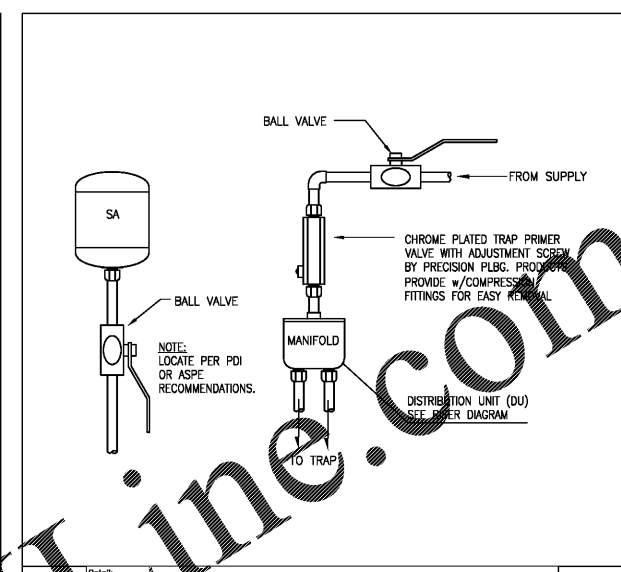
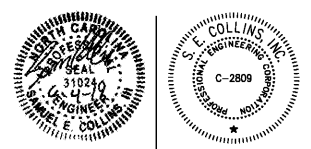


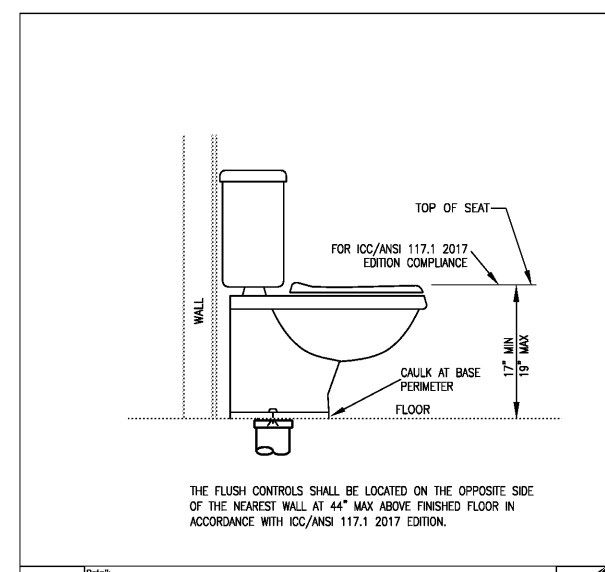
**PLUMBING
DETAILS**

REVISION #1 SCO 5/29/2019

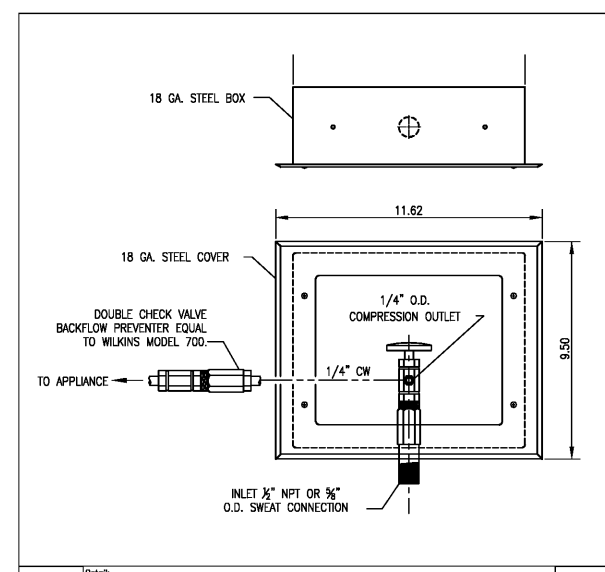
**HISTORIC
SPENCER
SHOPS
YARD OFFICE**



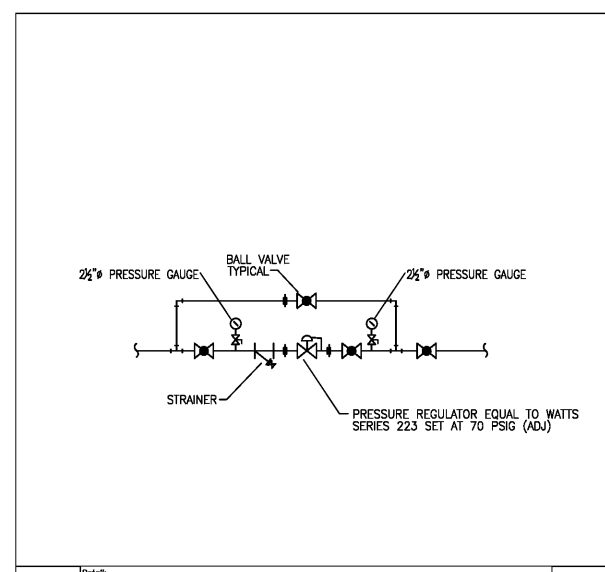
4 SHOCK ABSORBER AND TRAP PRIMER DETAIL
Scale: NONE



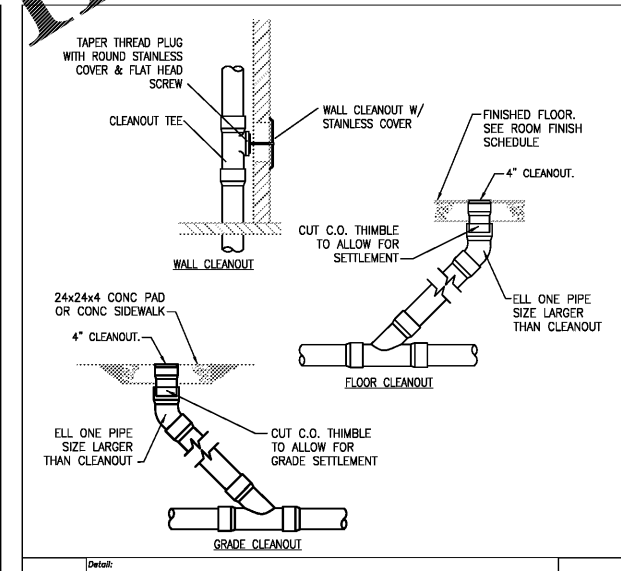
3 FLUSH TANK ADA WATER CLOSET DETAIL
Scale: NONE



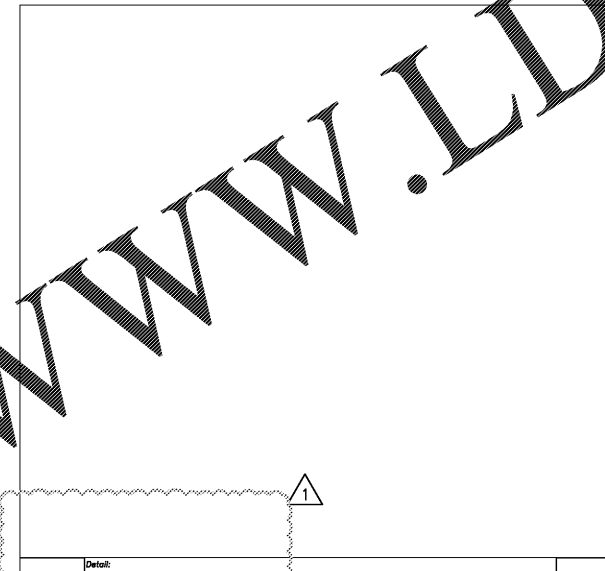
2 RECESSED COLD WATER CONNECTION
Scale: NONE



1 TYPICAL PRESSURE REGULATOR SCHEMATIC
Scale: NONE



8 CLEANOUT DETAILS
Scale: NONE



7 DETAIL OMITTED
Scale: NONE

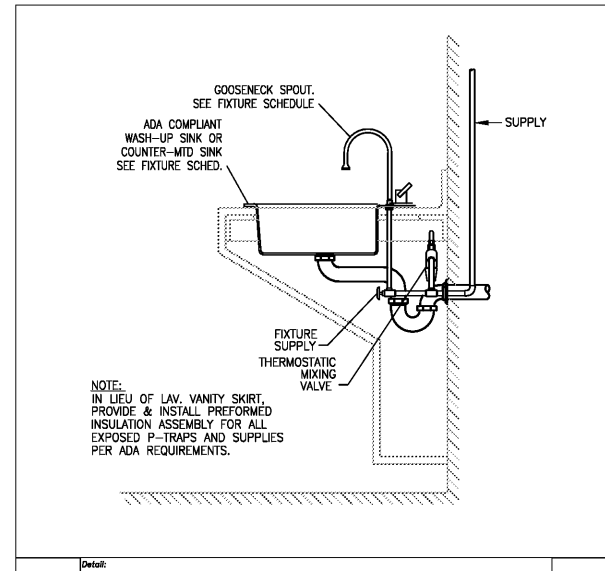
6 TYPICAL PIPE HANGER DETAIL

STRUCTURAL BEAM, FLOOR OR ROOF, STRUCTURE ANGLE, SIZE TO SUPPORT LOAD, NUT AND WASHER, GALVANIZED ROD, BEAM CLAMP WITH RETAINING CLIP AND LOCK NUT, FIG. 260, CLEVIS HANGER, SLEEVE

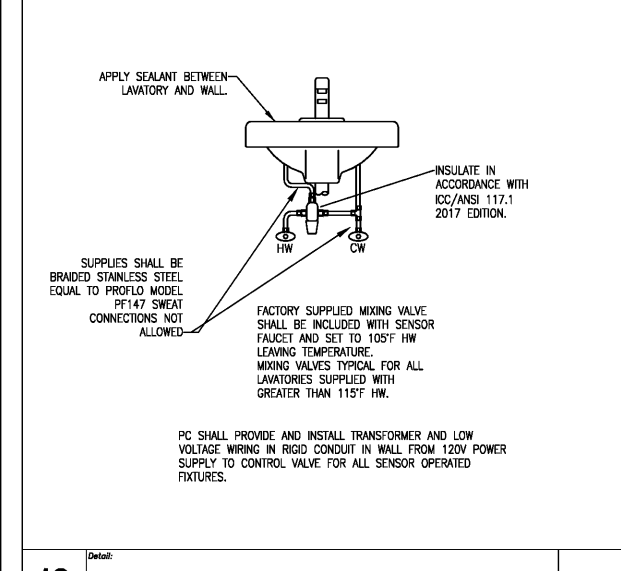
PIPE MATERIAL	MINIMUM HORIZONTAL SPACING (FEET)	MINIMUM VERTICAL SPACING (FEET)
ABS PIPE	4	10'
ALUMINUM PIPE AND TUBING	10	15
BRASS PIPE	10	10
BRASS TUBING 1/2" DIAMETER AND SMALLER	6	10
BRASS TUBING 1/2" DIAMETER AND LARGER	10	10
CAST-IRON PIPE*	5	15
COPPER OR COPPER-ALLOY PIPE	1.8	10
COPPER OR COPPER-ALLOY TUBING 1/2" DIAMETER OR SMALLER	6	10
COPPER OR COPPER-ALLOY TUBING 1/2" DIAMETER OR LARGER	10	10
CVC PIPE OR TUBING 1" AND SMALLER	3	10'
CVC PIPE OR TUBING 1 1/2" AND LARGER	4	10'
LEAD PIPE	CONTINUOUS	10'
PB PIPE OR TUBING	26 (32")	4
PEX TUBING	26 (32")	10'
POLYPROPYLENE (PP) PIPE OR TUBING 1" OR SMALLER	4	10'
POLYPROPYLENE (PP) PIPE OR TUBING 1 1/2" OR LARGER	4	10'
PVC PIPE	4	10'
STEEL TUBING	10	10
STEEL PIPE	15	15

* THE MAXIMUM HORIZONTAL SPACING OF CAST-IRON PIPE HANGERS SHALL BE DECREASED TO 10 FEET WHERE 10-FOOT LENGTHS OF PIPE ARE INSTALLED.
b. MID-STORY GUIDE.

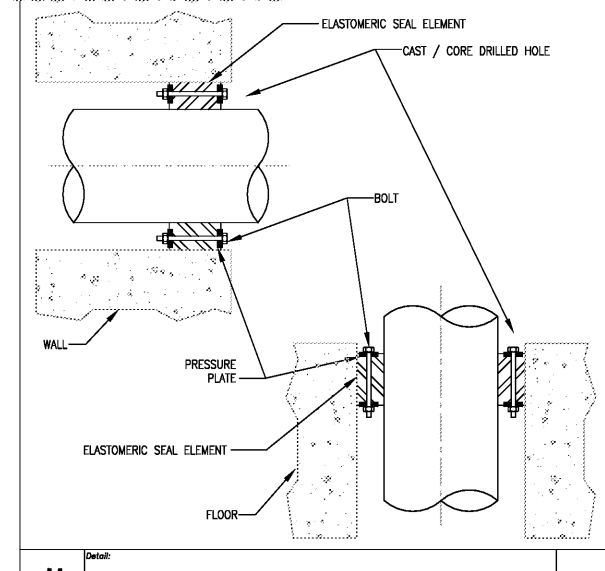
6 TYPICAL PIPE HANGER DETAIL
Scale: NONE



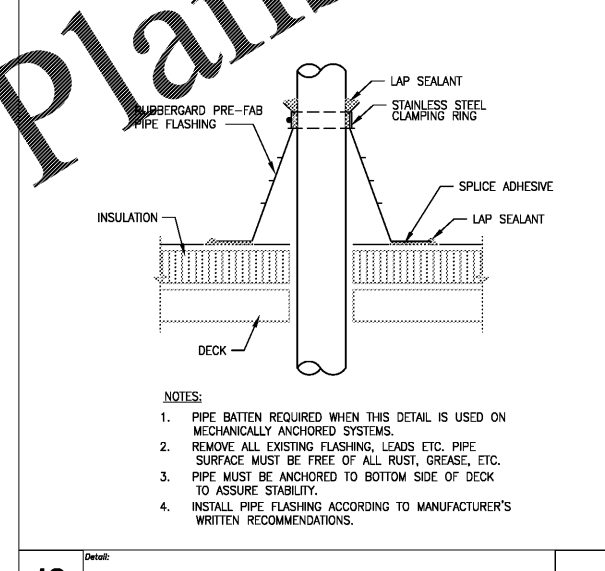
5 SINK COUNTER DETAIL
Scale: NONE



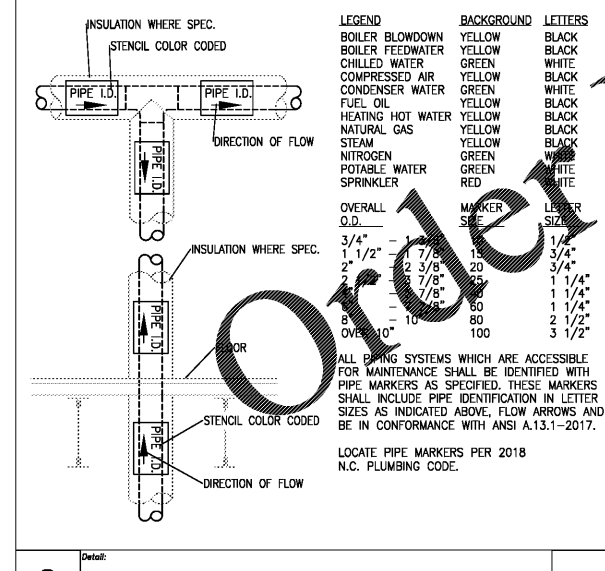
12 TYPICAL WALL MOUNT LAVATORY
Scale: NONE



11 LINK SEAL DETAIL
Scale: NONE



10 TYPICAL VENT (VTR) DETAIL
Scale: NONE



9 PIPE LABELING
Scale: NONE

6-Add to sub-18-144 years office vtrms:18144p201905 Tue, 5/29/2019 4:48

Order Plans

REMOVED DETAIL 7