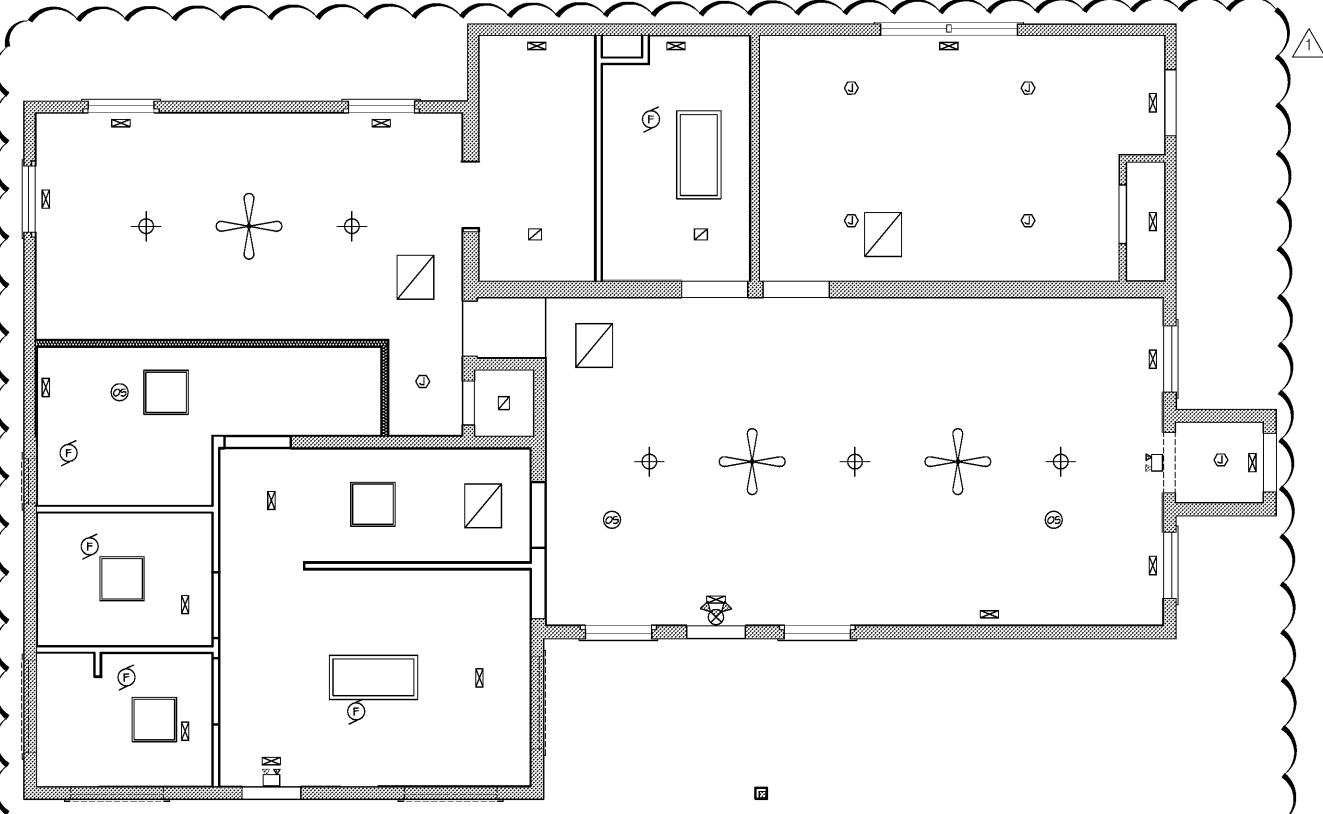


YARD OFFICE
**ENLARGED
TOILET PLANS**

ENLARGED PLAN
ACCESSORIES SCHEDULE
INTERIOR ELEVATIONS

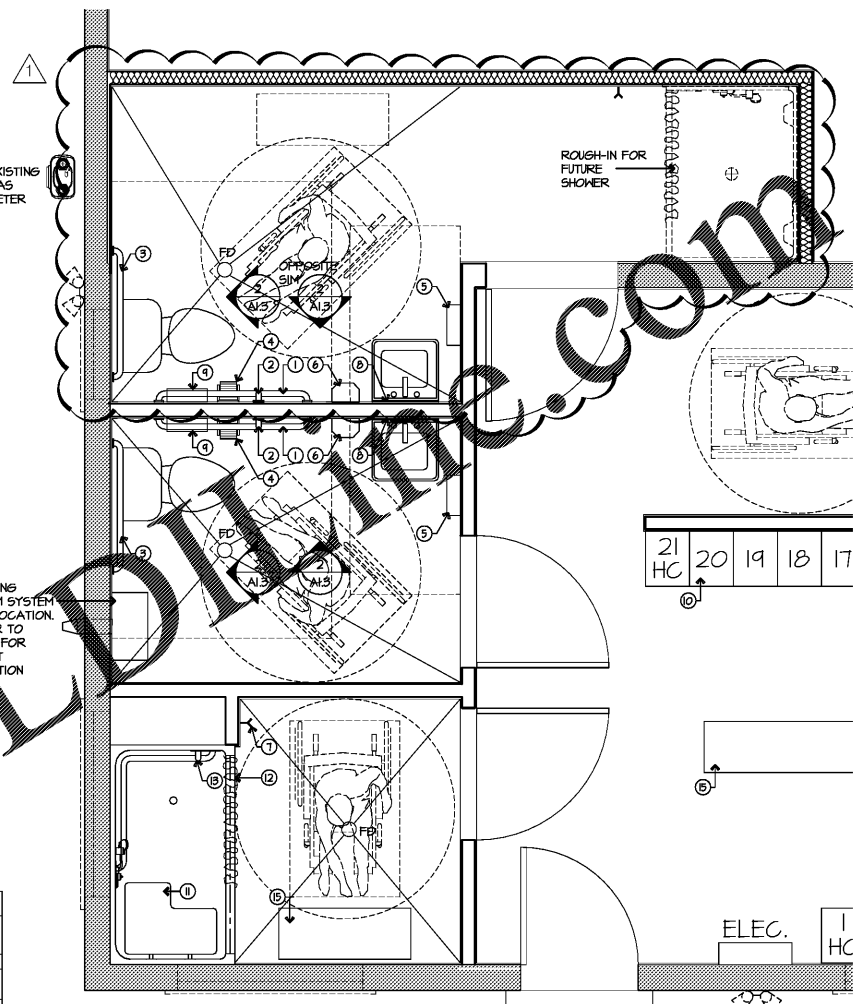


5 REFLECTED CEILING PLAN
A1.3 SCALE: 1/4"=1'-0"

RCP LEGEND	
SYMBOL	DESCRIPTION
⊙	CEILING MOUNTED OCCUPANCY SENSOR
□	2x4 LIGHT FIXTURE
□	2x2 LIGHT FIXTURE
⊕	COMBINATION EXIT SIGN/BATTERY LIGHT
⊖	EMERGENCY BATTERY LIGHT
⊕	CEILING FAN BY OWNER
⊕	PENDENT LIGHT BY OWNER
⊙	JUNCTION BOX FOR CEILING MOUNTED LIGHT FIXTURE
⊕	EXHAUST FAN BY MECHANICAL CONTRACTOR
⊕	SUPPLY AIR DIFFUSER
⊕	RETURN AIR DIFFUSER

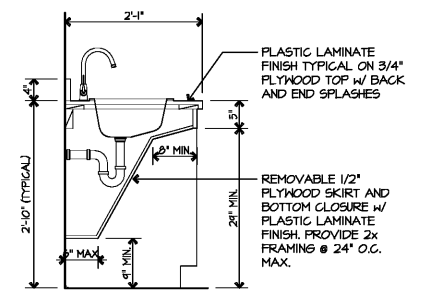
ID TAG	ITEM	DIMENSIONAL NOTES (STARTING FROM FLOOR TYP. UNO)	PROVIDED BY	INSTALLED BY
1	1 1/2" Ø HORIZONTAL GRAB BAR - 42" LENGTH	1'-1" TO 4" GRAB BAR	G.C.	G.C.
2	1 1/2" Ø VERTICAL GRAB BAR - 18" LENGTH	6" TO BOTTOM 4" GRAB BAR	G.C.	G.C.
3	1 1/2" Ø HORIZONTAL GRAB BAR - 36" LENGTH	2'-4" TO 4" GRAB BAR	G.C.	G.C.
4	TOILET TISSUE DISPENSER	2'-2" TO 4" DISPENSER	G.C.	G.C.
5	PAPER TOWEL DISPENSER	3'-6" TO 4" DISPENSER	G.C.	G.C.
6	SOAP DISPENSER	3'-4" TO BOTTOM	G.C.	G.C.
7	COAT HOOK	5'-0" MOUNTING HEIGHT	G.C.	G.C.
8	24x36 MIRROR	3'-4" TO BOTTOM	G.C.	G.C.
9	SANITARY NAPKIN DISPOSAL	2'-6" TO TOP OF UNIT	G.C.	G.C.
10	LOCKERS	2 TIER LOCKERS	OWNER	G.C.
11	ADA FOLDING SHOWER SEAT		G.C.	G.C.
12	SHOWER CURTAIN W/ ROD (LENGTH AS REQ'D)		G.C.	G.C.
13	HOR. & VERT. HC SHOWER GRAB BARS		G.C.	G.C.
14	NOT USED		G.C.	G.C.
15	BENCH		G.C.	G.C.

* CONTRACTOR SHALL BUILD 4" FRAME BASE FOR LOCKERS. APPLY CERAMIC BASE ON LOCKER BASE. TYPICAL

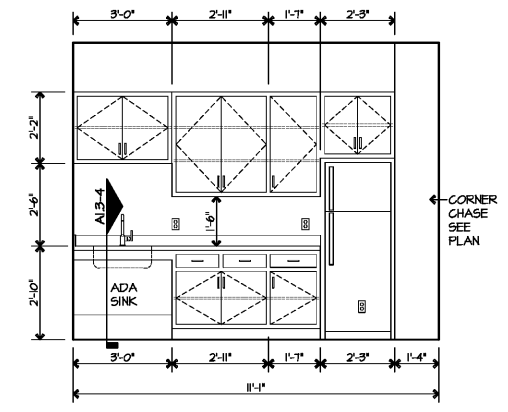


1 ENLARGED BATH ROOM PLAN
A1.3 SCALE: 1/2"=1'-0"

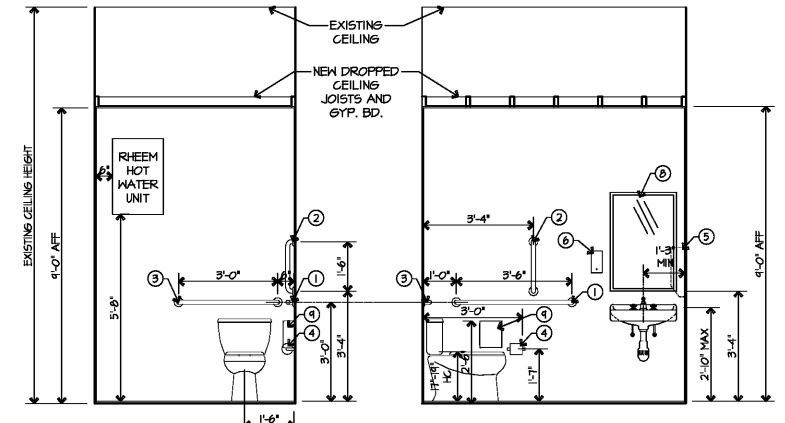
Order Plans @ WWW.LDOnline.com



4 ADA SINK SECTION
A1.3 SCALE: 3/4"=1'-0"



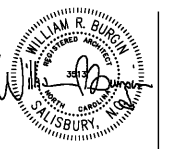
3 KITCHENET ELEVATION
A1.3 SCALE: 3/8"=1'-0"



2 BATH ROOM ELEVATION
A1.3 SCALE: 3/8"=1'-0"

REVISION #1 5/29/2019

**HISTORIC
SPENCER
SHOPS**
YARD OFFICE



FLC
DRAWN BY
MRB
CHECKED BY
APRIL 2014
SHT
9/22/1
CONS. NO.

SHEET NO.
A1.3
OF 3