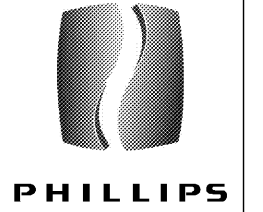
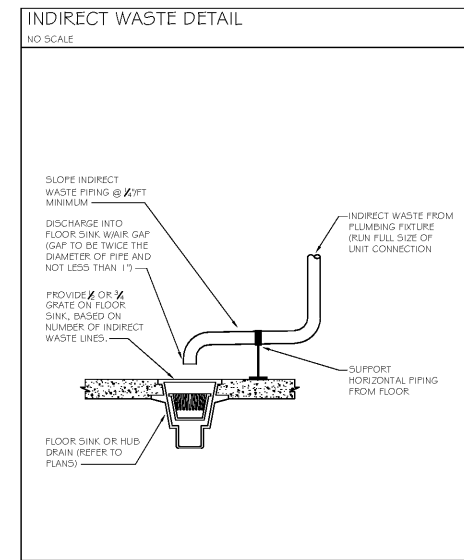
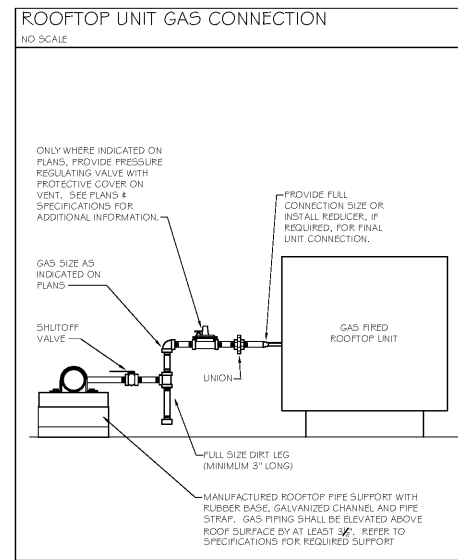
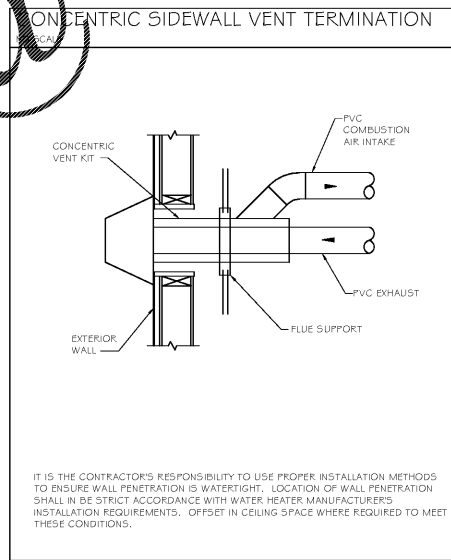
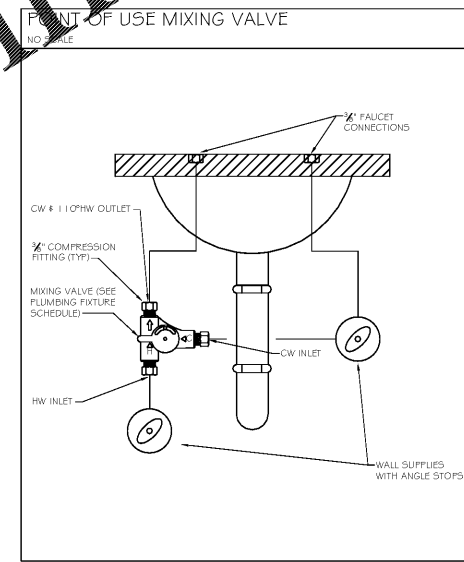
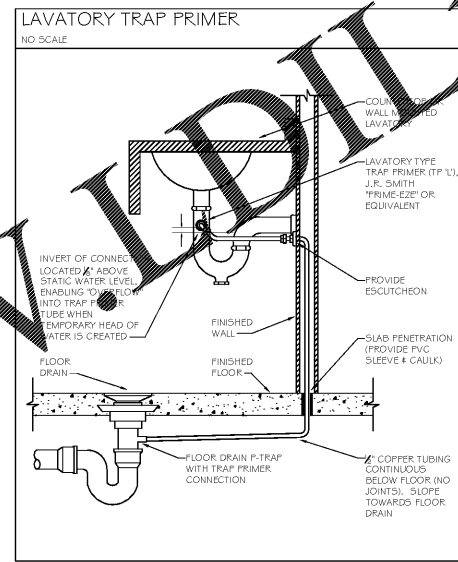
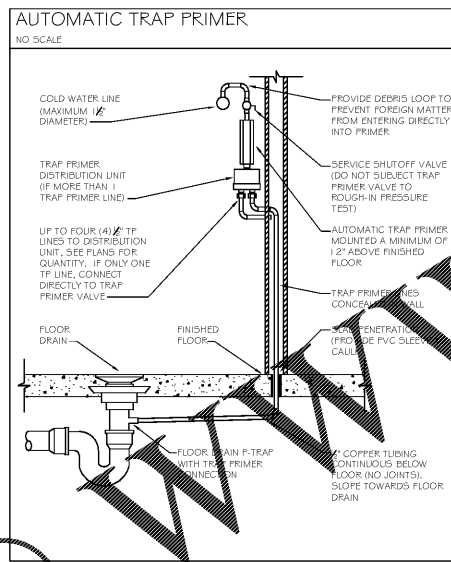
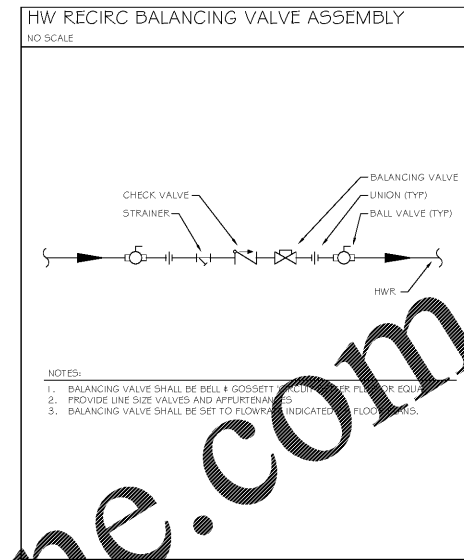
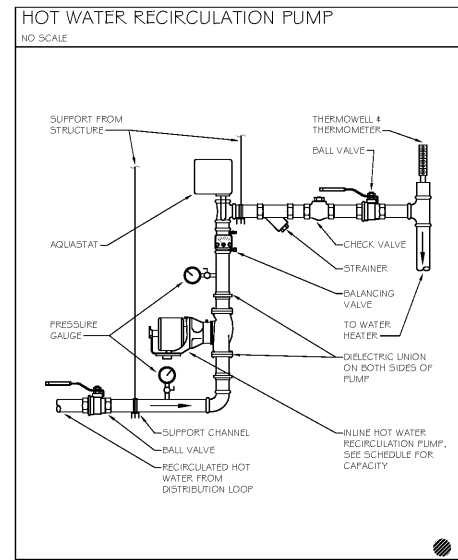
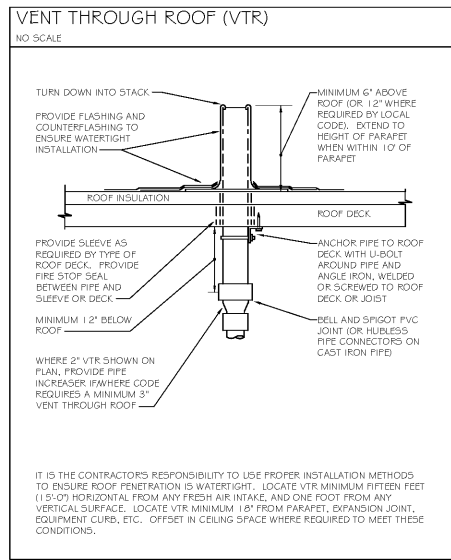


Order Plans @



KEYPLAN

CONSULTANT

**PROFICIENT ENGINEERING**  
6991 Peachtree Industrial Blvd Building 700  
Peachtree Corners, Georgia 30092  
404.330.9759  
PROJECT # 110288



ISSUE & REVISION RECORD

| #  | DATE       | DESCRIPTION           |
|----|------------|-----------------------|
| 06 | 06.10.2019 | 30% DESIGN REVIEW SET |
| 08 | 08.15.2019 | 80% REVIEW SET        |
| 08 | 08.23.2019 | PERMIT SET            |

This document is © Phillips Partnership, PC and is considered an instrument of service and is solely for use with respect to the project as indicated herein. All rights reserved. This document may not be reproduced without the prior written consent of Phillips Partnership, PC.

PROJECT

**Fairfield BY MARRIOTT INN & SUITES**  
DAWSONVILLE, GEORGIA

PROTOTYPE VERSION 2016  
REV 7.12.21.18

4 STORY, 92 UNITS  
w/ INDOOR POOL

FAIRFIELD DAWSON FOREST ROAD  
DAWSONVILLE, GA 30534

CLIENT

**RIMROCK COMPANIES**  
10000 RIVERSIDE AVE  
SUITE 32201  
JACKSONVILLE, FL 32204

PHILLIPS JOB NUMBER 1972101  
ISSUE DATE 08/23/2019  
DRAWN BY/CHECKED BY SA MR  
DRAWING TITLE DETAILS

SHEET NUMBER

**P-0.2**

5901 PEACHTREE DUNWOODY RD.  
BUILDING A, SUITE 450  
ATLANTA, GEORGIA 30328  
PHILLIPS PART.COM 770-394-1816