

PHILLIPS

KEYPLAN

CONSULTANT



PROFICIENT ENGINEERING
6991 Peachtree Industrial Blvd Building 700
Peachtree Corners, Georgia 30092
404.330.9798
PROJECT # 119298

SEAL



ISSUE & REVISION RECORD

#	DATE	DESCRIPTION
08	10/2019	30% DESIGN REVIEW SET
08	16/2019	90% REVIEW SET
08	23/2019	PERMIT SET

This document is the property of Phillips Partnership, PC and is considered an instrument of service and is to be used only for the project as indicated herein. All rights reserved. This document may not be reproduced without the prior written consent of Phillips Partnership, PC.

PROJECT

Fairfield BY MARRIOTT INN & SUITES

DAWSONVILLE, GEORGIA

PROTOTYPE VERSION 2016
REV 7 12-21-18

4 STORY, 92 UNITS
w/ INDOOR POOL

FAIRFIELD DAWSON FOREST ROAD
DAWSONVILLE, GA
30534

CLIENT

RIMROCK COMPANIES
10000 RIVERSIDE AVE
SUITE 32001
JACKSONVILLE, FL 32204

PHILLIPS JOB NUMBER 1972101

ISSUE DATE 08/23/2019

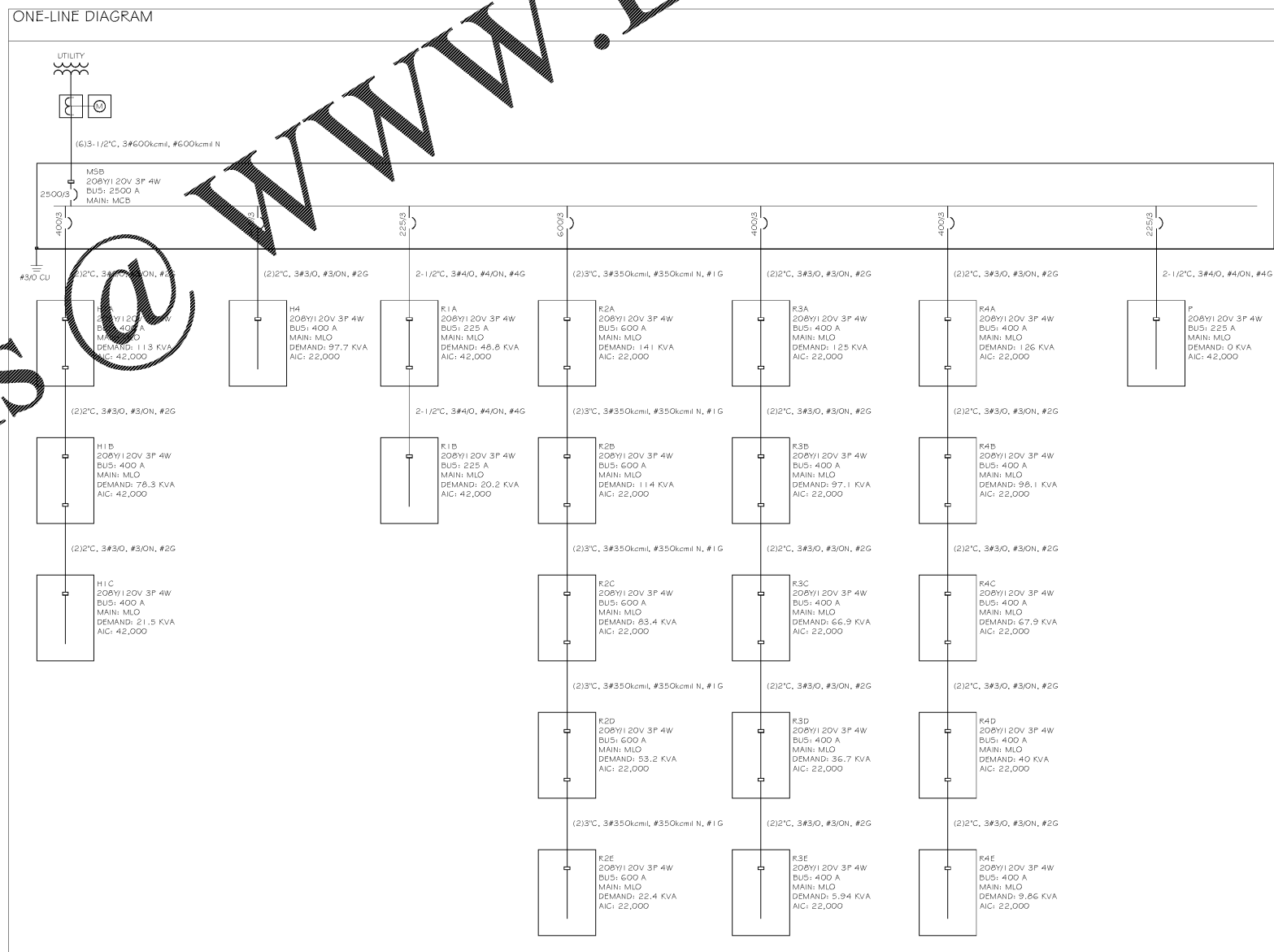
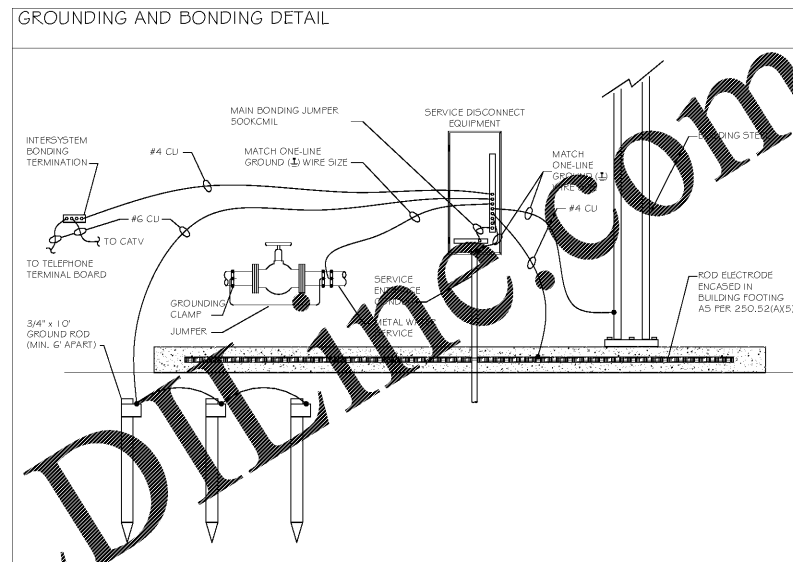
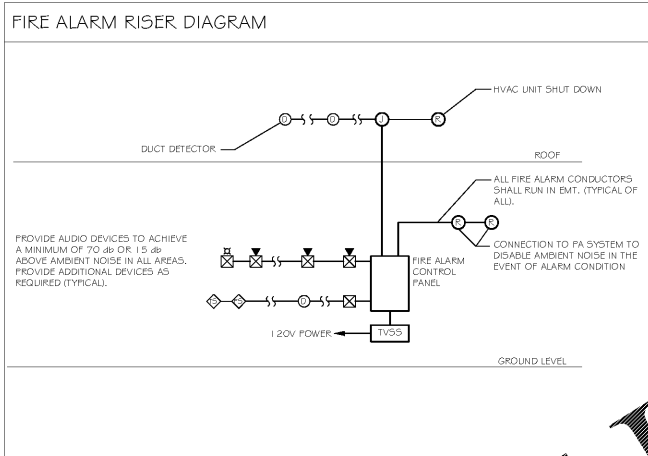
DRAWN BY/CHECKED BY AT/TK

DRAWING TITLE RISER DIAGRAM

SHEET NUMBER

E-0.2

5901 PEACHTREE DUNWOODY RD.
BUILDING A, SUITE 450
ATLANTA, GEORGIA 30328
PHILLIPS PART.COM 770-394-1616



FAULT CURRENT SCHEDULE

DEVICE	FAULT	AIC RATING	L-N	PHASE	UTILITY	F	R
UTILITY	39,293	100,000	120V		36,226	0.003248	0.0006496
H1	11,273	42,000	120V		29,663	0.00391	0.001039
H1A	11,273	42,000	120V		20,419	0.005479	0.002126
H1B	18,669	42,000	120V		18,669	0.005944	0.002448
H1C	18,669	42,000	120V		17,189	0.006408	0.002769
H4	10,564	22,000	120V		10,316	0.01028	0.005448
R1A	24,047	42,000	120V		22,356	0.004805	0.002393
R1B	24,331	42,000	120V		22,481	0.004786	0.002364
R2A	21,012	42,000	120V		19,610	0.005274	0.003103
R2B	19,026	22,000	120V		17,516	0.006008	0.003292
R2C	18,019	22,000	120V		16,613	0.006275	0.003578
R2D	17,164	22,000	120V		15,861	0.006519	0.00384
R2E	16,278	22,000	120V		15,092	0.006793	0.004133
R3A	14,977	22,000	120V		13,974	0.007242	0.004615
R3B	13,455	22,000	120V		12,344	0.008693	0.004351
R3C	12,650	22,000	120V		11,607	0.009206	0.004706
R3D	11,380	22,000	120V		11,010	0.009671	0.005028
R3E	11,278	22,000	120V		10,399	0.0102	0.005395
R4A	10,708	22,000	120V		9,916	0.01067	0.005717
R4B	11,695	22,000	120V		10,685	0.009945	0.005218
R4C	11,141	22,000	120V		10,176	0.01041	0.00554
R4D	10,573	22,000	120V		9,671	0.01092	0.005892
R4E	10,090	22,000	120V		9,252	0.01138	0.006214
R4E	8,611	22,000	120V		7,990	0.01308	0.007386

Order Plans @ www.LDOnline.com