

PHILLIPS

KEYPLAN

CONSULTANT



DEL VALLE + MCNEIL, LLC  
Structural Engineers  
www.dvmstructural.com  
404.369.0058  
Project No. 19-201027  
GA COA #: PEF007235

SEAL

ISSUE & REVISION RECORD

#	DATE	DESCRIPTION

This document is the property of Phillips Partnership, P.C. and is considered an instrument of service and is loaned for use with regard to the project as indicated below. All rights reserved. This document may not be reproduced without the prior written consent of Phillips Partnership, P.C.

PROJECT

Fairfield  
BY MARRIOTT  
INN & SUITES

DAWSONVILLE, GEORGIA

PROTOTYPE VERSION 2016  
REV 7 12-01-18

4 STORY, 92 UNITS  
w/ INDOOR POOL

FAIRFIELD  
DAWSON FOREST ROAD  
DAWSONVILLE, GA  
30534

CLIENT

RIMROCK COMPANIES  
10000 RIVERSIDE AVE  
SUITE 3201  
JACKSONVILLE, FL 32204

PHILLIPS JOB NUMBER: 1972101

ISSUE DATE: 08/23/2019

DRAWN BY/CHECKED BY: GHWT/IDV

DRAWING TITLE

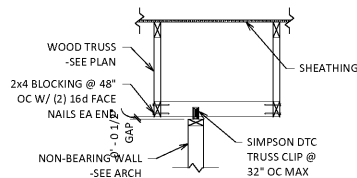
TYPICAL WOOD  
FRAMING DETAILS

SHEET NUMBER

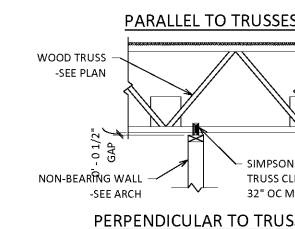
S-4.1

5901 PEACHTREE DUNWOODY RD.  
BUILDING A, SUITE 450  
ATLANTA, GEORGIA 30328

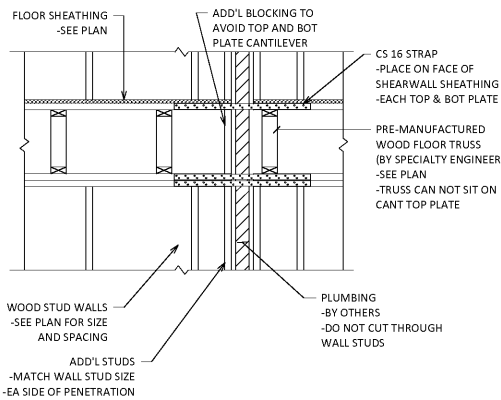
PHILLIPSPART.COM 770.394.1616



17 NON-BEARING PARTITION WALL DETAIL  
3/4" = 1'-0"



18 PLATE STRAPPING AT SHEARWALL PLUMBING PENETRATIONS  
3/4" = 1'-0"

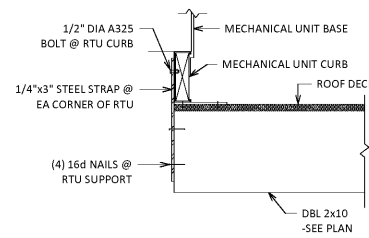


STUD SIZE	MAX DEPTH OF EDGE CUT OR NOTCH	MIN DEPTH REMAINING AFTER CUT OR NOTCH
2x4	1 3/8"	2 1/8"
2x6	2 3/16"	3 3/8"

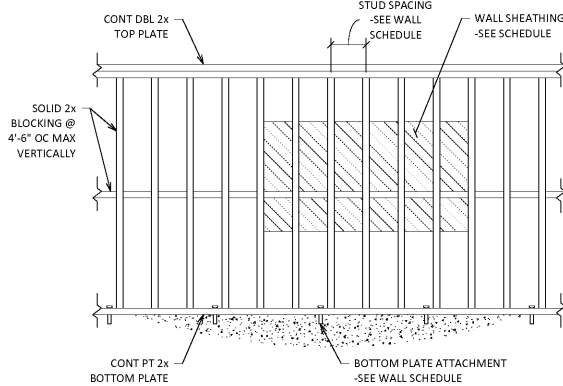
CUTTING AND NOTCHING WOOD STUDS

NOTE  
DO NOT NOTCH MORE THAN THREE ADJACENT STUDS WITHOUT REVIEW BY ENGINEER.

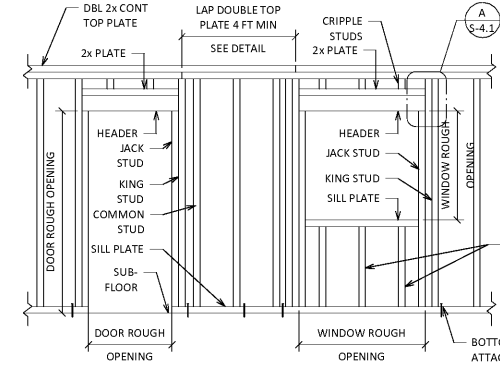
20 HOLES AND NOTCHES IN WOOD STUDS  
1 1/2" = 1'-0"



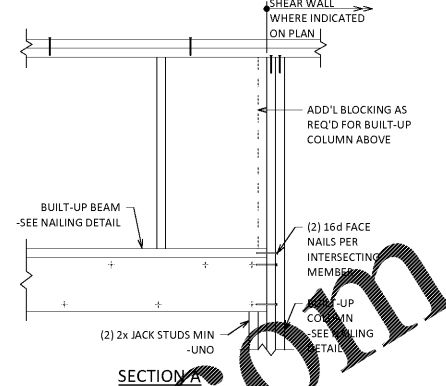
13 RTU HOLD-DOWN DETAIL  
3/4" = 1'-0"



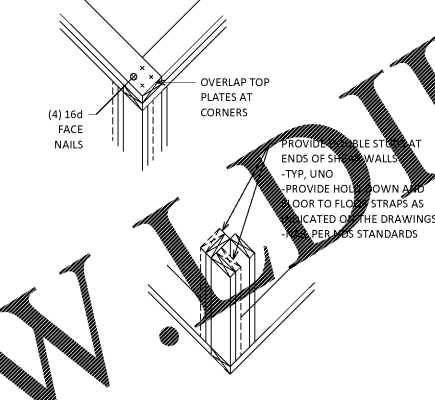
9 WOOD STUD WALL CONSTRUCTION  
3/4" = 1'-0"



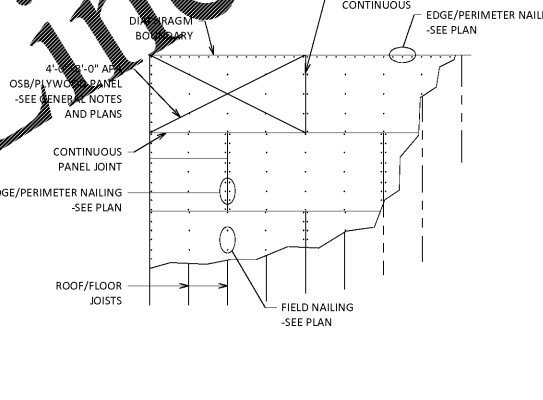
5 OPENING IN LOAD BEARING WALL  
3/4" = 1'-0"



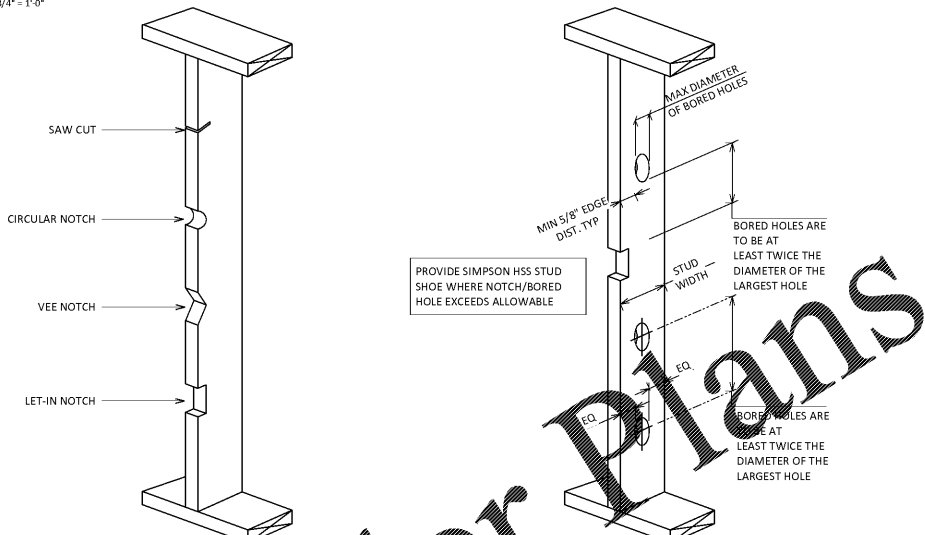
2 PARTIAL ROOF & FLOOR PLAN NAILING PATTERN AT DIAPHRAGM  
3/4" = 1'-0"



10 WOOD FRAMED OPENING DETAIL  
3/4" = 1'-0"



6 2X CORNER FRAMING DETAILS  
3/4" = 1'-0"

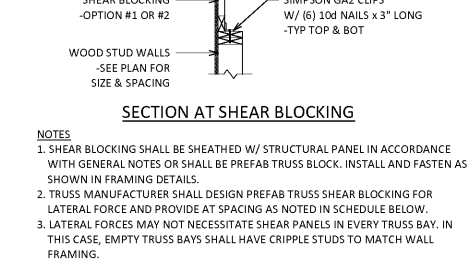
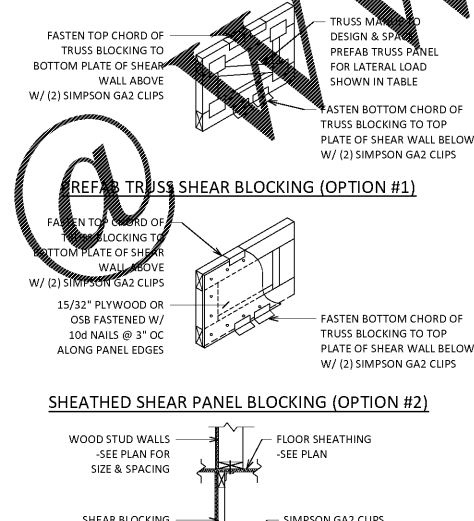


STUD SIZE	MAX DEPTH OF BORED HOLE	MIN DEPTH REMAINING AFTER BORED HOLE
2x4	1 3/8"	5/8" EACH SIDE OF HOLE
2x6	2 3/16"	5/8" EACH SIDE OF HOLE

STUD SIZE	MAX DEPTH OF BORED HOLE	MIN DEPTH REMAINING AFTER BORED HOLE
2x4	2 1/16"	5/8" EACH SIDE OF HOLE
2x6	3 1/4"	5/8" EACH SIDE OF HOLE

BORED HOLES IN WOOD STUDS

NOTE  
BORED HOLE NOT PERMITTED IN MORE THAN THREE ADJACENT STUDS WITHOUT REVIEW BY ENGINEER.

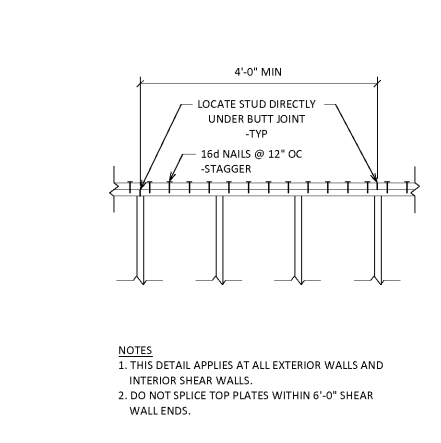
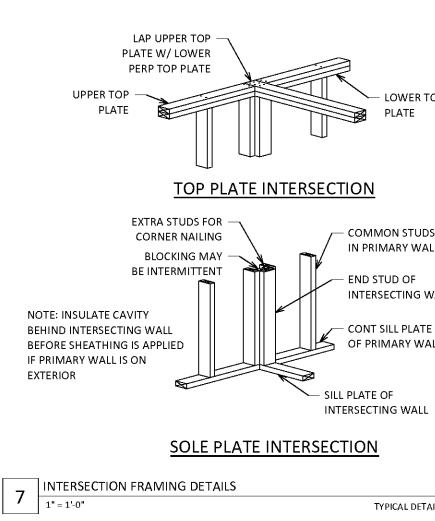


SECTION AT SHEAR BLOCKING

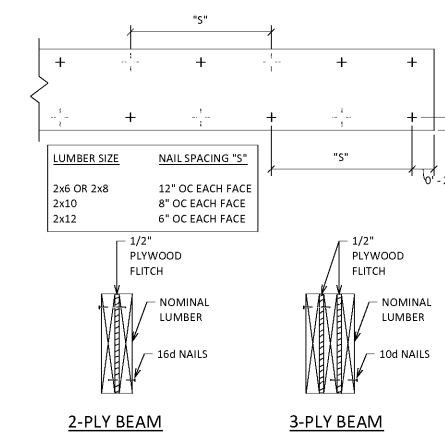
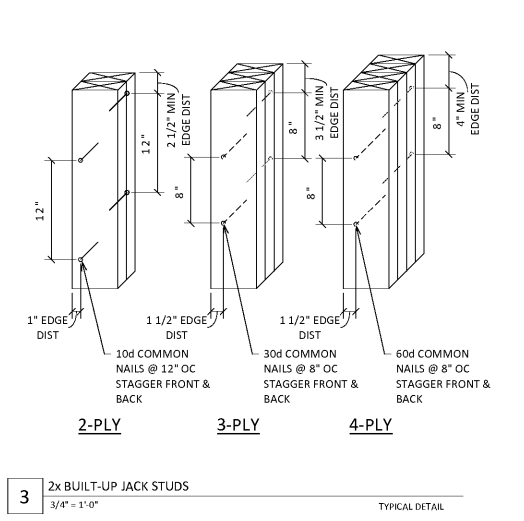
NOTES  
1. SHEAR BLOCKING SHALL BE SHEATHED W/ STRUCTURAL PANEL IN ACCORDANCE WITH GENERAL NOTES OR SHALL BE PREFAB TRUSS BLOCK. INSTALL AND FASTEN AS SHOWN IN FRAMING DETAILS.  
2. TRUSS MANUFACTURER SHALL DESIGN PREFAB TRUSS SHEAR BLOCKING FOR LATERAL FORCE AND PROVIDE AT SPACING AS NOTED IN SCHEDULE BELOW.  
3. LATERAL FORCES MAY NOT NECESSITATE SHEAR PANELS IN EVERY TRUSS BAY. IN THIS CASE, EMPTY TRUSS BAYS SHALL HAVE CRIPPLE STUDS TO MATCH WALL FRAMING.

SHEAR WALL TYPE	TRUSS FORCE (LBS)	SPACING
A	1100	EACH BAY
B	1100	EACH BAY
C	800	EACH BAY
D	800	ALTERNATE BAYS
E	800	EVERY 4TH BAY
F	800	EVERY 4TH BAY

12 SHEAR PANEL BLOCKING  
3/4" = 1'-0"



8 TOP PLATE LAP SPICE DETAIL  
3/4" = 1'-0"



4 BUILT-UP BEAM DETAIL  
1 1/2" = 1'-0"

Order Plans

WWW.LODDLINE.COM