

PHILLIPS

KEY PLAN

CONSULTANT

SEAL

ISSUE & REVISION RECORD

#	DATE	DESCRIPTION

This document is © Phillips Perimeter, P.C. and is considered an instrument of Service and is solely for use with respect to the project as indicated herein. All rights reserved. This document may not be reproduced without the prior written consent of Phillips Perimeter, P.C.

PROJECT

Fairfield
BY MARRIOTT
INN & SUITES

DAWSONVILLE, GEORGIA

PROTOTYPE VERSION 2016
REV 7/12-21-16

4 STORY, 92 UNITS
w/ INDOOR POOL

FAIRFIELD
DAWSON FOREST ROAD
DAWSONVILLE, GA
30534

CLIENT

RIMROCK COMPANIES
10000 RIVERSIDE AVE
SUITE 33201
JACKSONVILLE, FL 32204

PHILLIPS JOB NUMBER 1972101

ISSUE DATE 08/23/2019

DRAWN BY/CHECKED BY Author / Checker

DRAWING TITLE

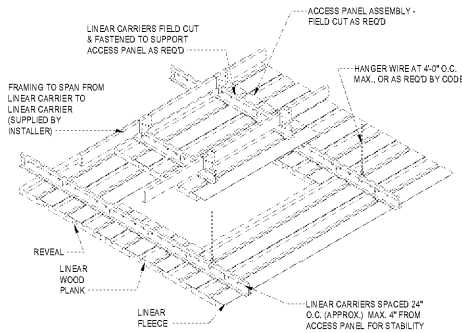
CEILING DETAILS

SHEET NUMBER

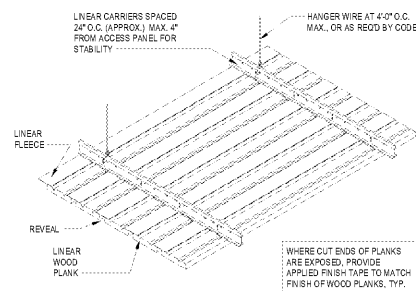
A-3.3

5901 PEACHTREE DUNWOODY RD.
BUILDING A, SUITE 450
ATLANTA, GEORGIA 30328

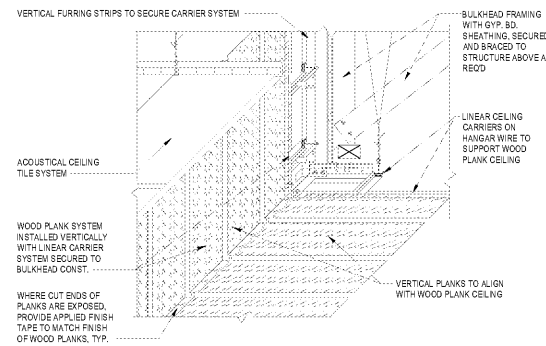
PHILLIPSPART.COM 776-394-1616



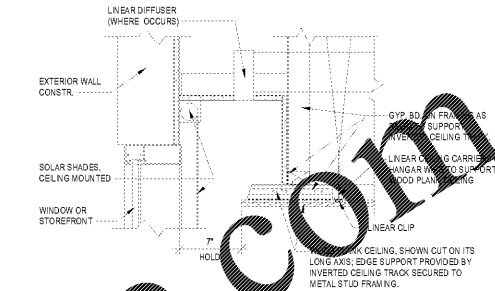
13 ACCESS PANEL - WOOD PLANK CEILING
A-3.3 3/4" = 1'-0"



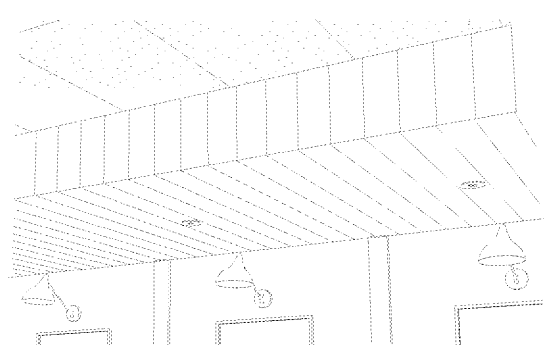
12 WOOD PLANK CEILING SYSTEM
A-3.3 3/4" = 1'-0"



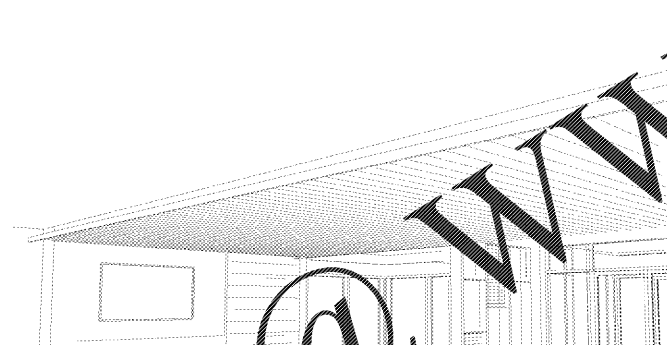
9 3-D DETAIL BULKHEAD AT BREAKFAST ROOM
A-3.3 1 1/2" = 1'-0"



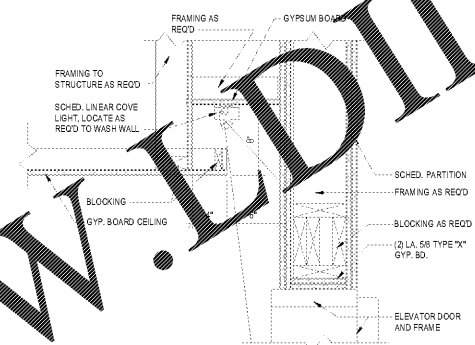
7 DRAPERY POCKET DETAIL AT CEILING
A-3.3 1 1/2" = 1'-0"



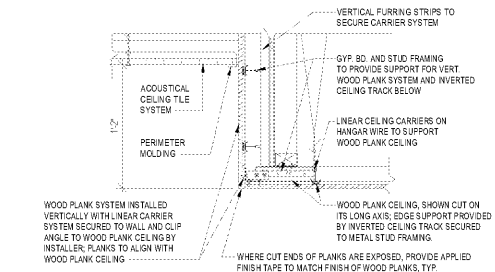
14 3-D VIEW - BULKHEAD @BANQUETTE
A-3.3 6" = 1'-0"



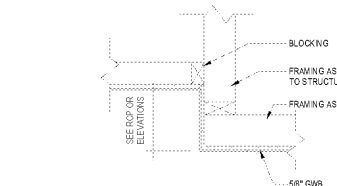
10 CEILING EDGE
A-3.3 6" = 1'-0"



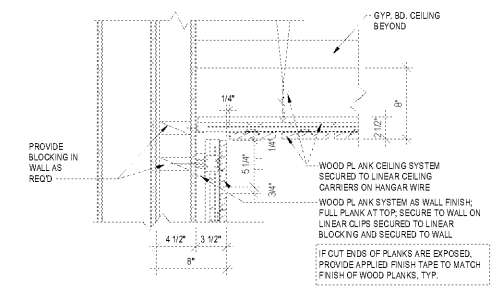
8 LIGHT COVE @ ELEVATOR
A-3.3 1 1/2" = 1'-0"



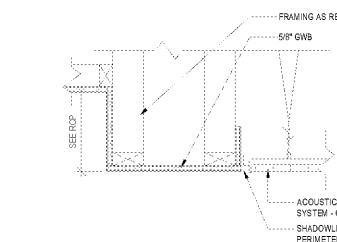
3 WOOD PLANK SOFFIT @ BREAKFAST ROOM
A-3.3 1 1/2" = 1'-0"



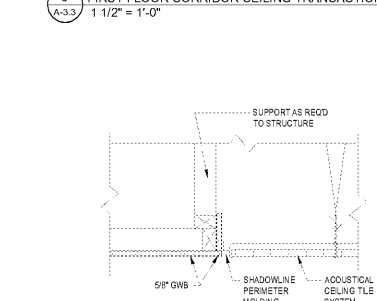
7 SOFFIT DETAIL @ GYP. BD. CEILING
A-3.3 1 1/2" = 1'-0"



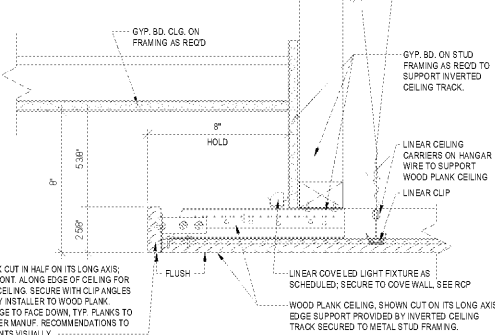
2 WOOD PLANK CEILING DETAIL @ WELCOME DESK
A-3.3 1 1/2" = 1'-0"



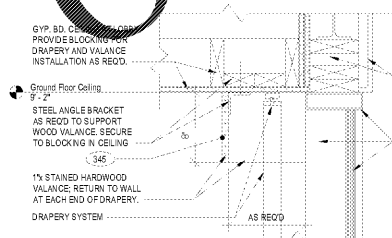
6 FIRST FLOOR CORRIDOR CEILING TRANSACTION
A-3.3 1 1/2" = 1'-0"



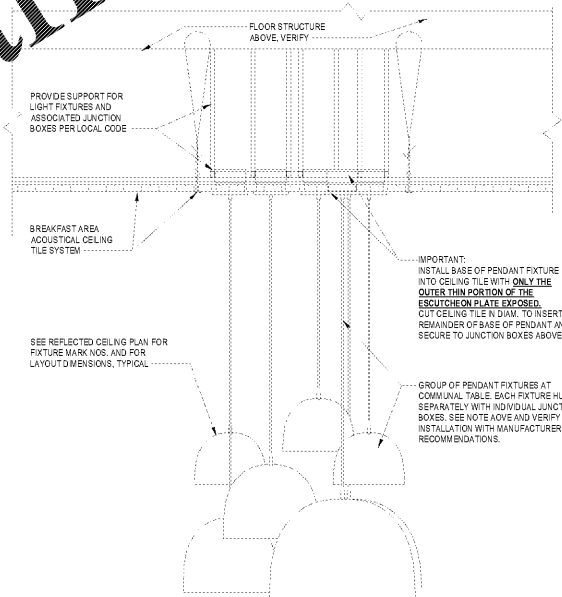
5 TYPICAL CORRIDOR CEILING DETAIL
A-3.3 1 1/2" = 1'-0"



1 EDGE DETAIL AT WOOD PLANK CEILING
A-3.3 3" = 1'-0"



15 LOBBY DRAPERY - WOOD VALANCE DETAIL
A-3.3 1 1/2" = 1'-0"



10 PENDANT LIGHT FIXTURES AT COMMUNAL TABLE
A-3.3 1 1/2" = 1'-0"

Order Plans @

www.IDLine.com