

PHILLIPS

KEYPLAN _____

CONSULTANT _____

SEAL _____

ISSUE & REVISION RECORD

#	DATE	DESCRIPTION

This document is the property of Phillips Partnership, P.C. and is considered an Instrument of Service and is solely for use with respect to the project as indicated herein. All rights reserved. This document may not be reproduced without the prior written consent of Phillips Partnership, P.C.

PROJECT _____

Fairfield
BY MARRIOTT
INN & SUITES

DAWSONVILLE, GEORGIA

PROTOTYPE VERSION 2016

REV 17-21-18

4 STORY, 92 UNITS
w/ INDOOR POOL

FAIRFIELD
DAWSON FOREST ROAD
DAWSONVILLE, GA
30534

CLIENT _____

RIMROCK COMPANIES
10000 RIVERSIDE AVE
SUITE 3201
JACKSONVILLE, FL 32204

PHILLIPS JOB NUMBER 1972101

ISSUE DATE 08/23/2019

DRAWN BY/CHECKED BY 2S/JU

DRAWING TITLE

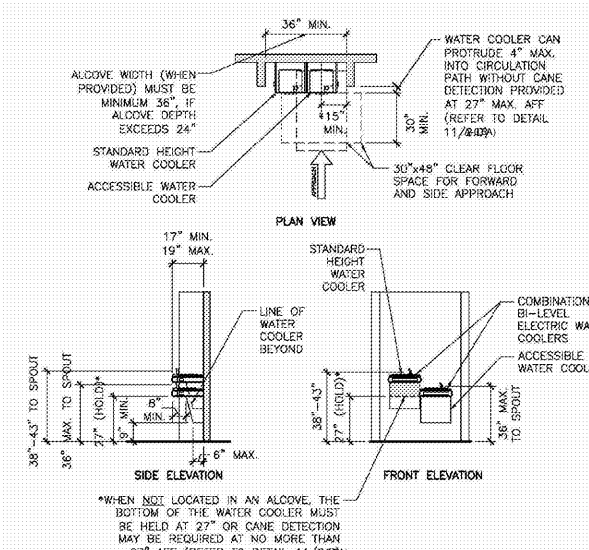
ACCESSIBILITY DETAILS
- PLUMBING FIXTURES

SHEET NUMBER

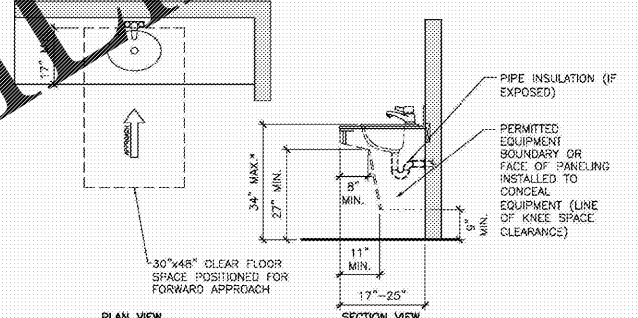
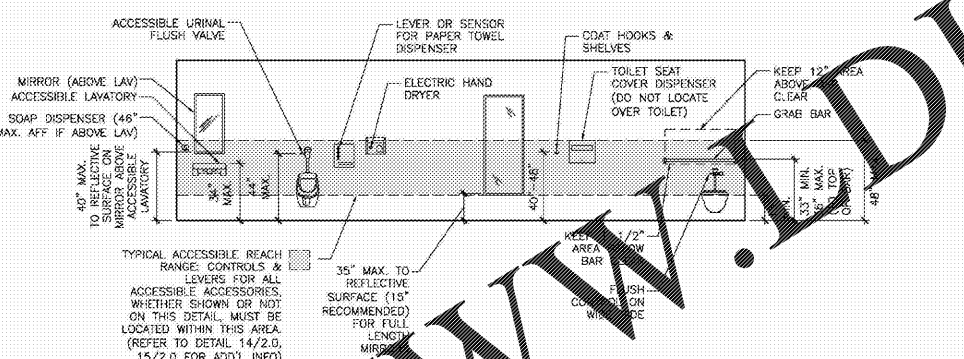
A-0.5C

5901 PEACHTREE DUNWOODY RD.
BUILDING A, SUITE 450
ATLANTA, GEORGIA 30328
PHILLIPSPART.COM 770.394.1616

www.DIYline.com



- NOTES:
1. THE CLEAR FLOOR SPACE REQUIRED FOR FORWARD APPROACH SHALL BE CENTERED ON THE UNIT AND SHALL INCLUDE KNEE AND TOE CLEARANCE (REFER TO DETAILS 9/200A TO 9/200D).
 2. OPERABLE PARTS SHALL BE OPERABLE WITH ONE HAND AND SHALL NOT REQUIRE TIGHT GRASPING, PINCHING, OR TWISTING OF THE WRIST. THE FORCE REQUIRED TO ACTIVATE OPERABLE PARTS SHALL BE 5 POUNDS MAXIMUM.
 3. THE SPOUT SHALL BE LOCATED 15" MAXIMUM FROM THE VERTICAL SUPPORT AND 5" MAXIMUM FROM THE FRONT EDGE OF THE UNIT, INCLUDING BUMPERS.
 4. THE SPOUT SHALL PROVIDE A FLOW OF WATER 4" HIGH MINIMUM AND SHALL BE LOCATED 8" MAXIMUM FROM THE FRONT OF THE UNIT. THE ANGLE OF THE WATER STREAM SHALL BE MEASURED HORIZONTALLY RELATIVE TO THE FRONT FACE OF THE UNIT, WHERE SPOUTS ARE LOCATED LESS THAN 3" FROM THE FRONT OF THE UNIT, THE ANGLE OF THE WATER STREAM SHALL BE 30" MAXIMUM. WHERE SPOUTS ARE LOCATED BETWEEN 3" AND 9" MAXIMUM FROM THE FRONT OF THE UNIT, THE ANGLE OF THE WATER STREAM SHALL BE 15" MAXIMUM.

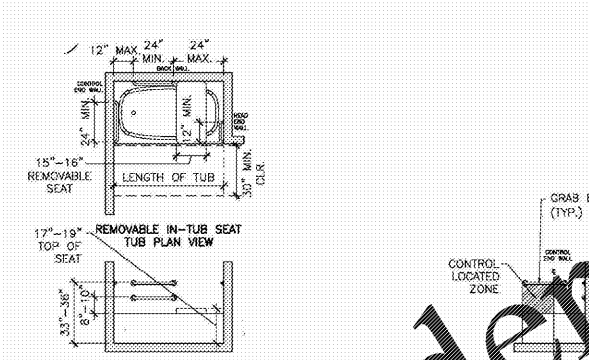


- NOTES:
1. A CLEAR FLOOR SPACE, POSITIONED FOR FORWARD APPROACH, AND KNEE AND TOE CLEARANCE SHALL BE PROVIDED (REFER TO DETAILS 9/200A TO 9/200D).
 2. THE FRONT OF SINKS SHALL BE 34" MAXIMUM ABOVE THE FLOOR, MEASURED TO THE FIXTURE RIM OR COUNTER SURFACE, WHICHEVER IS HIGHER.
 3. HAND-OPERATED, SELF-CLOSING FAUCETS SHALL REMAIN OPEN FOR 10 SECONDS MINIMUM.
 4. WATER SUPPLY AND DRAIN PIPES UNDER SINKS SHALL BE INSULATED OR OTHERWISE CONFIGURED TO PROTECT AGAINST CONTACT. THERE SHALL BE NO SHARP OR ABRASIVE SURFACES UNDER SINKS.
 5. OPERABLE PARTS SHALL BE OPERABLE WITH ONE HAND AND SHALL NOT REQUIRE TIGHT GRASPING, PINCHING, OR TWISTING OF THE WRIST. THE FORCE REQUIRED TO ACTIVATE OPERABLE PARTS SHALL BE 5 POUNDS MAXIMUM.

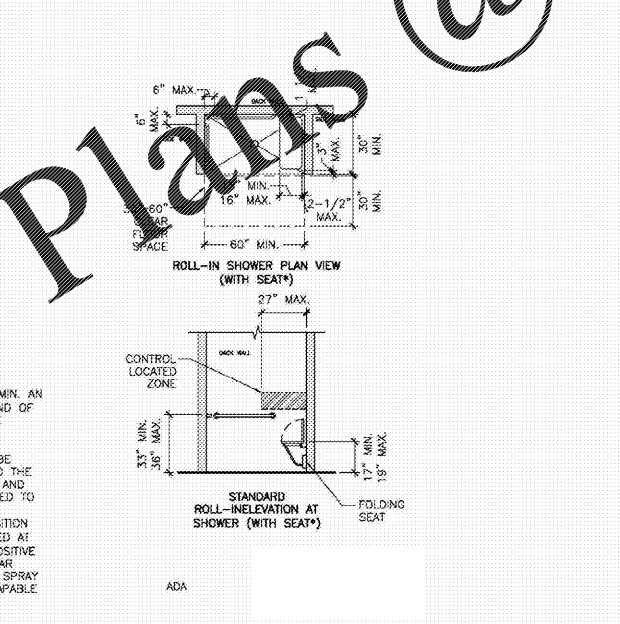
1 DRINKING FOUNTAIN & ALCOVE DETAIL 1/4" = 1'-0"

2 TOILET & BATH ROOM ACCESSIBLE ACCESSORY MOUNTING HEIGHTS 1/4" = 1'-0"

3 ACCESSIBLE SINK AND COUNTERTOP DETAIL 1/2" = 1'-0"



- NOTES:
1. CLEARANCE IN FRONT OF BATHTUBS SHALL EXTEND THE LENGTH OF THE TUBS. TUBS SHALL BE 30" WIDE MIN. AN ACCESSIBLE LAVATORY (WITH KNEE & TOE CLEARANCE) SHALL PERMIT ENTRY AT THE CONTROL END OF THE CLEARANCE. WHERE PERMANENT SEAT IS PROVIDED AT THE END OF THE BATHTUB, THE CLEARANCE SHALL EXTEND 12" MIN. BEYOND THE END WALL AT THE END OF THE BATHTUB.
 2. A PERMANENT OR A REMOVABLE IN-TUB SEAT SHALL BE PROVIDED.
 3. CONTROLS, OTHER THAN DRAWN COPPERS, SHALL BE LOCATED ON END WALL. CONTROLS SHALL BE BETWEEN THE BATHTUB RIM AND GRAB BAR, AND BETWEEN THE OPEN SIDE OF THE BATHTUB AND THE CENTERLINE OF THE WIDTH OF THE TUB. OPERABLE PARTS SHALL BE OPERABLE WITH ONE HAND AND SHALL NOT REQUIRE TIGHT GRASPING, PINCHING, OR TWISTING OF THE WRIST. THE FORCE REQUIRED TO ACTIVATE OPERABLE PARTS SHALL BE 5 POUNDS MAXIMUM.
 4. A SHOWER SPRAY UNIT WITH A HOSE 60" LONG MIN. THAT CAN BE USED BOTH AS A FIXED-POSITION SHOWER HEAD AND AS A HAND-HELD SHOWER SHALL BE PROVIDED (WITH THE CONTROLS LOCATED AT 48" MAXIMUM AFF). THE SHOWER SPRAY UNIT SHALL HAVE AN ON/OFF CONTROL WITH A NON-POSITIVE SHUT-OFF. IF AN ADJUSTABLE-HEIGHT SHOWER HEAD ON A VERTICAL GRAB BAR IS USED, THE BAR SHALL BE INSTALLED SO AS TO NOT OBSTRUCT THE USE OF THE GRAB BARS. BATHTUB SHOWER SPRAY UNITS SHALL DELIVER WATER THAT IS 120" MAX. HAND-HELD SHOWER SPRAY UNITS SHALL BE CAPABLE OF DELIVERING WATER PRESSURE SUBSTANTIALLY EQUIVALENT TO FIXED SHOWER HEADS.
 5. GRAB BARS SHALL BE PROVIDED (REFER TO LOCATIONS ON PLANS AND ELEVATIONS).



9 ACCESSIBLE GUEST ROOM ROLL-IN TYPE SHOWER WITH SEAT COMPARTMENT DETAIL 1/4" = 1'-0"

- ROLL-IN TYPE SHOWER NOTES:
1. ROLL-IN-TYPE SHOWER COMPARTMENTS SHALL BE 30" WIDE MIN. BY 80" DEEP MIN. CLEAR INSIDE DIMENSIONS MEASURED AT THE CENTER POINTS OF OPPOSING SIDES AND SHALL HAVE A MINIMUM 60" WIDE MIN. ENTRY ON THE FACE OF THE SHOWER COMPARTMENT.
 2. A 30" WIDE MIN. BY 80" LONG MIN. CLEARANCE SHALL BE PROVIDED ADJACENT TO THE OPEN FACE OF THE SHOWER COMPARTMENT. AN ACCESSIBLE LAVATORY (WITH KNEE & TOE CLEARANCE) SHALL BE PERMITTED ONE ON 30" WIDE MINIMUM SIDE OF THE CLEARANCE PROVIDED THAT IT IS NOT ON THE SIDE OF THE CLEARANCE ADJACENT TO THE CONTROLS OR, WHERE PROVIDED, NOT ON THE SIDE OF THE CLEARANCE ADJACENT TO THE SHOWER SEAT.
 3. AN ACCESSIBLE LAVATORY SHALL BE PERMITTED ON ONE 30" WIDE MIN. SIDE OF THE CLEARANCE PROVIDED THAT IT IS NOT ON THE SIDE OF THE CLEARANCE ADJACENT TO THE CONTROLS OR, WHERE PROVIDED, NOT ON THE SIDE OF THE CLEARANCE ADJACENT TO THE SHOWER SEAT.
 4. SEATS MUST BE PROVIDED IN ROLL-IN SHOWERS IN GUEST ROOMS.
 5. WHERE A SEAT IS PROVIDED IN STANDARD ROLL-IN TYPE SHOWER COMPARTMENTS, GRAB BARS SHALL BE PROVIDED ON THE BACK WALL AND THE SIDE WALL OPPOSITE THE SEAT. GRAB BARS SHALL NOT BE PROVIDED ABOVE THE SEAT. WHERE A SEAT IS NOT PROVIDED IN STANDARD ROLL-IN TYPE SHOWER COMPARTMENTS, GRAB BARS SHALL BE PROVIDED ON THREE WALLS. GRAB BARS SHALL BE INSTALLED 6" MAX. FROM ADJACENT WALLS.
 6. IN STANDARD ROLL-IN TYPE SHOWER COMPARTMENTS, THE CONTROLS, FAUCETS, AND SHOWER SPRAY UNIT SHALL BE LOCATED ABOVE THE GRAB BAR, BUT NO HIGHER THAN 48" ABOVE THE SHOWER FLOOR. WHERE A SEAT IS PROVIDED, THE CONTROLS, FAUCETS, AND SHOWER SPRAY UNIT SHALL BE INSTALLED ON THE BACK WALL ADJACENT TO THE SEAT WALL AND SHALL BE LOCATED 27" MAX. FROM THE SEAT WALL.
 7. THRESHOLDS IN ROLL-IN TYPE SHOWER COMPARTMENTS SHALL BE 1/2" HIGH MAX. WITH A 1:2 BEVEL.
- GENERAL SHOWER NOTES:
1. A SHOWER SPRAY UNIT WITH A HOSE 60" LONG MIN. THAT CAN BE USED BOTH AS A FIXED-POSITION SHOWER HEAD AND AS A HAND-HELD SHOWER SHALL BE PROVIDED (WITH THE CONTROLS LOCATED AT 48" MAXIMUM AFF). THE SHOWER SPRAY UNIT SHALL HAVE AN ON/OFF CONTROL WITH A NON-POSITIVE SHUT-OFF. IF AN ADJUSTABLE-HEIGHT SHOWER HEAD ON A VERTICAL GRAB BAR IS USED, THE BAR SHALL BE INSTALLED SO AS TO NOT OBSTRUCT THE USE OF THE GRAB BARS. BATHTUB SHOWER SPRAY UNITS SHALL DELIVER WATER THAT IS 120" MAX. HAND-HELD SHOWER SPRAY UNITS SHALL BE CAPABLE OF DELIVERING WATER PRESSURE SUBSTANTIALLY EQUIVALENT TO FIXED SHOWER HEADS.
 2. PARTS SHALL BE OPERABLE WITH ONE HAND AND SHALL NOT REQUIRE TIGHT GRASPING, PINCHING, OR TWISTING OF THE WRIST. THE FORCE REQUIRED TO ACTIVATE OPERABLE PARTS SHALL BE 5 POUNDS MAXIMUM.
 3. SHOWER COMPARTMENT ENCLOSURES FOR SHOWER COMPARTMENTS SHALL NOT OBSTRUCT CONTROLS OR OBSTRUCT TRANSFER FROM WHEELCHAIRS ONTO SHOWER SEATS.

10 ACCESSIBLE SHOWER NOTES NO SCALE

7 ACCESSIBLE BATHTUB DETAIL 1/4" = 1'-0"