



PHILLIPS

KEYPLAN

CONSULTANT

SEAL

ISSUE & REVISION RECORD

Table with 2 columns: # DATE and DESCRIPTION. It contains a grid for recording design revisions.

PROJECT: FAIRFIELD BY MARRIOTT INN & SUITES

DAWSONVILLE, GEORGIA

PROTOTYPE VERSION 2016 REV 1 12-21-16

4 STORY, 92'00" FOOLS IN-NDOR UNIT

FAIRFIELD DAWSON FOREST ROAD DAWSONVILLE, GA 30534

CLIENT

RIMROCK COMPANIES 10000 RIVERSIDE AVE JACKSONVILLE, FL 32204

PHILLIPS JOB NUMBER: 1972101

ISSUE DATE: 08/23/2019 DRAWN BY/CHECKED BY: 2S/JU

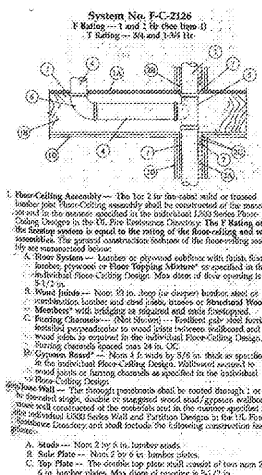
FIRE RATED ASSEMBLIES - PENETRATIONS

SHEET NUMBER

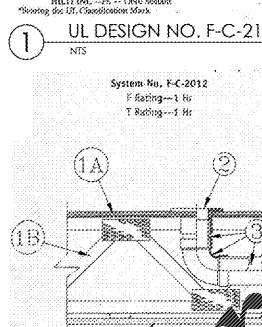
A-0.3

9901 PEACHTREE DUNWOODY RD. BUILDING A, SUITE 450 ATLANTA, GEORGIA 30328

PHILLIPSPART.COM 770-394-1616



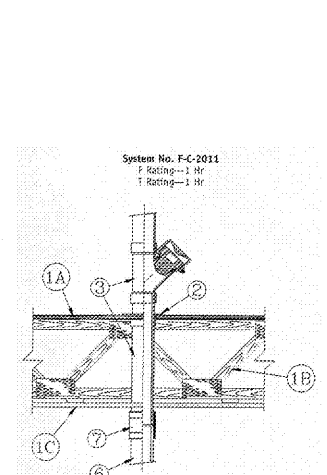
1. Wall Assembly - The 1 or 2 fire-rated gypsum board wall assembly shall be constructed of the materials and in the manner specified in the UL Fire Resistance Directory and shall include the following construction details:
A. Studs - 16 in. deep galvanized steel studs fabricated from 2 by 4 in. lumber...



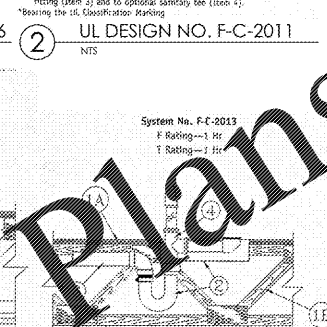
1. Floor-Ceiling Assembly - The fire-rated solid or trussed lumber joist floor-ceiling assembly shall be constructed of the materials and in the manner specified in the UL Fire Resistance Directory and shall include the following construction details:
A. Floor System - Lumber or plywood subfloor with finish floor...



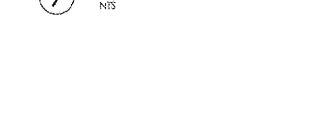
1. Floor-Ceiling Assembly - The fire-rated solid or trussed lumber joist floor-ceiling assembly shall be constructed of the materials and in the manner specified in the UL Fire Resistance Directory and shall include the following construction details:
A. Floor System - Lumber or plywood subfloor with finish floor...



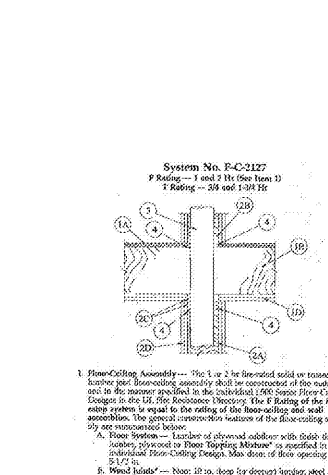
1. Wall Assembly - The 1 or 2 fire-rated gypsum board wall assembly shall be constructed of the materials and in the manner specified in the UL Fire Resistance Directory and shall include the following construction details:
A. Studs - 16 in. deep galvanized steel studs fabricated from 2 by 4 in. lumber...



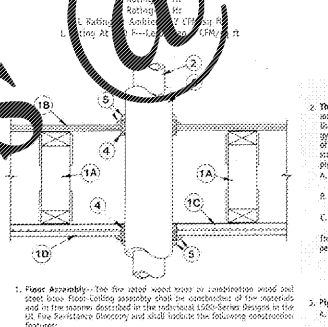
1. Floor-Ceiling Assembly - The fire-rated solid or trussed lumber joist floor-ceiling assembly shall be constructed of the materials and in the manner specified in the UL Fire Resistance Directory and shall include the following construction details:
A. Floor System - Lumber or plywood subfloor with finish floor...



1. Floor-Ceiling Assembly - The fire-rated solid or trussed lumber joist floor-ceiling assembly shall be constructed of the materials and in the manner specified in the UL Fire Resistance Directory and shall include the following construction details:
A. Floor System - Lumber or plywood subfloor with finish floor...



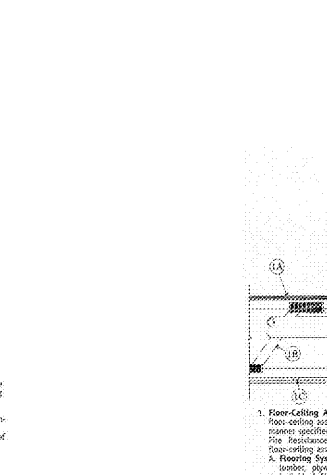
1. Wall Assembly - The 1 or 2 fire-rated gypsum board wall assembly shall be constructed of the materials and in the manner specified in the UL Fire Resistance Directory and shall include the following construction details:
A. Studs - 16 in. deep galvanized steel studs fabricated from 2 by 4 in. lumber...



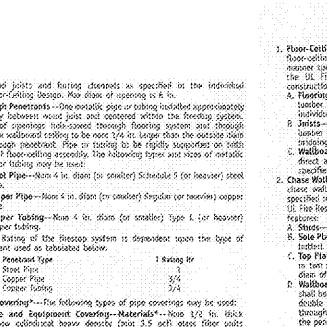
1. Floor-Ceiling Assembly - The fire-rated solid or trussed lumber joist floor-ceiling assembly shall be constructed of the materials and in the manner specified in the UL Fire Resistance Directory and shall include the following construction details:
A. Floor System - Lumber or plywood subfloor with finish floor...



1. Floor-Ceiling Assembly - The fire-rated solid or trussed lumber joist floor-ceiling assembly shall be constructed of the materials and in the manner specified in the UL Fire Resistance Directory and shall include the following construction details:
A. Floor System - Lumber or plywood subfloor with finish floor...



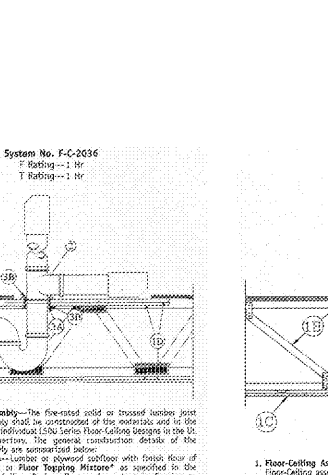
1. Wall Assembly - The 1 or 2 fire-rated gypsum board wall assembly shall be constructed of the materials and in the manner specified in the UL Fire Resistance Directory and shall include the following construction details:
A. Studs - 16 in. deep galvanized steel studs fabricated from 2 by 4 in. lumber...



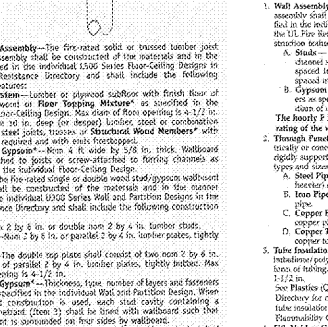
1. Wall Assembly - The 1 or 2 fire-rated gypsum board wall assembly shall be constructed of the materials and in the manner specified in the UL Fire Resistance Directory and shall include the following construction details:
A. Studs - 16 in. deep galvanized steel studs fabricated from 2 by 4 in. lumber...



1. Wall Assembly - The 1 or 2 fire-rated gypsum board wall assembly shall be constructed of the materials and in the manner specified in the UL Fire Resistance Directory and shall include the following construction details:
A. Studs - 16 in. deep galvanized steel studs fabricated from 2 by 4 in. lumber...



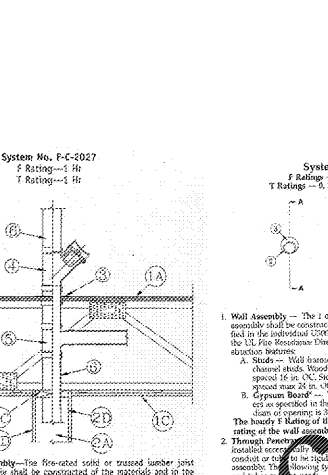
1. Wall Assembly - The 1 or 2 fire-rated gypsum board wall assembly shall be constructed of the materials and in the manner specified in the UL Fire Resistance Directory and shall include the following construction details:
A. Studs - 16 in. deep galvanized steel studs fabricated from 2 by 4 in. lumber...



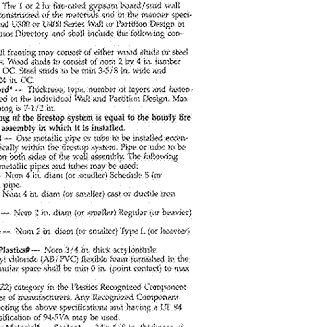
1. Floor-Ceiling Assembly - The fire-rated solid or trussed lumber joist floor-ceiling assembly shall be constructed of the materials and in the manner specified in the UL Fire Resistance Directory and shall include the following construction details:
A. Floor System - Lumber or plywood subfloor with finish floor...



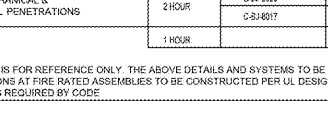
1. Floor-Ceiling Assembly - The fire-rated solid or trussed lumber joist floor-ceiling assembly shall be constructed of the materials and in the manner specified in the UL Fire Resistance Directory and shall include the following construction details:
A. Floor System - Lumber or plywood subfloor with finish floor...



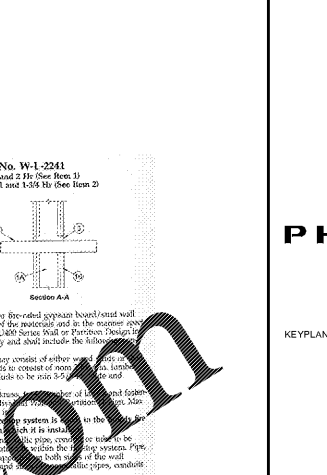
1. Floor-Ceiling Assembly - The fire-rated solid or trussed lumber joist floor-ceiling assembly shall be constructed of the materials and in the manner specified in the UL Fire Resistance Directory and shall include the following construction details:
A. Floor System - Lumber or plywood subfloor with finish floor...



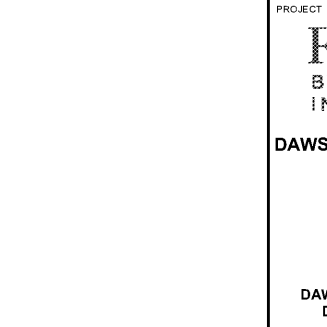
1. Wall Assembly - The 1 or 2 fire-rated gypsum board wall assembly shall be constructed of the materials and in the manner specified in the UL Fire Resistance Directory and shall include the following construction details:
A. Studs - 16 in. deep galvanized steel studs fabricated from 2 by 4 in. lumber...



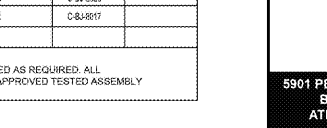
1. Wall Assembly - The 1 or 2 fire-rated gypsum board wall assembly shall be constructed of the materials and in the manner specified in the UL Fire Resistance Directory and shall include the following construction details:
A. Studs - 16 in. deep galvanized steel studs fabricated from 2 by 4 in. lumber...



1. Wall Assembly - The 1 or 2 fire-rated gypsum board wall assembly shall be constructed of the materials and in the manner specified in the UL Fire Resistance Directory and shall include the following construction details:
A. Studs - 16 in. deep galvanized steel studs fabricated from 2 by 4 in. lumber...



1. Floor-Ceiling Assembly - The fire-rated solid or trussed lumber joist floor-ceiling assembly shall be constructed of the materials and in the manner specified in the UL Fire Resistance Directory and shall include the following construction details:
A. Floor System - Lumber or plywood subfloor with finish floor...



1. Floor-Ceiling Assembly - The fire-rated solid or trussed lumber joist floor-ceiling assembly shall be constructed of the materials and in the manner specified in the UL Fire Resistance Directory and shall include the following construction details:
A. Floor System - Lumber or plywood subfloor with finish floor...

SCHEDULE OF THRU-PENETRATION FIRESTOP SYSTEMS. Table with columns: THROUGH PENETRATIONS, RATING, CONCRETE FLOOR SYSTEM, WOOD FLOOR SYSTEM, CONCRETE BLOCK WALL SYSTEM, JOYP. BRD. / STUD WALL SYSTEM, and SYSTEM NO.

NOTE: THIS SHEET IS FOR REFERENCE ONLY. THE ABOVE DETAILS AND SYSTEMS TO BE USED AS REQUIRED. ALL PENETRATIONS AT FIRE RATED ASSEMBLIES TO BE CONSTRUCTED PER UL DESIGN APPROVED TESTED ASSEMBLY CRITERIA AS REQUIRED BY CODE.