

THIS SHEET PLOTS ON 22" x 34" ANSI D 0 1/2" 1" 2" 3" N M L K J I H G F E D C B A
 P:\COMMERCIAL\2018 PROJECT IN-BOX\2018-207 Elisha Winn Restrooms\2. Drawing Info\c. Revit\2018-207 Elisha Winn P19.rvt
 © Copyright 2014 by Croft & Associates, PC. All rights reserved. This document is property of Croft & Associates, PC. It is to be used only for the specific project referred to or identified herein and is not to be used on other projects, in whole or in part, except by the express written agreement of Croft & Associates, PC.

WATER HEATER SCHEDULE

GENERAL		BASIS OF DESIGN		OPERATING PARAMETERS												
MARK	DESCRIPTION	MANUFACTURER (OR APPROVED EQUAL)	MODEL	MIN. FLOW RATE (GPM)	MAX FLOW RATE (GPM)	STORAGE CAPACITY (GAL)	SUPPLY TEMP. (°F)	WEIGHT, DRY (LB)	WEIGHT, WET (LB)	PRIMARY HEATING ELEMENT				ELECTRICAL		NOTES
										TYPE	INPUT (BTUH)	OUTPUT (BTUH)	EFF (%)	VOLTS	PH	
WH-1	POINT OF USE WATER HEATER, MULTI-LAVATORY, THERMOSTATIC, (ELECTRIC) 8.3 KW	EEMAX	EX8208TML	0.3	1.5	0.15	110	4	5	ELECTRIC	28,320	28,320	100.00%	208	1	-

PLUMBING FIXTURE SCHEDULE

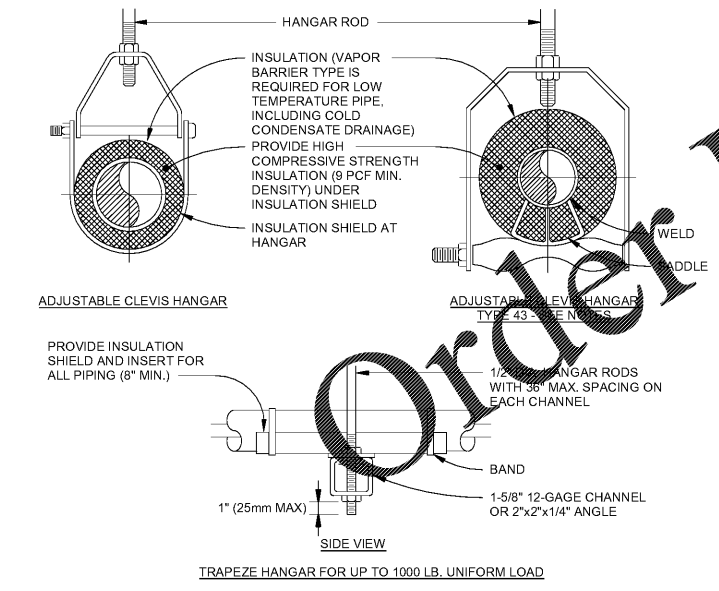
Mark	Fixture Description	Flow	Manufacturer (or Approved Equal)	Model	Trim	Cold	Hot	Waste	Vent	Notes
FD	FLOOR DRAIN	-	MIFAB	F1100-CS-1-6-7	5" DIAMETER	-	-	5"	-	1
HB	SELF-DRAINING WALL HYDRANT WITH LOCKING COVER	-	JAY R SMITH	5618		3/4"	-	-	-	-
LAV	WALL MOUNT LAVATORY, STAINLESS STEEL (ADA-COMPLIANT)	0.5 GPM	ACORN	1953-ADA-1-09-H1-TE	INCLUDE SHROUD TO CONCEAL P-TRAP, VALVES AND WATER SUPPLY. DELTA 87T111 LEVER HANDLE FAUCET	1/2"	1/2"	1-1/2"	1-1/4"	2, 4
SS	FLOOR-MOUNTED STAINLESS STEEL SERVICE SINK, 24"x24"x10"	2.25 GPM	FIAT	MSB 2424	SERVICE FAUCET 830-AA, HOSE AND HOSE BRACKET 832-AA, MOP HANGER 889-CC, STAINLESS STEEL WALL GUARD MSG2424	3/4"	3/4"	3"	2"	1
TP	TRAP PRIMER	-	PRECISION PLUMBING PRODUCTS	PR-500	BRASS BODY, 1/2" INLET, 1/2" OUTLET	1/2"	-	-	-	4
UR	URINAL; STAINLESS STEEL, WALL-HUNG, MANUAL CONCEALED FLUSH VALVE (ADA-COMPLIANT)	0.5 GPF	ACORN	1709HEU	SLOAN 613-0.5 CONCEALED MANUAL FLUSHOMETER, INCLUDE ACORN FLUSH VALVE ACCESS PANEL MODEL NO. 2898	3/4"	-	2"	1-1/2"	-
WC	MANUAL CONCEALED-TANK WALL-MOUNTED TOILET, STAINLESS STEEL (ADA-COMPLIANT)	1.28 GPF	ACORN	2105-W-1-CN-HS-OFLC	SLOAN 603-1.28 CONCEALED MANUAL FLUSHOMETER, INCLUDE ACORN FLUSH VALVE ACCESS PANEL MODEL NO. 2898	1/2"	-	3"	2"	3
WCO	WALL CLEANOUT	-	ZURN	Z-1440	SIZE TO MATCH RISER	-	-	MATCH PIPE SIZE	-	5
WF	BI-LEVEL ADA WATER FOUNTAIN	0.5 GPM	MURDOCK	M-C76B	INCLUDE FREEZE RESISTANT OPTION FRU2, CHROME PLATED BRASS BOWLS	1/2"	-	1-1/4"	1-1/4"	7
WHA	WATER HAMMER ARRESTOR	-	MIFAB	MWH	FIXTURE UNIT RATING 1-11: 1/2" FIXTURE UNIT RATING 12-30: 3/4" FIXTURE UNIT RATING 31-60: 1" FIXTURE UNIT RATING 61-113: 1-1/4"	-	-	-	-	6

GENERAL NOTES:

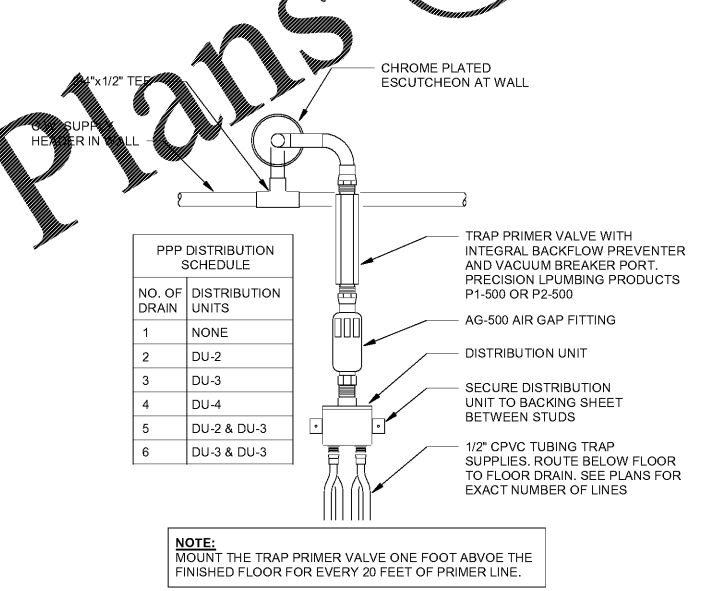
- A) COORDINATE FINISH OF ALL FIXTURES, CLEANOUT COVERS, ETC. WITH ARCHITECT
- B) FIXTURE FLOW RATES SHOWN ARE RATED AT MINIMUM 40 PSI. CONTRACTOR SHALL VERIFY WATER PRESSURE AND MIN. FLOW RATE AFTER INSTALLATION

NOTES:

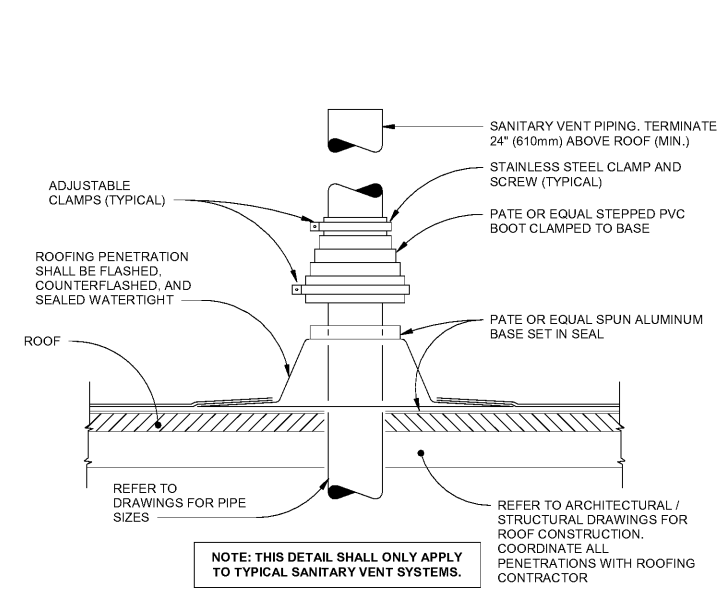
- 1) INCLUDE RECTORSEAL SURE SEAL® TRAP SEAL DEVICE OR APPROVED EQUAL
- 2) INCLUDE LEONARD MODEL 270 FAUCET MIXER VALVE
- 3) MOUNT WATER CLOSET PER ADA REQUIREMENTS
- 4) SEE PLUMBING GENERAL NOTES REGARDING TRAP PRIMERS
- 5) SIZE WALL CLEANOUT TO MATCH CONNECTED SANITARY PIPE
- 6) CONTRACTOR SHALL INSTALL WATER HAMMER ARRESTORS AS REQUIRED TO MEET THE FIXTURE LOAD. INSTALL IN ACCESSIBLE LOCATION COMPLETE WITH ACCESS PANEL
- 7) WATER FOUNTAIN APPROVED ALTERNATE: CANTERBURY DESIGNS DRNY-HL-2 WITH FREEZE RESISTANT OPTION



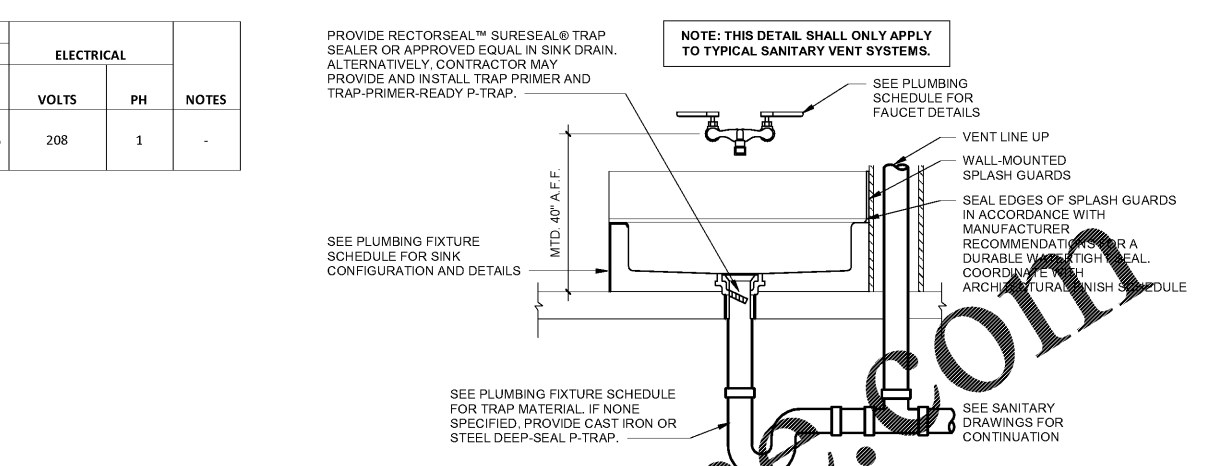
A1 P-501 TYPICAL PIPE HANGAR DETAIL
NOT TO SCALE



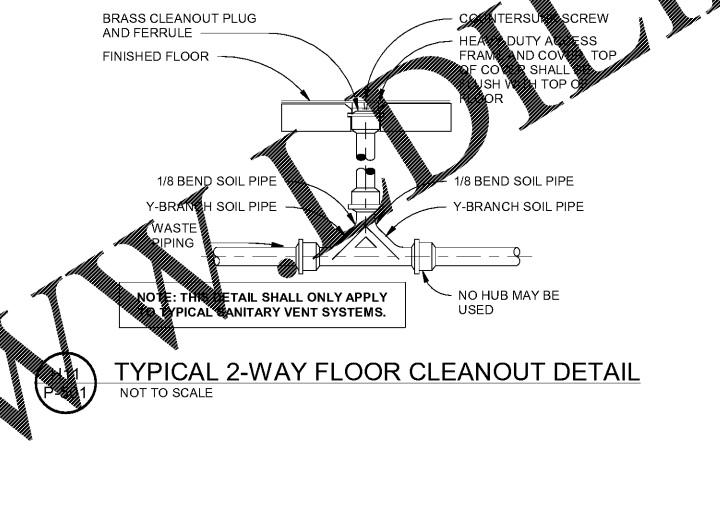
A6 P-501 TRAP PRIMER DETAIL
NOT TO SCALE



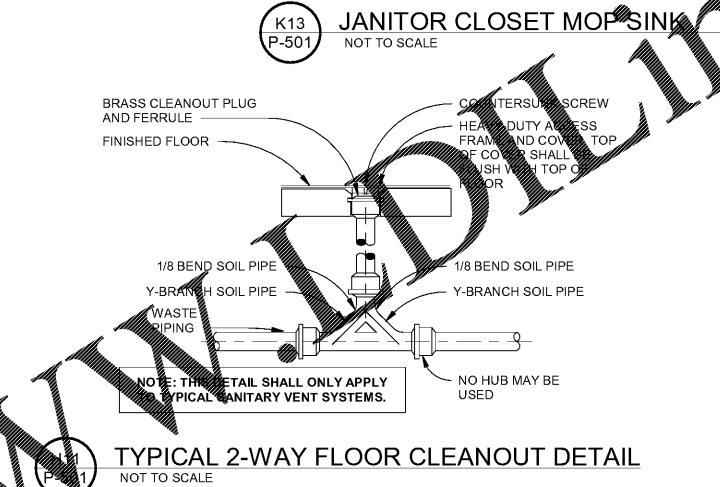
A11 P-501 TYPICAL SANITARY VENT THRU ROOF DETAIL
NOT TO SCALE



F15 P-501 TYPICAL 2-WAY FLOOR CLEANOUT DETAIL
NOT TO SCALE



F16 P-501 TYPICAL WALL CLEANOUT DETAIL
NOT TO SCALE



K13 P-501 JANITOR CLOSET MOP SINK
NOT TO SCALE

NOTE: THIS DETAIL SHALL ONLY APPLY TO TYPICAL SANITARY VENT SYSTEMS.

SEE PLUMBING FIXTURE SCHEDULE FOR SINK CONFIGURATION AND DETAILS

SEE PLUMBING FIXTURE SCHEDULE FOR TRAP MATERIAL. IF NONE SPECIFIED, PROVIDE CAST IRON OR STEEL DEEP-SEAL P-TRAP.

SEE PLUMBING SCHEDULE FOR FAUCET DETAILS

VENT LINE UP

WALL-MOUNTED SPLASH GUARDS

SEAL EDGES OF SPLASH GUARDS IN ACCORDANCE WITH MANUFACTURER RECOMMENDATIONS FOR A DURABLE WATER TIGHT SEAL. COORDINATE WITH ARCHITECTURAL FINISH SCHEDULE

SEE SANITARY DRAWINGS FOR CONTINUATION



Croft & Associates
3400 Blue Springs Road, Suite 200
Kennesaw, Georgia 30144
770.529.7714 (p) 770.529.7716 (f)
www.croftandassociates.com

OWNER
GWINNETT COUNTY
DACULA, GEORGIA 30019

ELISHA WINN HOUSE
RESTROOM BUILDING IMPROVEMENTS

B	2019-02-12	PERMIT SET
A	2018-11-13	
No.	Date	Description
ISSUANCE		

PROJECT NUMBER
2018-207

DRAWN: AJB CHECKED: VLM

SHEET TITLE
PLUMBING DETAILS & SCHEDULES

SHEET NO.
P-501