

4/17/2019 4:49:43 PM
 P:\COMMERCIAL\2018 PROJECT IN-BOX\2018-207 Elisha Winn Restrooms2 Drawing Info.c Revit2018-207 Elisha Winn P19.rvt
 © Copyright 2014 by Croft & Associates, PC. All rights reserved. This document is property of Croft & Associates, PC. It is to be used only for the specific project referred to or identified herein and is not to be used on other projects, in whole or in part, except by the express written agreement of Croft & Associates, PC.

B	2019-02-12	PERMIT SET
A	2018-11-13	
No.	Date	Description
ISSUANCE		

PLUMBING LEGEND

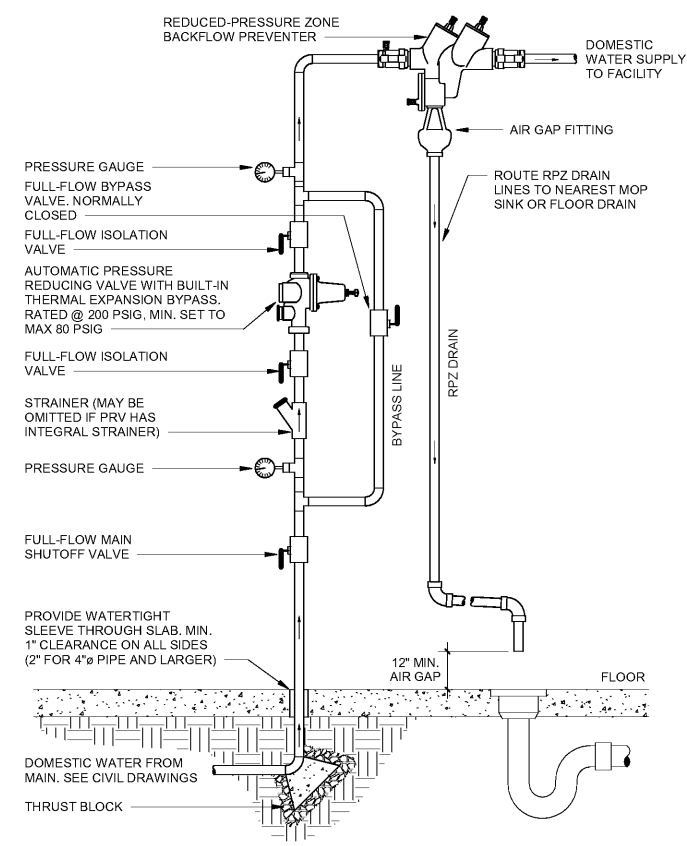
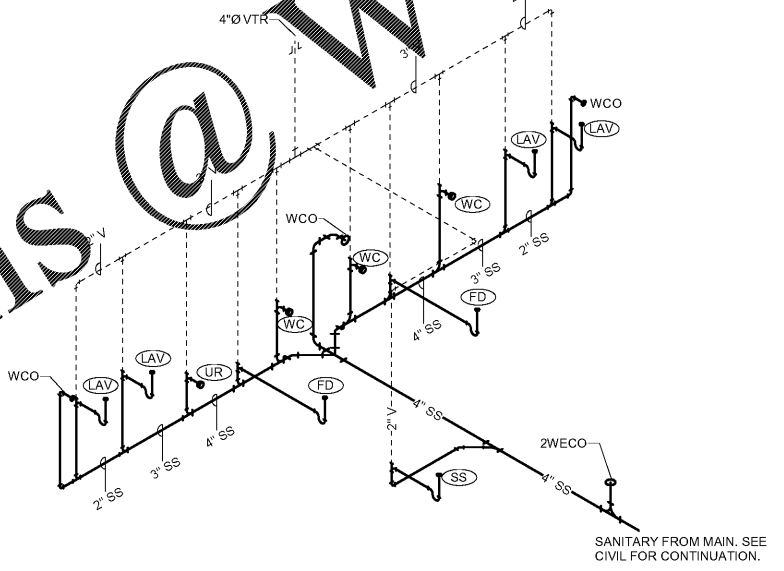
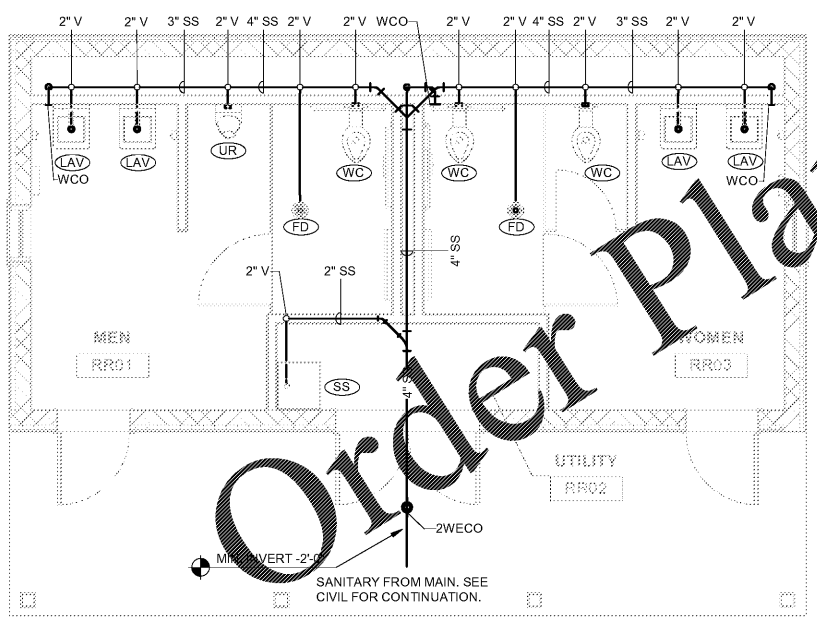
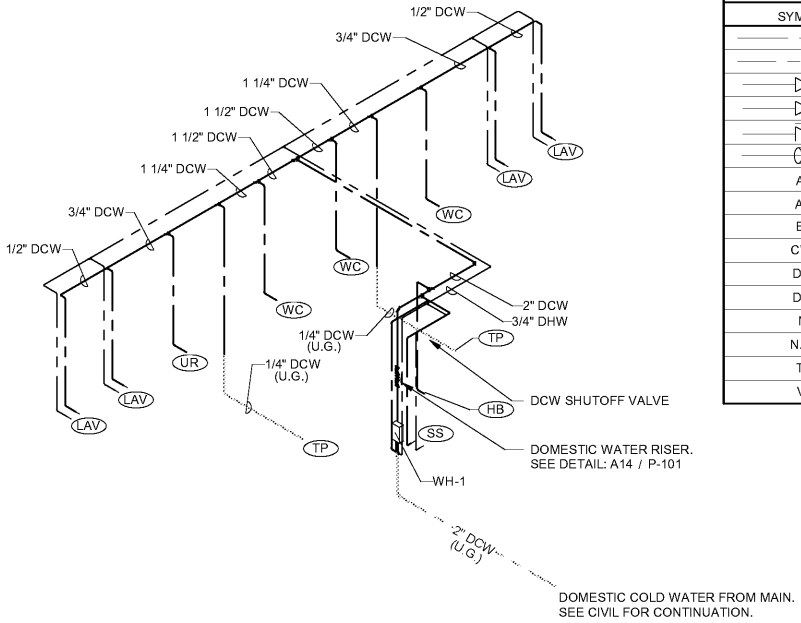
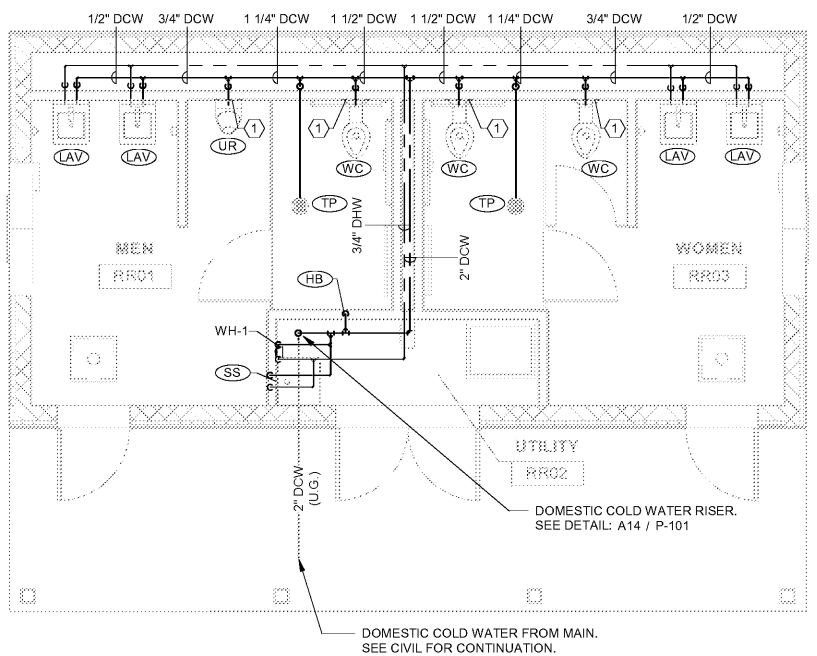
SYMBOL	DESCRIPTION
---	DOMESTIC COLD WATER
---	DOMESTIC HOT WATER
⊗	GATE VALVE
⊘	GLOBE VALVE
⊘	CHECK VALVE
○	PIPE SLEEVE
AFF	ABOVE FINISHED FLOOR
AFG	ABOVE FINISHED GRADE
B.E.	BOTTOM ELEVATION
CWW	CHEMICAL WASTE WATER
DCW	DOMESTIC COLD WATER
DHW	DOMESTIC HOT WATER
NG	NATURAL GAS
N.T.S.	NOT TO SCALE
TYP.	TYPICAL
VTR	VENT THRU ROOF

- PLUMBING - GENERAL NOTES:**
- THE CONTRACTOR SHALL MAINTAIN A VALID LICENSE TO PERFORM COMMERCIAL PLUMBING WORK IN THE STATE OF GEORGIA.
 - THESE DRAWINGS ARE DIAGRAMMATIC IN NATURE. DO NOT SCALE LOCATIONS OF UNITS, LINES, ETC. COORDINATE ALL DOCUMENTS TO DETERMINE PROPER LOCATIONS OF ALL EQUIPMENT AND MATERIALS. SEE PLUMBING SPECIFICATIONS FOR ADDITIONAL DETAIL FOR INSTALLATION, MATERIALS, AND METHODS.
 - PLUMBING WORK IS TO BE INSTALLED IN A NEAT AND WORKLIKE MANNER. ALL ROUGH-IN WORK IS TO BE HIDDEN WITHIN WALLS AND ABOVE CEILINGS.
 - ALL SITE UTILITY PIPING AND EQUIPMENT SHALL BE COORDINATED WITH CIVIL DRAWINGS.

- PLUMBING - SANITARY & VENT NOTES:**
- SEE PLUMBING SPECIFICATIONS FOR SANITARY, VENT, AND WASTEWATER INSTALLATION SPECIFICATIONS.

- PLUMBING - DOMESTIC WATER NOTES:**
- SEE PLUMBING SPECIFICATIONS FOR DOMESTIC WATER PIPING INSTALLATION SPECIFICATIONS.
 - CONTRACTOR SHALL PROVIDE AND INSTALL WATER HAMMER ARRESTORS IN THE PIPING SYSTEM AS REQUIRED BY THE SIZE OF THE FIXTURE LOAD (SEE PLUMBING SCHEDULE FOR SIZING DETAILS).

- KEY NOTES:**
- MANUFACTURER SUPPLIED FLUSH VALVE ACCESS PLATE. SEE PLUMBING SCHEDULES FOR DETAILS.



- DETAIL NOTES:**
- ALL FITTINGS AND ACCESSORIES ARE TO BE OF LEAD-FREE CONSTRUCTION.
 - ALL SHUTOFF VALVES SHALL BE FULL-FLOW TYPE. REFER TO SHEET P-001 PLUMBING GENERAL NOTES FOR ADDITIONAL REQUIREMENTS.
 -

Order Plans @ WWW.LDILine.com