

B	2019-02-12	PERMIT SET
A	2018-11-13	
No.	Date	Description
ISSUANCE		

PROJECT NUMBER
2018-207

DRAWN: AJB CHECKED: VLM

SHEET TITLE
**MECHANICAL
DETAILS**

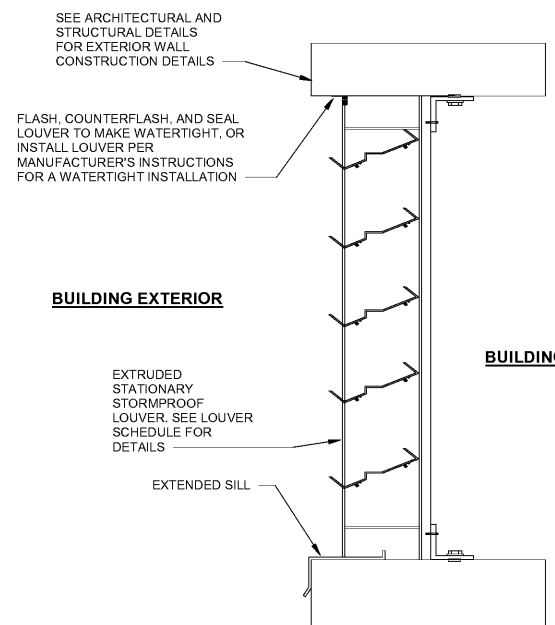
SHEET NO.

M-501

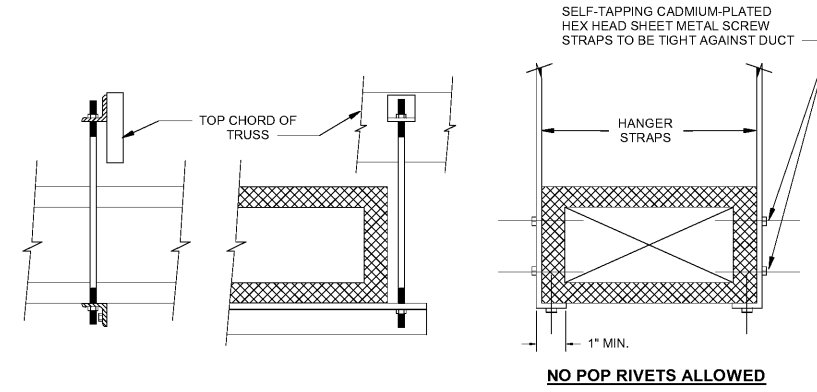
HANGER SIZES FOR RECTANGULAR DUCT			
MAX SIDE	HANGER	HORIZONTAL SUPPORT ANGLE	MAXIMUM SPACING
30"	1" x 18" GAGE STRAP	NONE REQUIRED	10' - 0"
36"	1/4" ROUND ROD	1-1/2" x 1-1/2" x 1/8"	8' - 0"
48"	1/4" ROUND ROD	2" x 2" x 1/8"	8' - 0"
60"	5/16" ROUND ROD	2" x 2" x 1/8"	8' - 0"
84"	3/8" ROUND ROD	2" x 2" x 1/8"	8' - 0"

THIS SHEET PLOTS ON 22" x 34" ANSI D

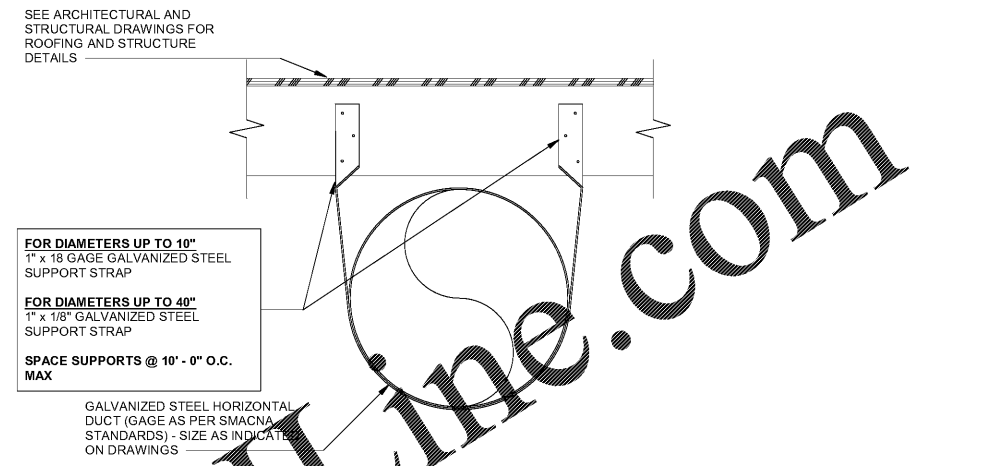
2/21/2019 10:49:04 AM P:\COMMERCIAL\2018 PROJECT IN-BOX\2018-207 Elisha Winn Restrooms2_Drawing Info.c Revit2018-207 Elisha Winn M19.rvt © Copyright 2014 by Croft & Associates, PC. All rights reserved. This document is property of Croft & Associates, PC. It is to be used only for the specific project referred to or identified herein and is not to be used on other projects, in whole or in part, except by the express written agreement of Croft & Associates, PC.



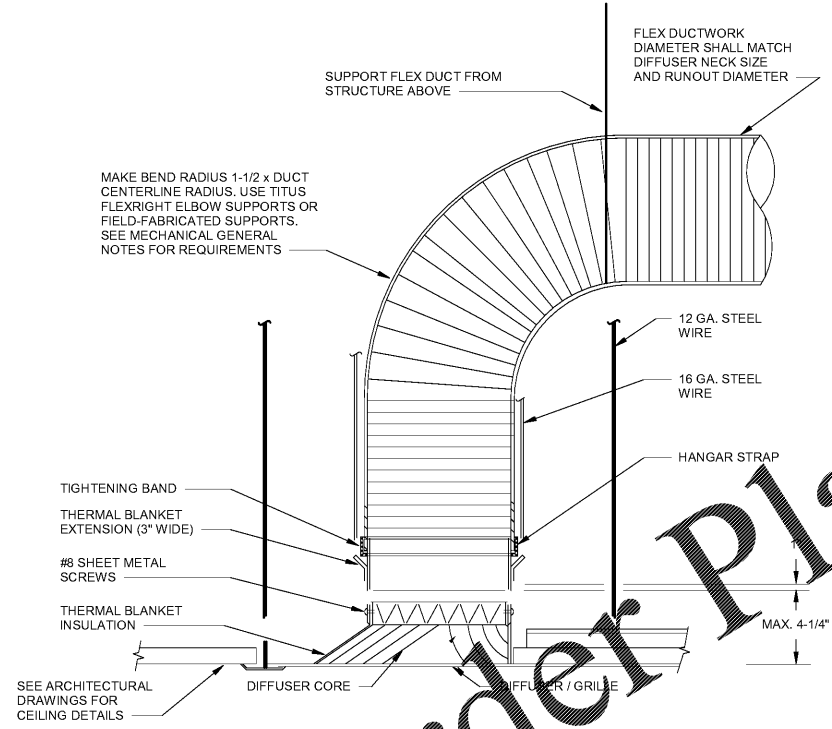
11 AIR LOUVER DETAIL
M-501 NOT TO SCALE



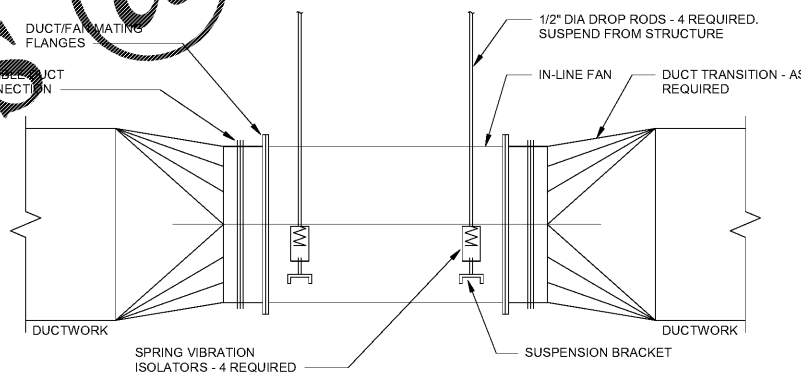
17 DUCT STRAP HANGER DETAIL
M-501 NOT TO SCALE



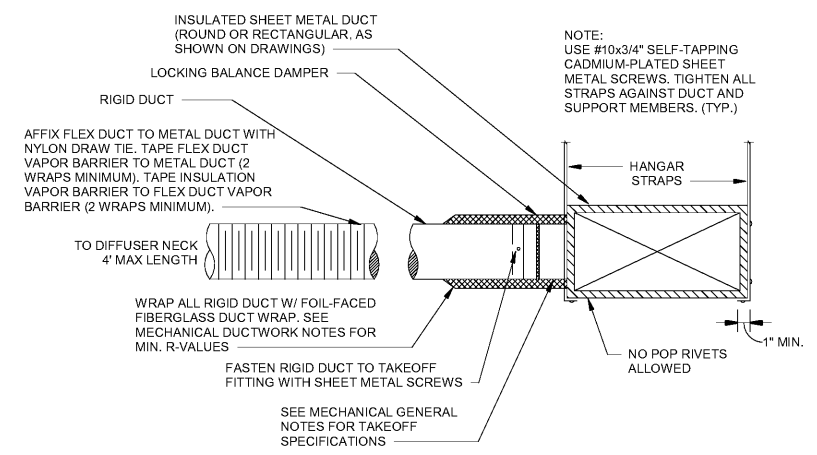
C15 TYPICAL FLEX DUCT CONNECTION DETAIL
M-501 NOT TO SCALE



C1 CEILING DIFFUSER DETAIL
M-501 NOT TO SCALE



C7 SUSPENDED IN-LINE FAN DETAIL
M-501 NOT TO SCALE



Order Plans @ www.LDILine.com