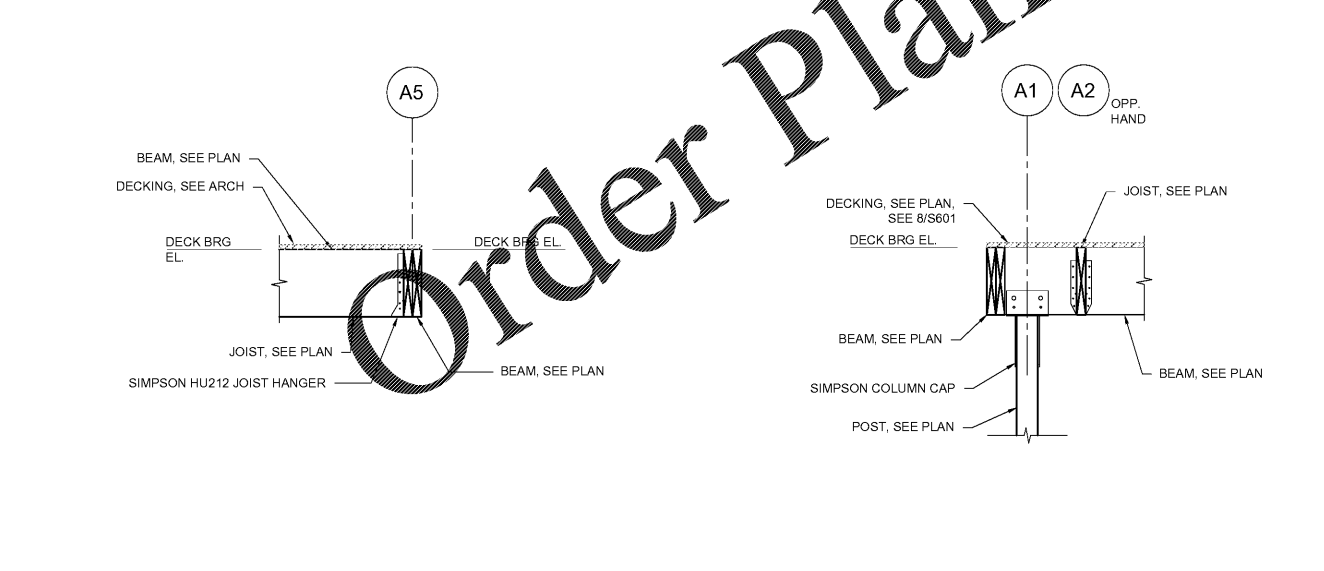


11 SECTION
S602 3/4" = 1'-0"

RIDGE BEARING SECTION
S602 3/4" = 1'-0"

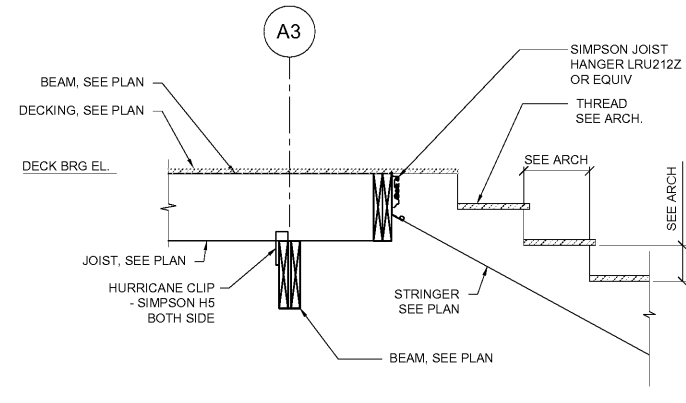
2 TRUSS BEARING SECTION
S602 3/4" = 1'-0"



10 SECTION
S602 3/4" = 1'-0"

7 SECTION
S602 3/4" = 1'-0"

4 SECTION
S602 3/4" = 1'-0"

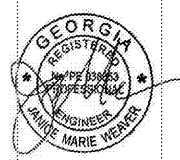


1 FLOOR JOIST CONNECTION
S602 3/4" = 1'-0"

**LORD
AECK
SARGENT**

© 2018 Lord Aeck Sargent
LordAeckSargent.com
Unless otherwise agreed to in writing, this document is the sole property of Lord Aeck Sargent and is to be returned upon demand. The information herein is confidential and may not be used nor divulged without the written permission of Lord Aeck Sargent.

REVISION



WOOD FRAMING DETAILS
SCALE AS SHOWN

PROJECT NAME: GWINNETT COUNTY
PROJECT LOCATION: ELISHA WINN HOUSE
PROJECT ADDRESS: DACULA, GEORGIA 30019

FORESITE
group

Foresite Group, Inc.
3740 Davinci Court,
Suite 100
Peachtree Corners, GA 30092
www.fg-inc.net
770.368.1399
770.368.1944

ISSUE DATE: 2/12/2019
JOB NO.: 10958-00
DWG. NO.: S602