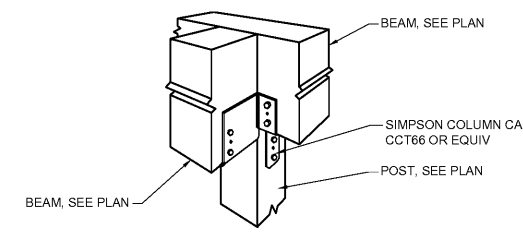
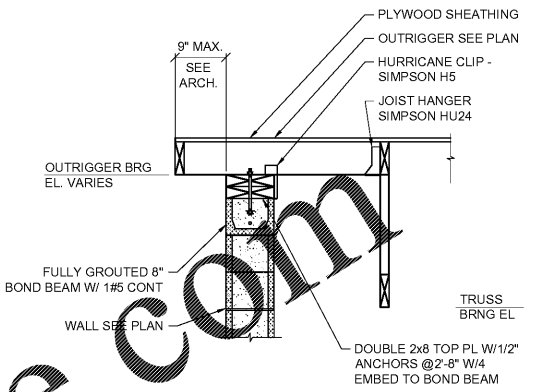


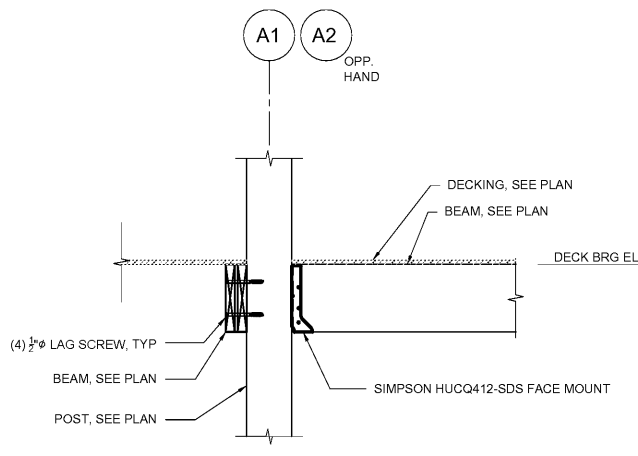
12 JOIST AT INTERIOR BEAM  
S601 3/4" = 1'-0"



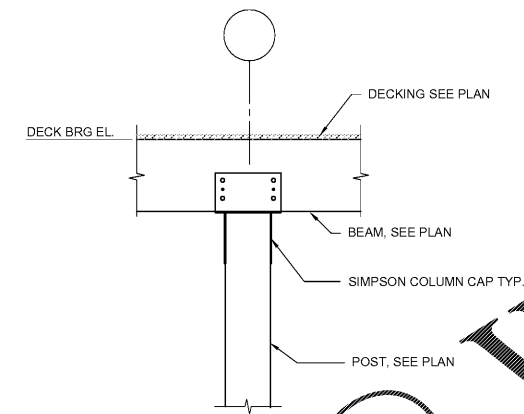
6 DETAIL  
S601 N.T.S.



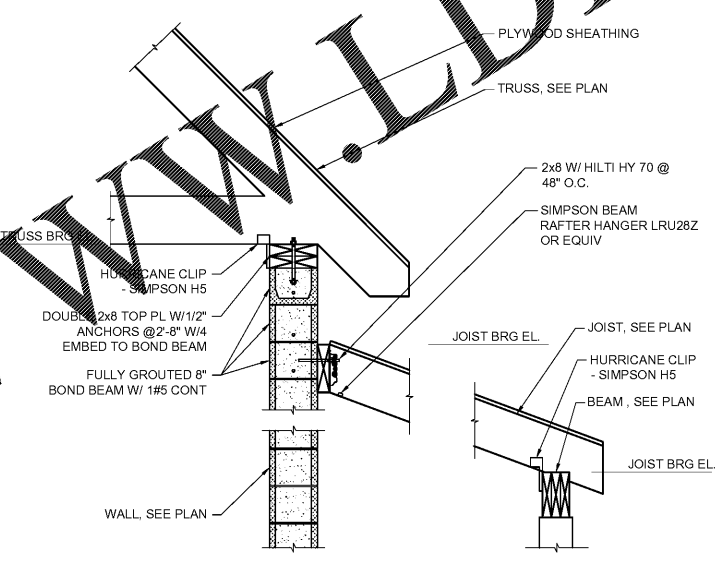
13 RIDGE BEARING SECTION  
S601 3/4" = 1'-0"



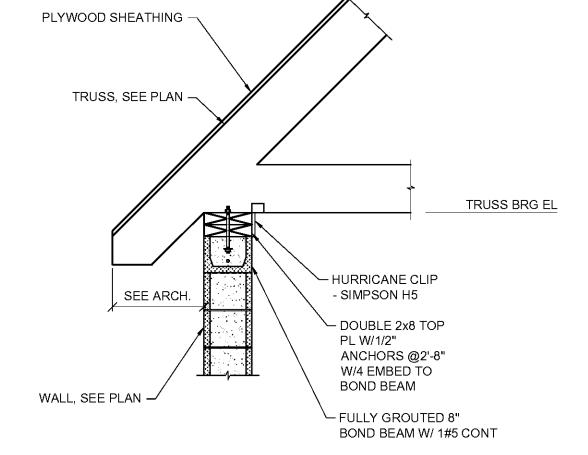
11 BEAM AT EXTERIOR POST  
S601 3/4" = 1'-0"



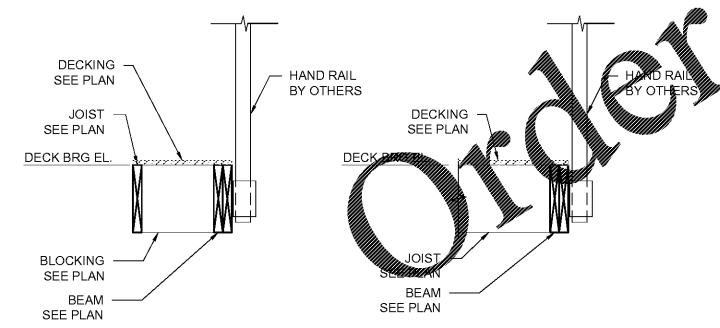
8 BEAM AT INTERIOR POST  
S601 3/4" = 1'-0"



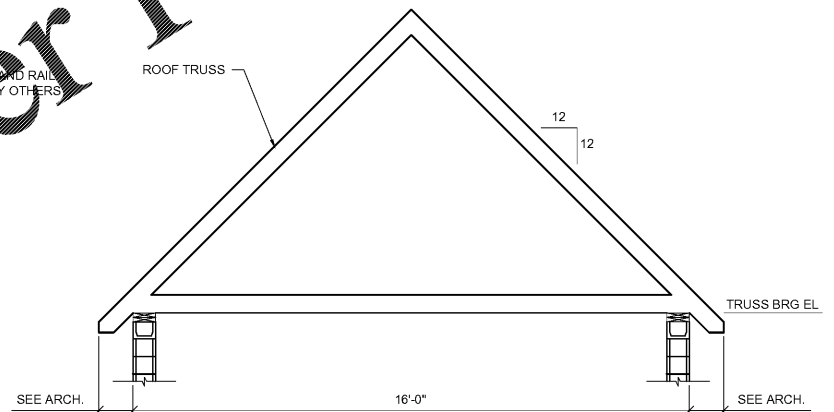
5 JOIST AT PORCH  
S601 3/4" = 1'-0"



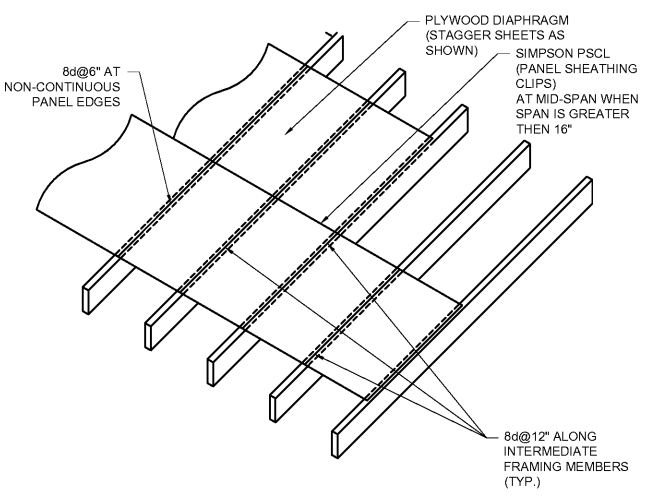
2 TRUSS BEARING SECTION  
S601 3/4" = 1'-0"



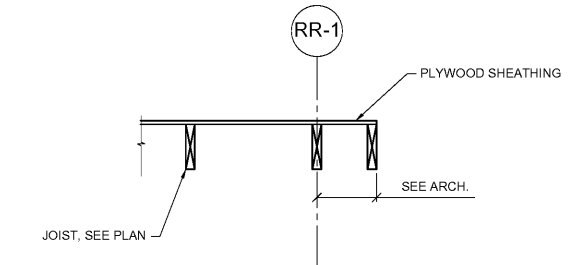
10 HANDRAIL SECTION  
S601 N.T.S.



7 RESTROOM ROOF TRUSS DIAGRAM  
S601 N.T.S.



4 ROOF DIAPHRAGM DETAIL  
S601 3/4" = 1'-0"



1 JOIST SECTION  
S601 3/4" = 1'-0"

NOTE: OUTRIGGER ROOF LOAD SHOULD BE CONSIDERED FOR T2 TRUSS

NOTE: OUTRIGGER ROOF LOAD SHOULD BE CONSIDERED FOR T2 TRUSS.

**LORD  
AECK  
SARGENT**

© 2018 Lord Aeck Sargent  
LordAeckSargent.com  
Unless otherwise agreed to in writing, this document is the sole property of Lord Aeck Sargent and is to be returned upon demand. The information herein is confidential and may not be used or divulged without the written permission of Lord Aeck Sargent.

REVISION



WOOD FRAMING DETAILS

SHEET TITLE  
SCALE  
AS SHOWN

CLIENT NAME  
GWINNETT COUNTY  
LOCATION  
ELISHA WINN HOUSE  
Dacula, Georgia 30019

ISSUE DATE  
2/12/2019  
JOB NO.  
10958-00  
DWG NO.

**S601**



Foresite Group, Inc.  
3740 Davinci Court,  
Suite 100  
Peachtree Corners, GA 30092  
www.fg-inc.net  
770.368.1399  
770.368.1944