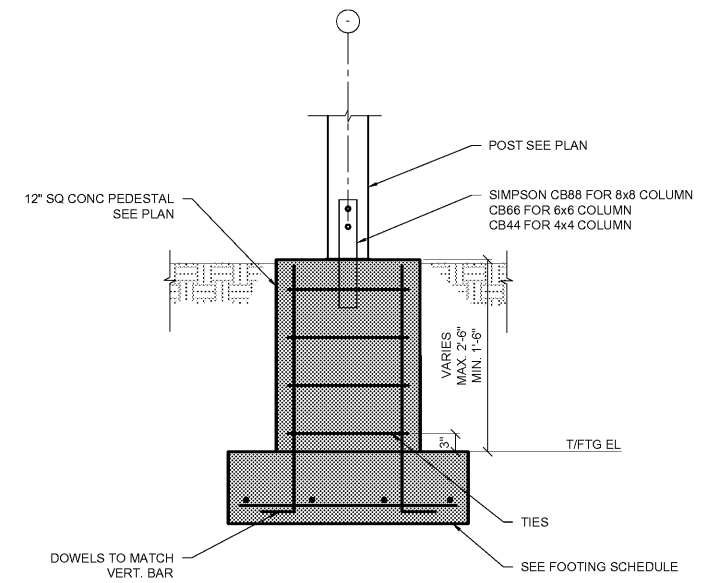
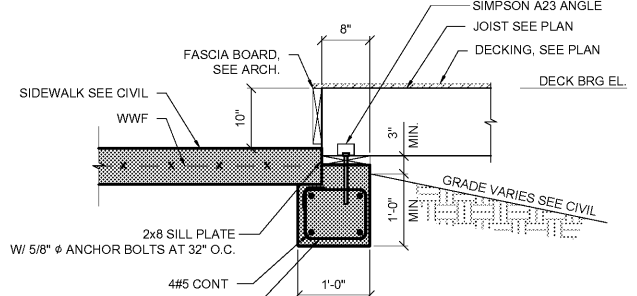


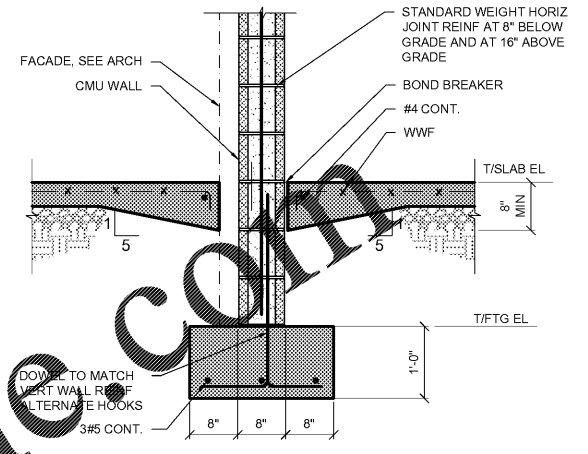
12 TYPICAL WOOD COLUMN FOOTING
S301 3/4" = 1'-0"



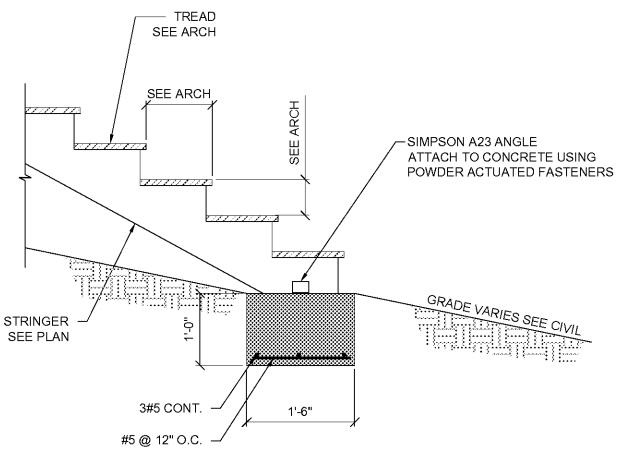
9 TYPICAL WOOD COLUMN FOOTING
S301 3/4" = 1'-0"



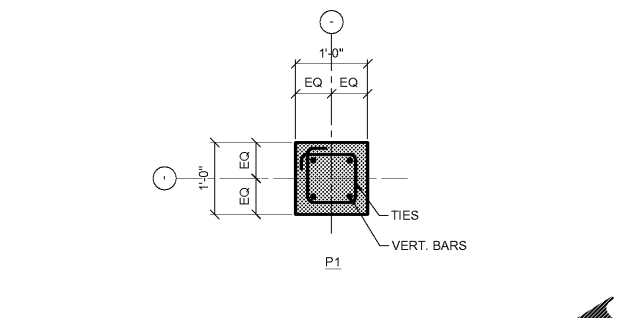
6 FOOTING AT SIDEWALK
S301 3/4" = 1'-0"



3 TYPICAL INTERIOR 8" CMU WALL FOOTING
S301 3/4" = 1'-0"

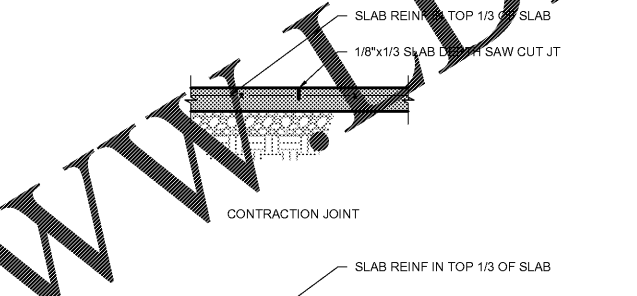


11 STAIR FOOTING
S301 3/4" = 1'-0"

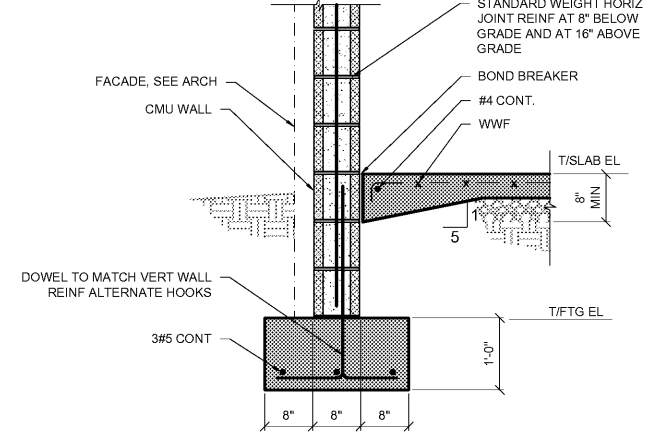


8 CONCRETE PEDESTAL SCHEDULE
S301 N.T.S.

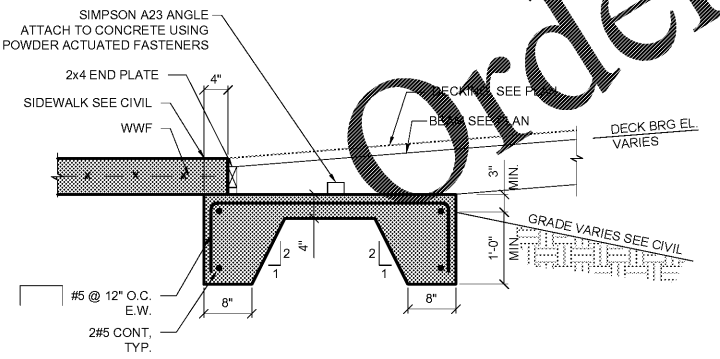
CONCRETE PEDESTAL SCHEDULE				
MARK	SIZE (WxL)	REINFORCEMENT		REMARKS
		VERT.	TIE	
P1	1'-0"x1'-0"	4#6	#3@12" O.C.	



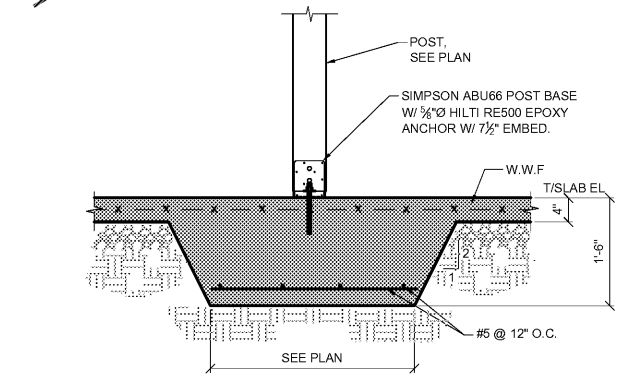
5 TYPICAL GRADE SUPPORTED SLAB AT JOINTS
S301 3/4" = 1'-0"



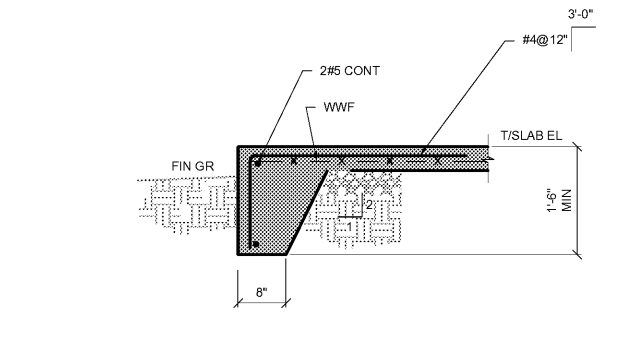
2 TYPICAL EXTERIOR 8" CMU WALL FOOTING
S301 3/4" = 1'-0"



10 RAMP FOOTING
S301 3/4" = 1'-0"



7 TYPICAL THICKENED SLAB AT POST
S301 3/4" = 1'-0"

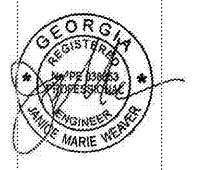


4 TYPICAL TURNDOWN SLAB
S301 3/4" = 1'-0"

FOOTING SCHEDULE			
MARK	SIZE (WxLxT)	REINF	REMARKS
F1.5	1'-6"x 1'-6"x1'-0"	#5@12 O.C.	EW, BOT
F2.0	2'-0"x2'-0"x1'-0"	#5@12 O.C.	EW, BOT
F2.5	2'-6"x2'-6"x1'-0"	#5@12 O.C.	EW, BOT
F3.0	2'-0"x3'-0"x1'-0"	#5@12 O.C.	EW, BOT
F4.0	2'-0"x4'-0"x1'-0"	#5@12 O.C.	EW, BOT

1 FOOTING SCHEDULE
S301 3/4" = 1'-0"

LORD AECK SARGENT
© 2018 Lord Aeck Sargent
Unless otherwise agreed in writing, this document is the sole property of Lord Aeck Sargent and is to be returned upon demand. The information herein is confidential and may not be used nor divulged without the written permission of Lord Aeck Sargent.



FOUNDATION DETAILS
SCALE: AS SHOWN

GWINNETT COUNTY
ELISHA WINN HOUSE
Dacula, Georgia 30019

FORESITE group

Foresite Group, Inc.
3740 Davinci Court,
Suite 100
Peachtree Corners, GA 30092
www.fg-inc.net
770.368.1399
770.368.1944

S301