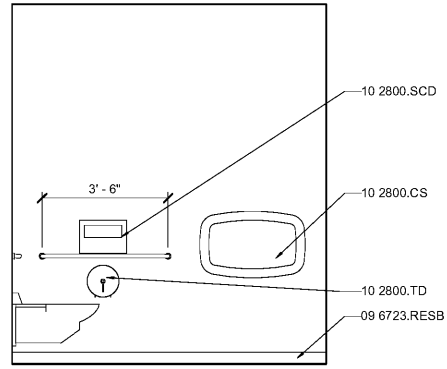
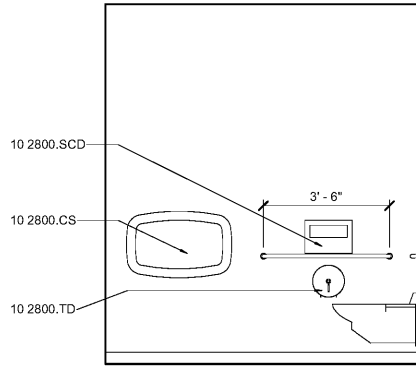


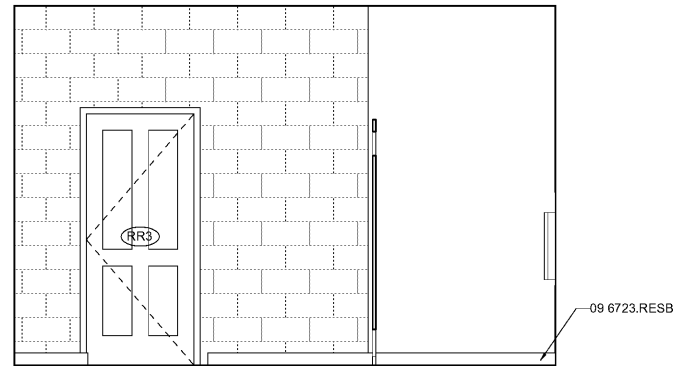
WWW.LORDAECKSARGENT.COM



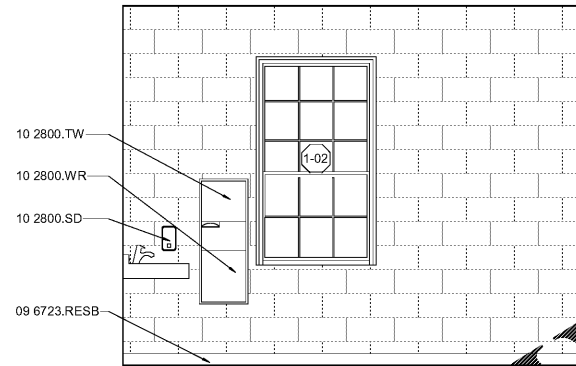
H1 MENS RESTROOM - SOUTH ELEV. B



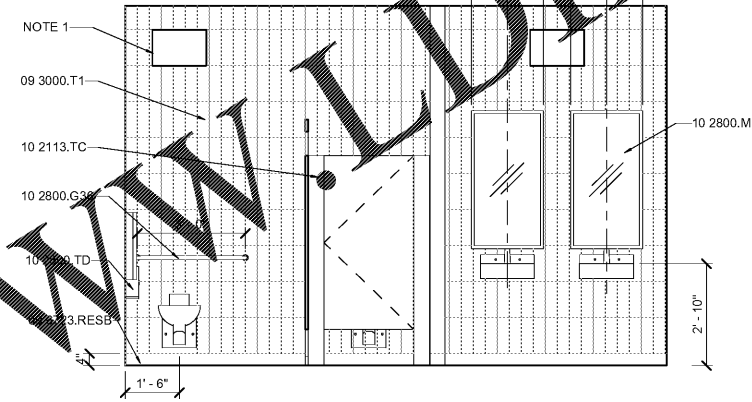
H5 WOMENS RR - NORTH ELEV. B



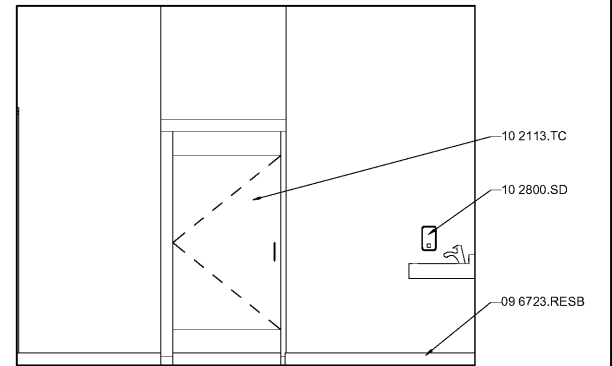
E1 WOMENS RESTROOM - WEST ELEV.



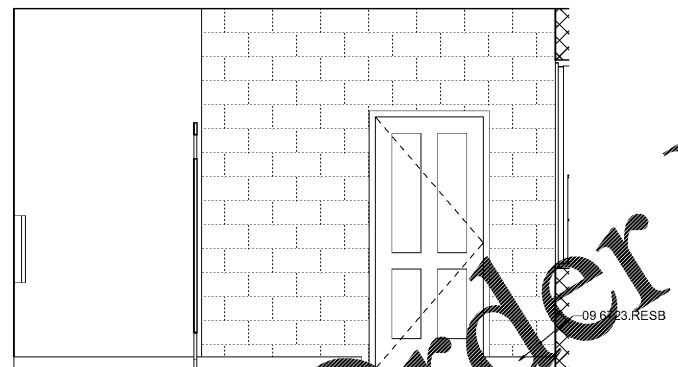
E5 WOMENS RR - SOUTH ELEV. A



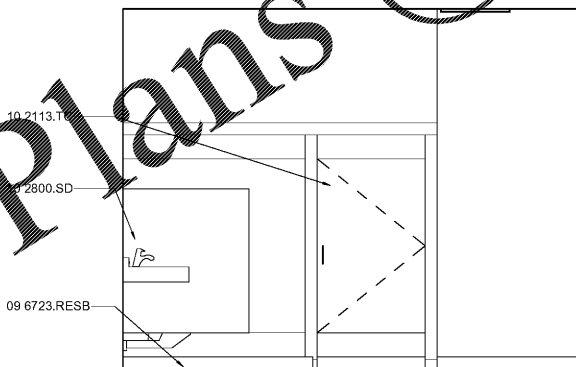
E8 WOMENS RESTROOM - EAST ELEV.



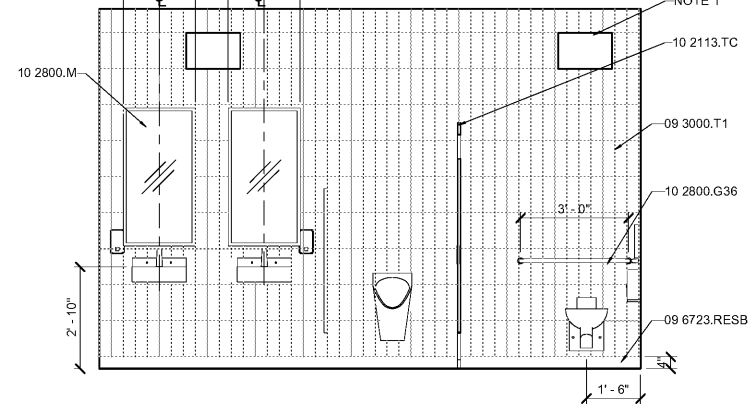
E12 WOMENS RR - NORTH ELEV. A



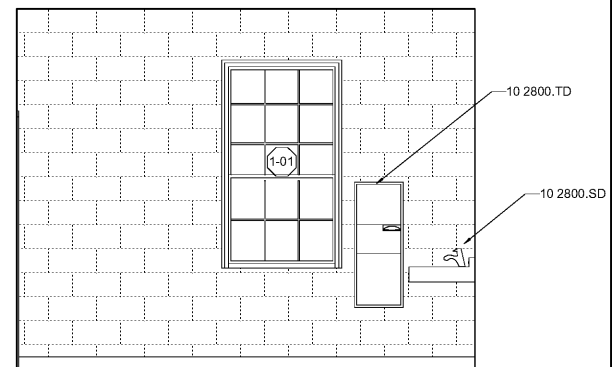
B1 MENS RESTROOM - WEST ELEV.



B5 MENS RESTROOM - SOUTH ELEV. A



B8 MENS RESTROOM - EAST ELEV.



B12 MENS RESTROOM - NORTH ELEV. A

SHEET TITLE
RESTROOM - INTERIOR ELEVATIONS

SCALE (IN/FT)
0 4 8 FT

JOB NAME
GWINNETT COUNTY
ELISHA WINN HOUSE SITE
IMPROVEMENTS
LOCATION
Dacula, Georgia 30019

ISSUE DATE
02/12/2019
JOB NO.
10958-00
DWG. NO.
A611

FOR CONSTRUCTION

MATERIAL KEYNOTES

- 09 3000.T1 TILE 1
- 09 6723.RESB RESINOUS TROWELED COVE BASE
- 10 2113.TC TOILET COMPARTMENT
- 10 2800.CS BABY CHANGING STATION
- 10 2800.G36 GRAB BAR, 36 INCH
- 10 2800.M MIRROR
- 10 2800.SCD SEAT COVER DISPENSER
- 10 2800.SD SOAP DISPENSER
- 10 2800.TD TOILET PAPER DISPENSER
- 10 2800.TW PAPER TOWEL DISPENSER
- 10 2800.WR WASTE RECEPTACLE

GENERAL NOTES

- A. INSTALL ACCESS PANELS ON PLUMBING WALL TO PROVIDE MAINTENANCE ACCESS TO ANY VALVES LOCATED IN PLUMBING CHASE.

SHEET SPECIFIC NOTES

- 1. TRANSFER GRILL - SEE MECHANICAL. CENTER HILL ABOVE/BETWEEN FIXTURES AS SHOWN.

GWINNETT CO. STAMP CDP2019-00035 KEY PLAN

SEAL



PROJECT NORTH