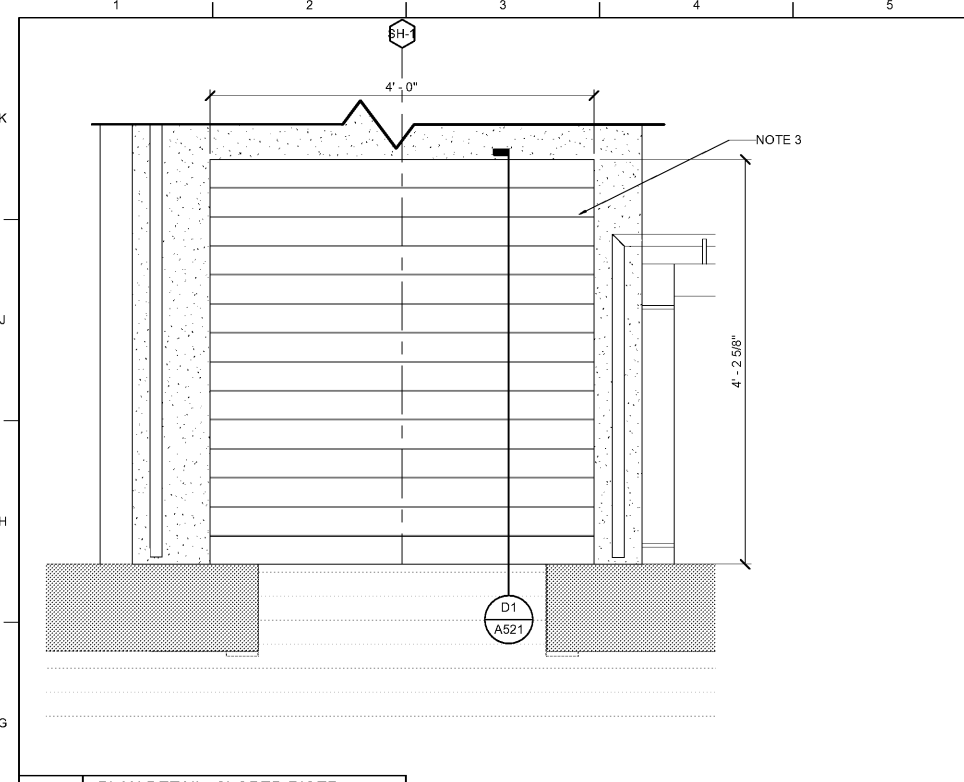
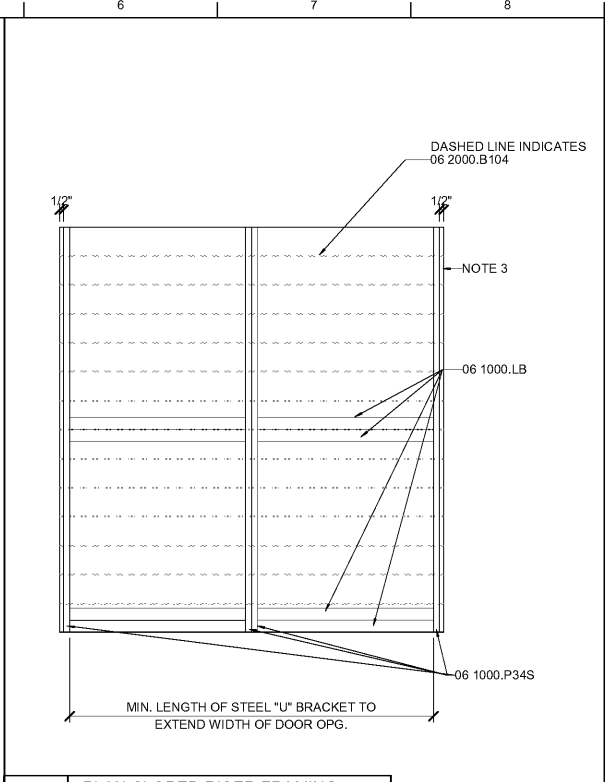


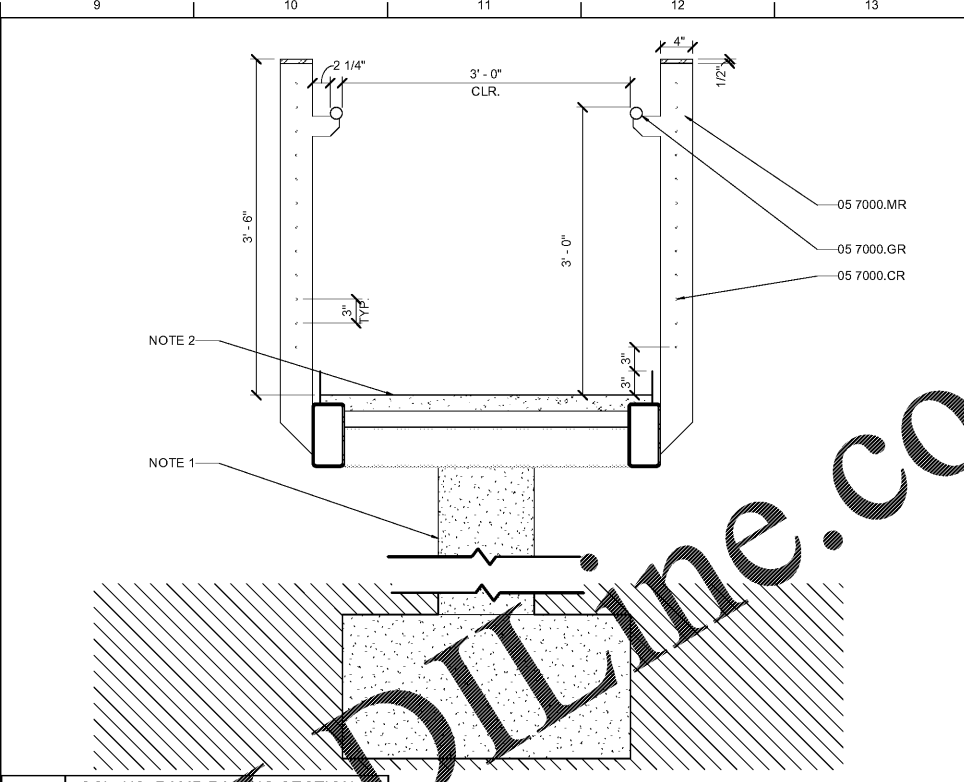
C:\LAS_CADD\Central_10958-00_L18_RNW.rvt
4/17/2019 11:33:08 AM



G1 PLAN DETAIL- SLOPED RISER
0 1 2 FT



G6 PLAN-SLOPED RISER FRAMING
0 1 2 FT



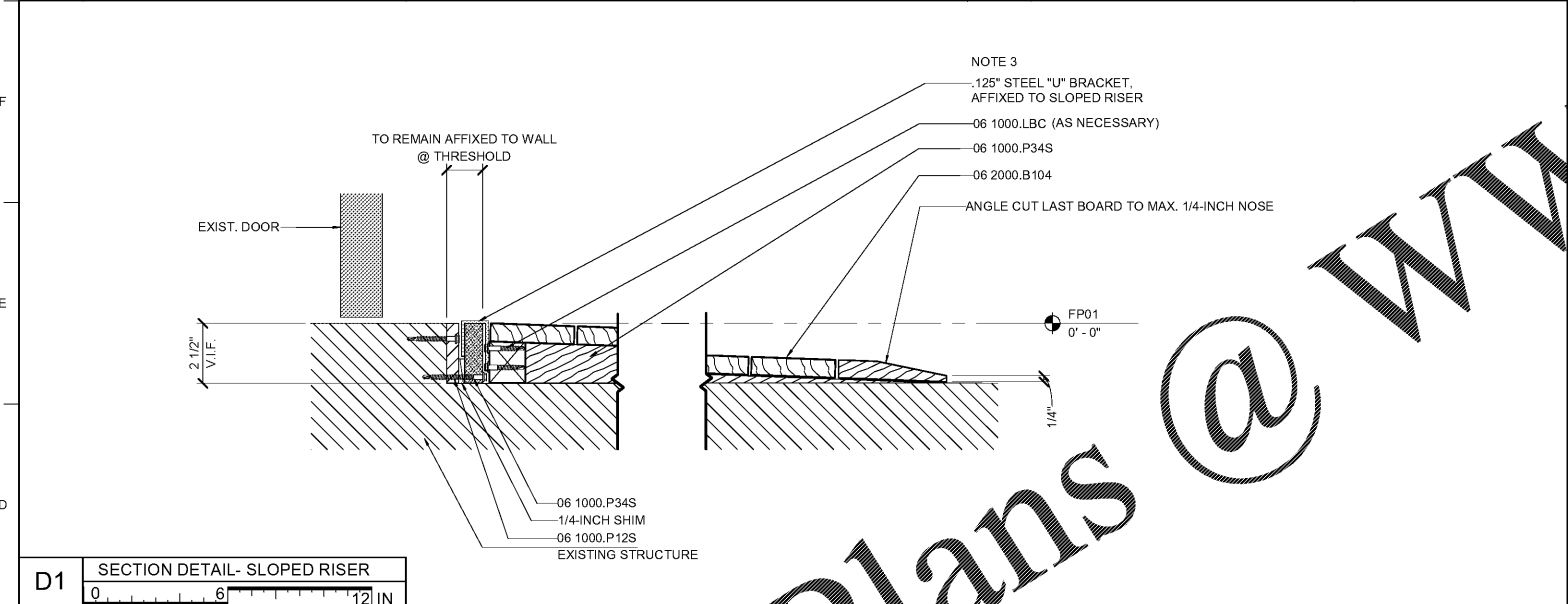
G9 SCL. HS. RAMP RAILING SECTION
0 1 2 FT

MATERIAL KEYNOTES

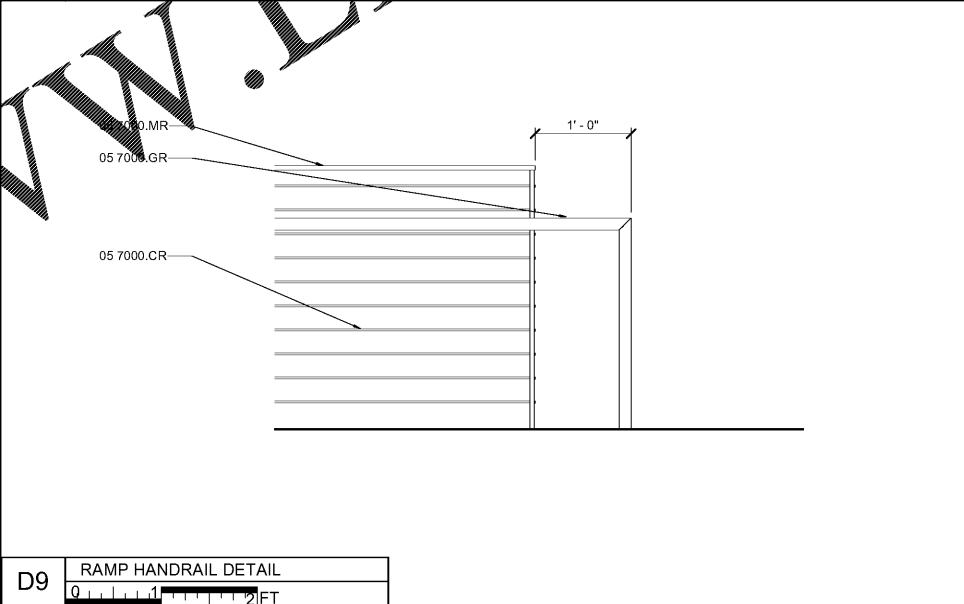
05 7000.CR	STAINLESS STEEL CABLE RAIL
05 7000.GR	STAINLESS STEEL GRIP RAIL
05 7000.MR	METAL RAILING
06 1000.LB	LUMBER - BLOCKING
06 1000.LBC	LUMBER - BLOCKING, CONTINUOUS
06 1000.P12S	1/2" Nom. APA SHEATHING
06 1000.P34S	3/4" Nom. APA SHEATHING
06 2000.B104	1X4 WOOD BOARD

GENERAL NOTES

A. WEATHERED STEEL AT HANDRAIL ELEMENTS TO BE COR-TEN STEEL AND CONFORM TO ASTM A588.



D1 SECTION DETAIL- SLOPED RISER
0 6 12 IN



D9 RAMP HANDRAIL DETAIL
0 1 2 FT



A9 RAMP RAILING TERMINATION
0 1 2 FT

- SHEET SPECIFIC NOTES**
- SEE STRUCTURAL FOR PIER AND FOOTING INFORMATION.
 - RAMP SURFACE TO BE ALUMINUM PLANK WITH STAINLESS STEEL TRACTION COATING. BASIS OF DESIGN: IKG BORDEN HD-70 PLANK WITH HARSCO MEBAC EZ-WELD COATING.
 - INSTALL SLOPED RISER AT PORCH OF HISTORIC ELISHA WINN HOUSE TO ALLOW BARRIER FREE ACCESS TO THE HOUSE. PAINT ALL SURFACES OF SLOPED RISER.

GWINNETT CO. STAMP CDP2019-00035

KEY PLAN

PROJECT NORTH

SEAL

STATE OF GEORGIA
REGISTERED ARCHITECT
JACK H. PYBURN
LICENSE NO. 8542

ISSUE DATE
02/12/2019

JOB NO.
10958-00

DWG. NO.
A521

LORD AECK SARGENT

© 2018 Lord Aeck Sargent
LordAeckSargent.com

Unless otherwise agreed to in writing, this document is the sole property of Lord Aeck Sargent and is to be returned upon demand. The information herein is confidential and may not be used or divulged without the written permission of Lord Aeck Sargent.

REVISION:

SHEET TITLE
ACCESSIBLE RAMP DETAILS

SCALE (N/A)

JOB NAME
GWINNETT COUNTY
ELISHA WINN HOUSE SITE
IMPROVEMENTS

LOCATION
Dacula, Georgia 30019

FOR CONSTRUCTION