

MATERIAL KEYNOTES	
06 1000.P12S	1/2" Nom. APA SHEATHING
06 1000.P34S	3/4" Nom. APA SHEATHING
06 2000.WT	WOOD TRIM
07 1113.BD	BITUMINOUS DAMP-PROOFING
07 2100.EC	EDGE CLOSURE CHANNEL
07 2100.PI15	1.5" POLYISOCYANURATE INSULATION
07 4646.SHL	FIBER CEMENT HORIZONTAL LAP SIDING
07 4646.SPB	FIBER CEMENT SIDING PANEL, BATTEN
07 4646.T	FIBER CEMENT TRIM
07 6200.SS	STAINLESS STEEL SHEET METAL FLASHING
07 6500.SF	SHEET FLASHING
07 9000.JS	JOINT SEALANT
08 5000.W	WINDOW
09 9600.HPC1	HIGH PERFORMANCE COATING COLOR 1

**LORD
AECK
SARGENT**

© 2018 Lord Aeck Sargent
LordAeckSargent.com

Unless otherwise agreed to in writing, this document is the sole property of Lord Aeck Sargent and is to be returned upon demand. The information herein is confidential and may not be used or divulged without the written permission of Lord Aeck Sargent.

GENERAL NOTES

SHEET SPECIFIC NOTES

- INSTALL CONTINUOUS J-MOLD TYPE CLOSURE AT BOTTOM OF WALL INSULATION.
- FLASHING HEIGHT VARIES. COORDINATE EVEN RUNS WITH LEVEL OF ADJACENT HARDSCAPE. SHEET FLASHING TO BE COATED TO MATCH ADJACENT TRIM.

SHEET TITLE
RESTROOM SECTION DETAILS

SCALE (IN.)

JOB NAME
GWINNETT COUNTY
ELISHA WINN HOUSE SITE
IMPROVEMENTS

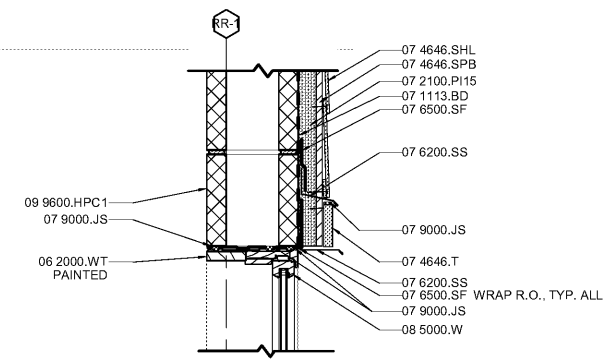
LOCATION
Dacula, Georgia 30019

ISSUE DATE
02/12/2019

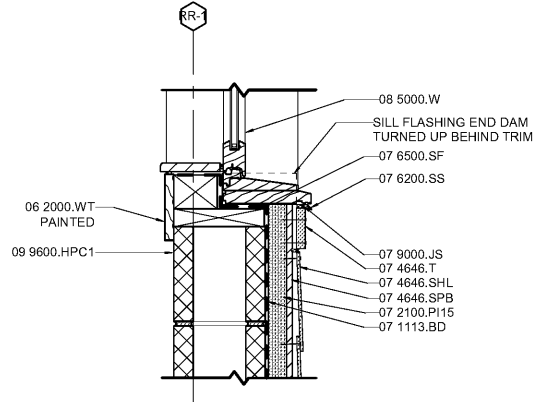
JOB NO.
10958-00

DWG. NO.
A512

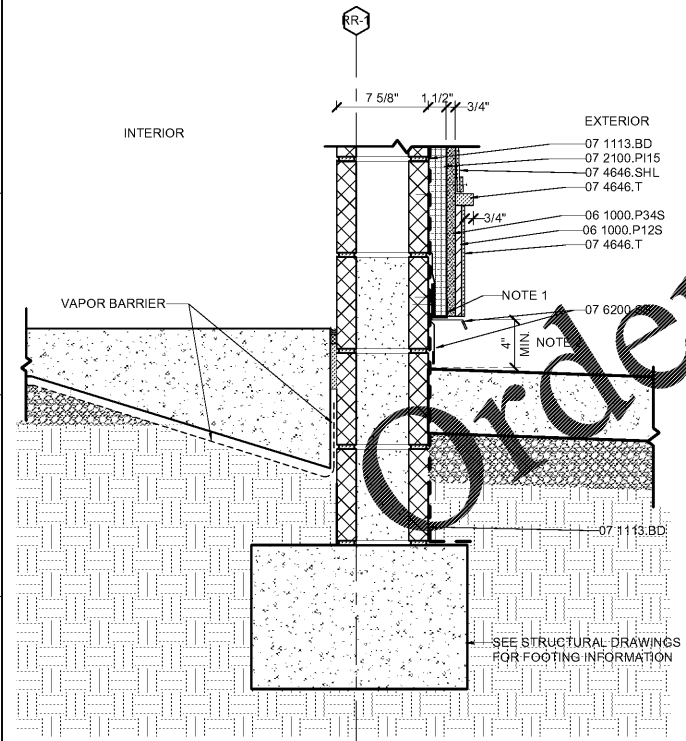
FOR CONSTRUCTION



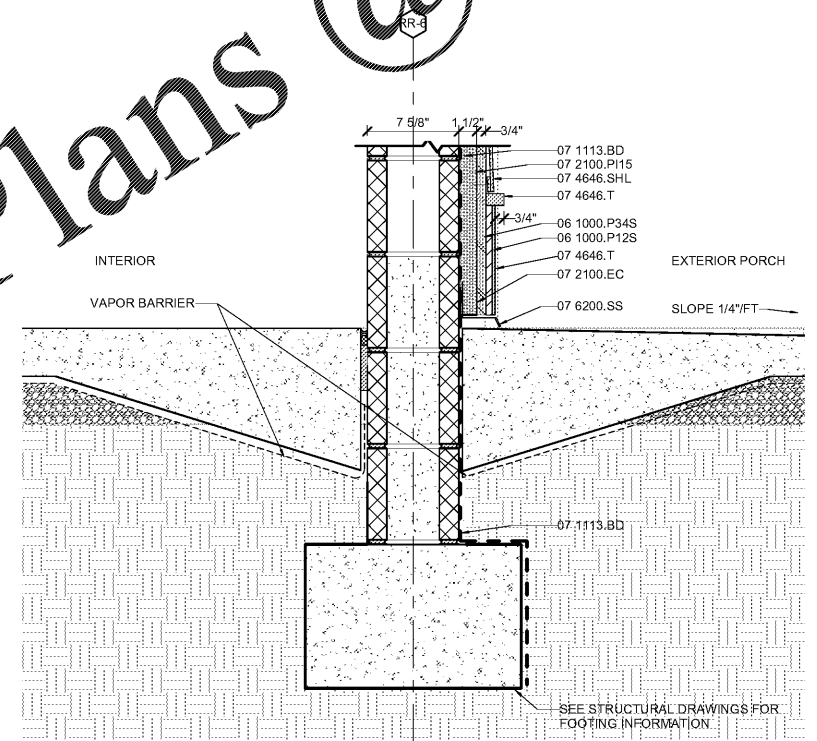
H1 DETAIL-WINDOW HEAD



E1 DETAIL-WINDOW SILL



A1 DETAIL - WALL FOUNDATION



A5 DETAIL - WALL FOUNDATION

C:\LAS_CADD\Central_10958-00_L18_RNW.rvt
4/16/2019 9:47:36 PM