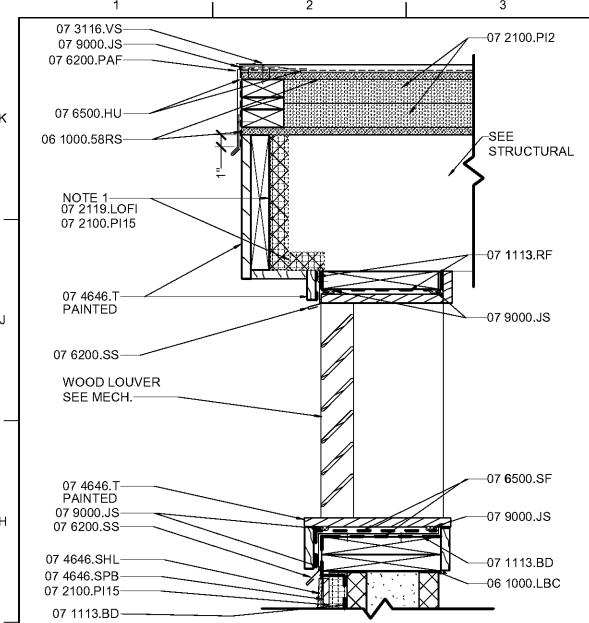
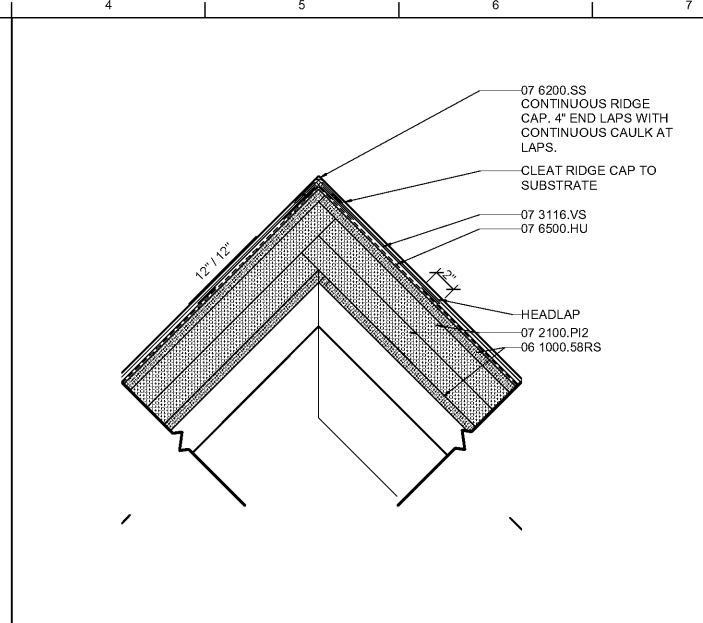


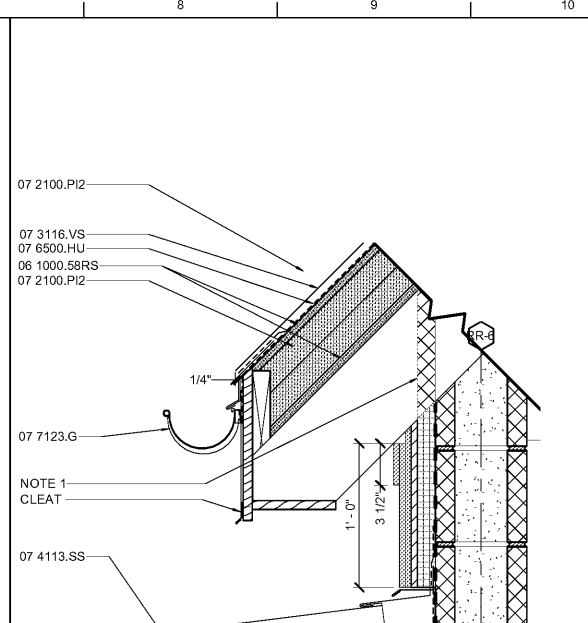
C:\LAS_CADD\Central_10958-00_LY18_RNW.rvt
4/17/2019 11:32:33 AM



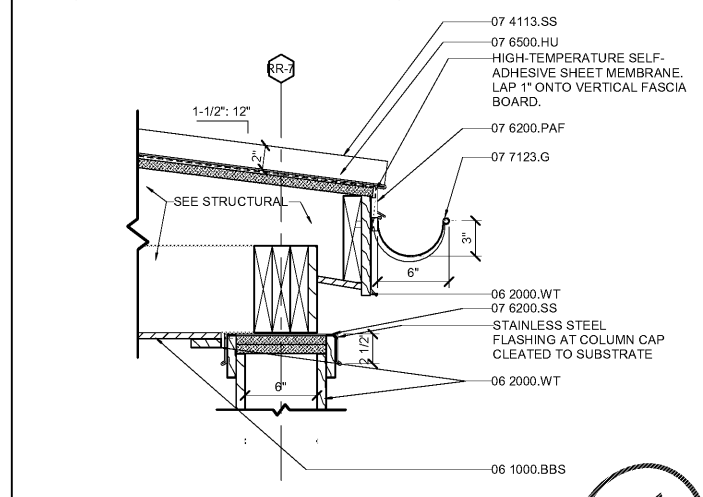
H1 DETAIL-LOUVER & RAKE EDGE
0 1 2 FT



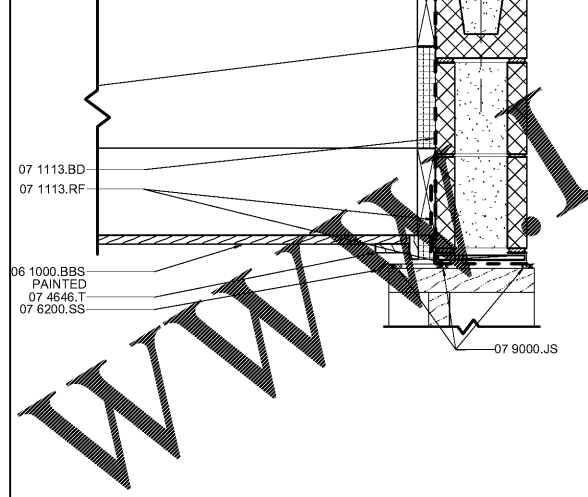
H4 DETAIL-RIDGE
0 1 2 FT



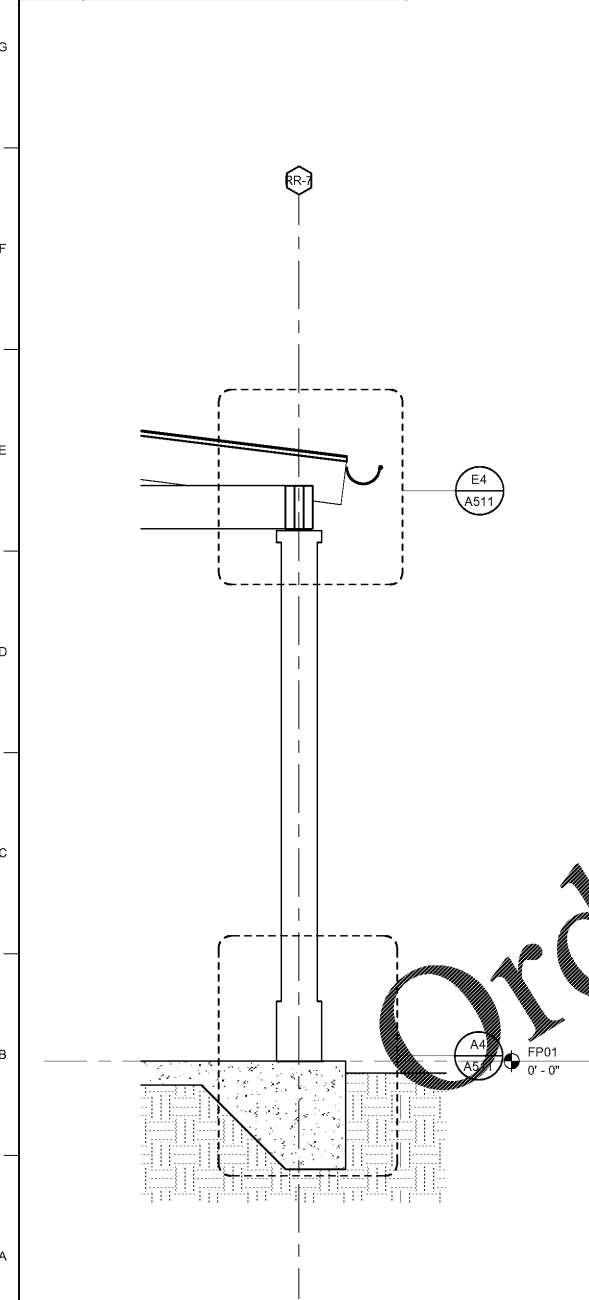
E8 DETAIL-HEADWALL
0 1 2 FT



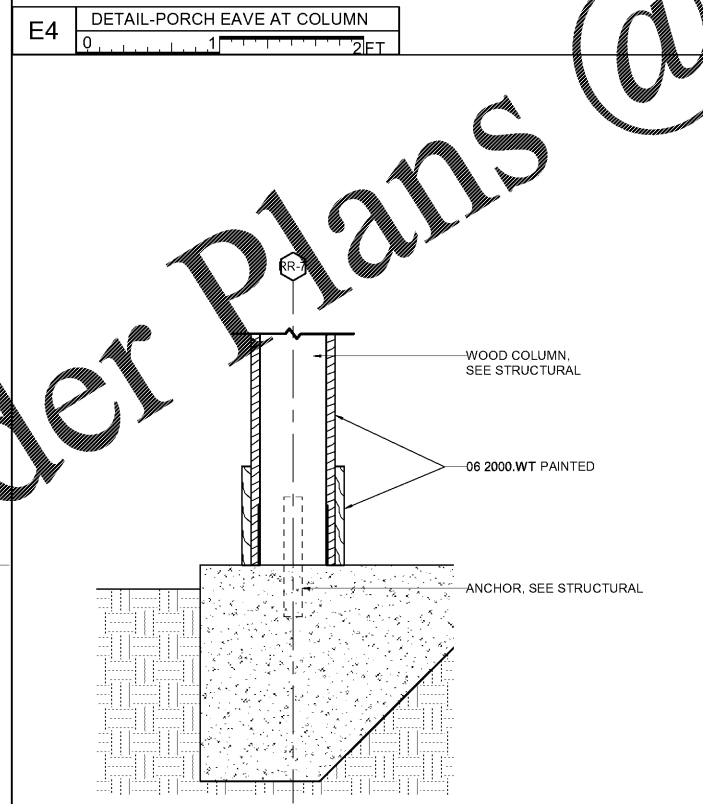
E4 DETAIL-PORCH EAVE AT COLUMN
0 1 2 FT



A10 SECTION DETAIL-EXTERIOR PORCH
0 2 4 FT



A1 SECTION DETAIL-EXTERIOR PORCH
0 2 4 FT



A4 DETAIL-EXTERIOR PORCH COLUMN BASE
0 1 2 FT

MATERIAL KEYNOTES

06 1000.58RS	ROOF SHEATHING - 5/8"
06 1000.BBS	BEADED-BOARD SHEATHING
06 1000.LBC	LUMBER - BLOCKING, CONTINUOUS
06 2000.WT	WOOD TRIM
07 1113.BD	BITUMINOUS DAMP-PROOFING
07 1113.RF	REINFORCED FLASHING
07 2100.PI2	2" POLYISOCYANURATE INSULATION
07 2100.PI15	1.5" POLYISOCYANURATE INSULATION
07 2119.LOFI	LOW-DENSITY, OPEN CELL, FOAMED-IN PLACE INSULATION
07 3116.VS	STAMPED VICTORIAN SHINGLE
07 4113.SS	STANDING SEAM METAL ROOFING
07 4646.SHL	FIBER CEMENT HORIZONTAL LAP SIDING
07 4646.SPB	FIBER CEMENT SIDING PANEL, BATTEN
07 4646.T	FIBER CEMENT TRIM
07 6200.PAF	FIRE-FINISHED ALUMINUM SHEET METAL FLASHING
07 6200.SS	STAINLESS STEEL SHEET METAL FLASHING
06 1000.HU	HIGH TEMPERATURE UNDERLAYMENT
07 6500.SF	SHEET FLASHING
07 7123.G	GUTTER
07 9000.JS	JOINT SEALANT

GENERAL NOTES

SHEET SPECIFIC NOTES

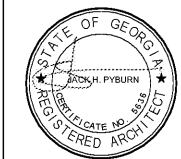
- CUT AND FIT CONTINUOUS INSULATION TIGHT TO FRAMING MEMBERS. APPLY SPRAY-FOAM INSULATION TO SEAL JOINTS AROUND FRAMING. TYPICAL ALL.

LORD AECK SARGENT
© 2018 Lord Aeck Sargent
LordAeckSargent.com
Unless otherwise agreed to in writing, this document is the sole property of Lord Aeck Sargent and is to be returned upon demand. The information herein is confidential and may not be used or divulged without the written permission of Lord Aeck Sargent.

SHEET TITLE
RESTROOM SECTION DETAILS
SCALE (N.D.)

JOB NAME
GWINNETT COUNTY
ELISHA WINN HOUSE SITE
IMPROVEMENTS
LOCATION
Dacula, Georgia 30019

ISSUE DATE
02/12/2019
JOB NO.
10958-00
DWG. NO.
A511



FOR CONSTRUCTION