

Order Plans @ www.LDILine.com

MATERIAL KEYNOTES

07 1113.BD	BITUMINOUS DAMP-PROOFING
07 2100.PI15	1.5" POLYISOCYANURATE INSULATION
07 4646.SHL	FIBER CEMENT HORIZONTAL LAP SIDING
07 4646.SPB	FIBER CEMENT SIDING PANEL, BATTEN
07 4646.T	FIBER CEMENT TRIM
07 9000.JS	JOINT SEALANT
08 1100.SF	STEEL FRAME
08 1433.WSR	WOOD STILE & RAIL DOOR

**LORD
AECK
SARGENT**

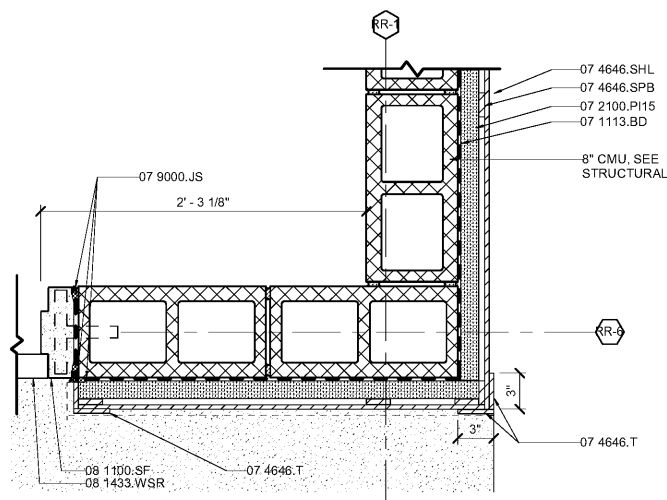
© 2018 Lord Aeck Sargent
LordAeckSargent.com
Unless otherwise agreed to in writing, this document is the sole property of Lord Aeck Sargent and is to be returned upon demand. The information herein is confidential and may not be used or divulged without the written permission of Lord Aeck Sargent.

REVISION:

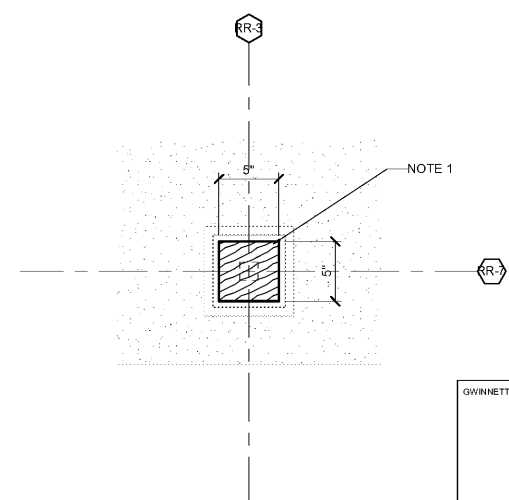
GENERAL NOTES

SHEET SPECIFIC NOTES

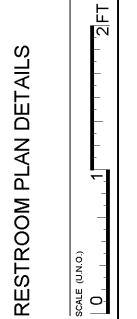
- 6" x 6" WOOD COLUMN. SEE STRUCTURAL.



A6 PLAN DETAIL-HM DOOR JAMB
0 1 2 FT



A10 PLAN DETAIL-PORCH COLUMN
0 1 2 FT

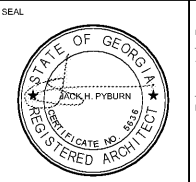


JOB NAME
GWINNETT COUNTY
ELISHA WINN HOUSE SITE
IMPROVEMENTS
LOCATION
Dacula, Georgia 30019

ISSUE DATE
02/12/2019
JOB NO.
10958-00
DWG. NO.

A501

FOR CONSTRUCTION



PROJECT NORTH

GWINNETT CO. STAMP CDP2019-00035
KEY PLAN