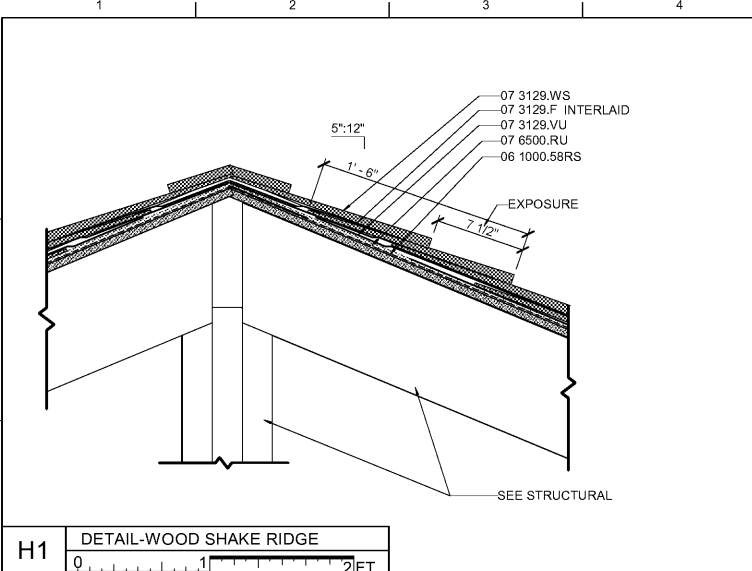
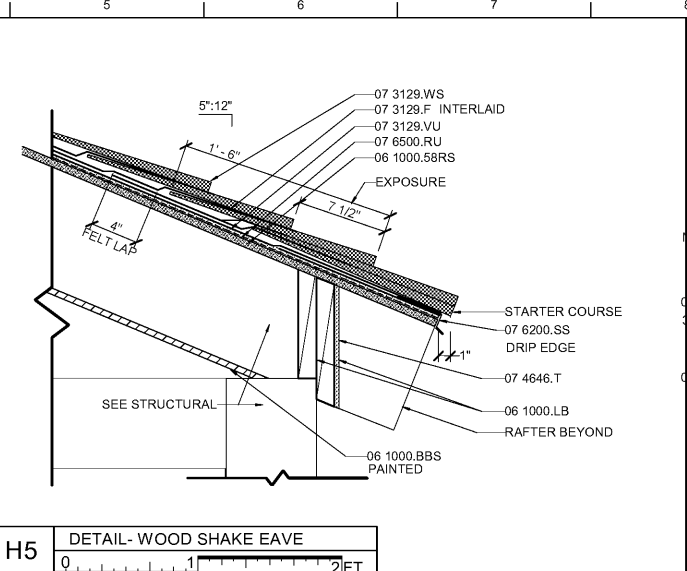


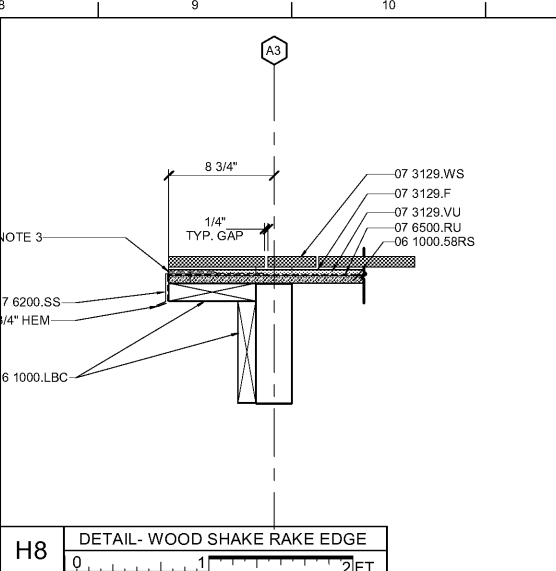
C:\LAS\_CADD\Central\_10958-00\_v18\_RNW.dwg  
4/16/2019 9:47:30 PM



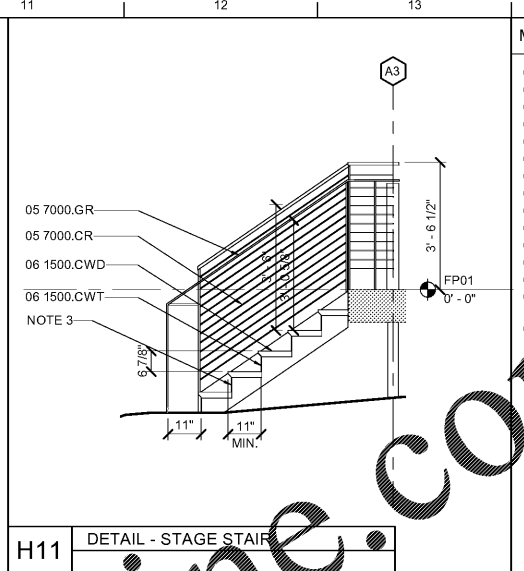
H1 DETAIL-WOOD SHAKE RIDGE  
0 1 2 FT



H5 DETAIL-WOOD SHAKE EAVE  
0 1 2 FT



H8 DETAIL-WOOD SHAKE RAKE EDGE  
0 1 2 FT

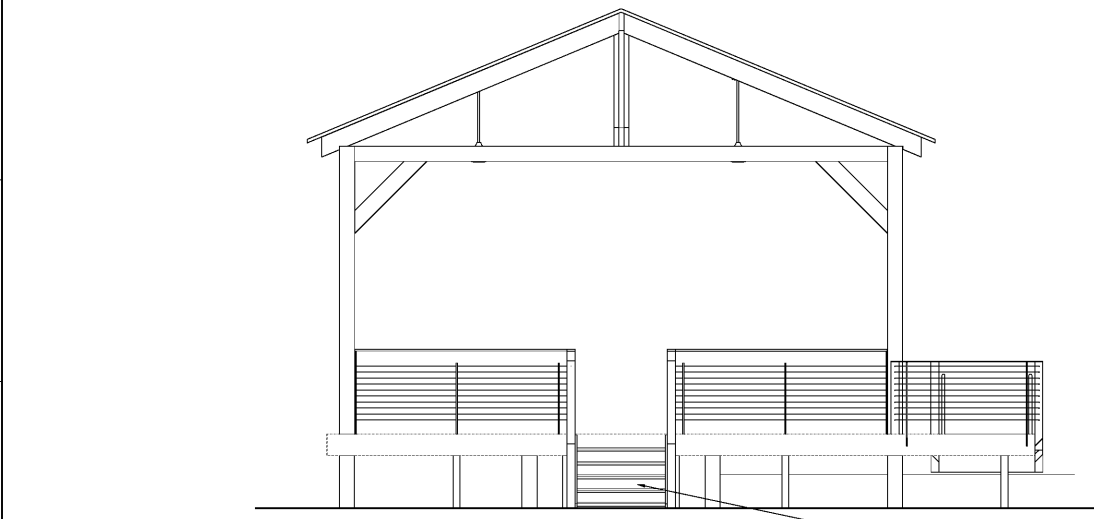


H11 DETAIL - STAGE STAIR  
0 1 2 FT

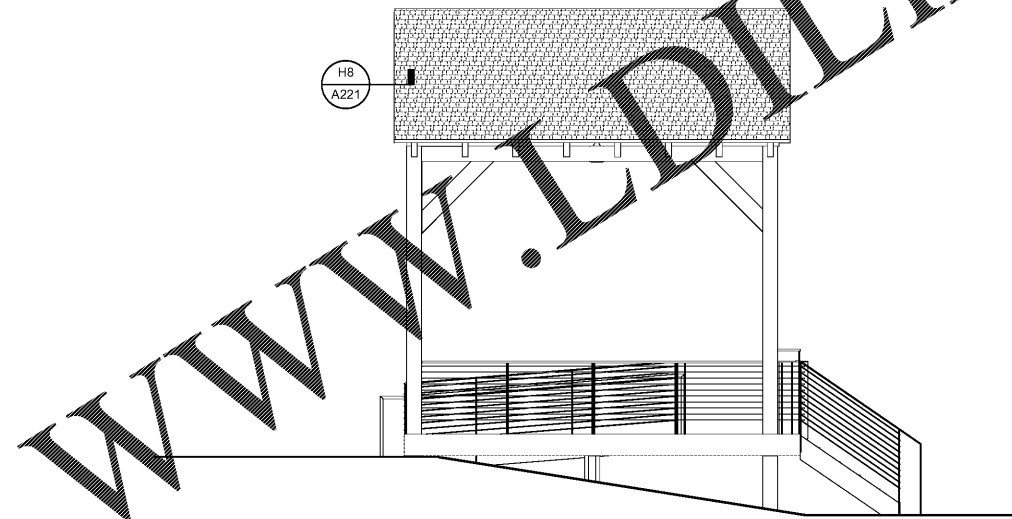
**MATERIAL KEYNOTES**

05 7000.CR	STAINLESS STEEL CABLE RAIL
05 7000.GR	STAINLESS STEEL GRIP RAIL
05 7000.MR	METAL RAILING
06 1000.58RS	ROOF SHEATHING - 5/8"
06 1000.BBS	BEADED-BOARD SHEATHING
06 1000.LB	LUMBER - BLOCKING
06 1000.LBC	LUMBER - BLOCKING, CONTINUOUS
06 1500.CWD	COMPOSITE WOOD DECKING
06 1500.CWT	COMPOSITE WOOD TRIM
07 3129.F	FELT
07 3129.VU	VENTILATED UNDERLAYMENT
07 3129.WS	WOOD SHAKES
07 4646.T	FIBER CEMENT TRIM
07 6200.SS	STAINLESS STEEL SHEET METAL FLASHING
07 6500.RU	ROOFING UNDERLAYMENT

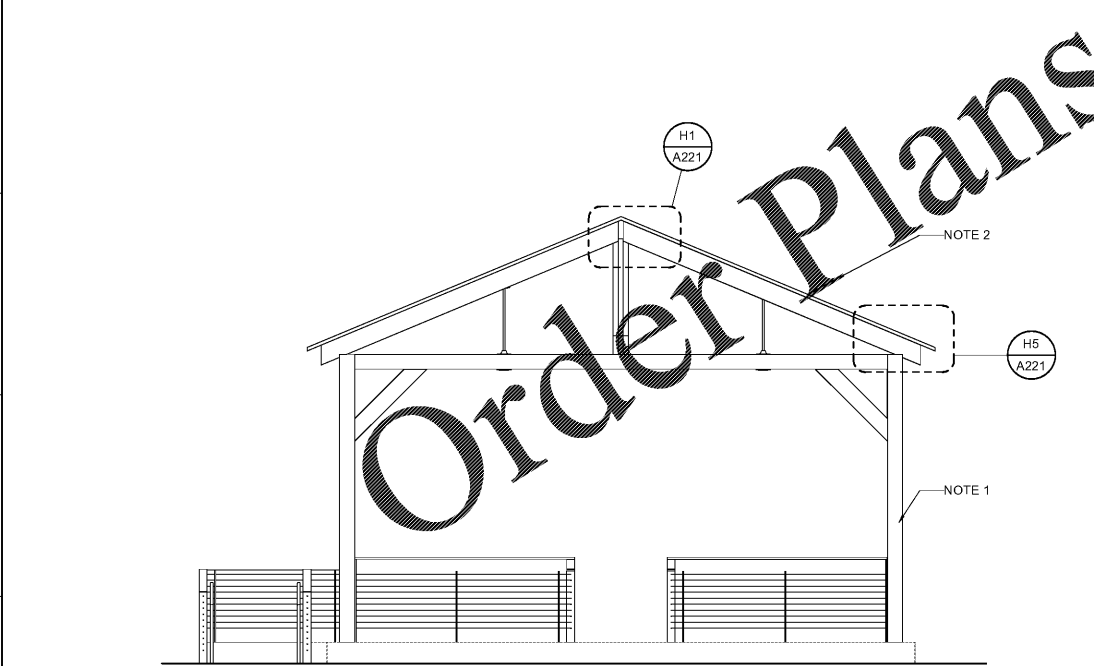
**LORD AECK SARGENT**  
© 2018 Lord Aeck Sargent  
LordAeckSargent.com  
Unless otherwise agreed to in writing, this document is the sole property of Lord Aeck Sargent and is to be returned upon demand. The information herein is confidential and may not be used or divulged without the written permission of Lord Aeck Sargent.



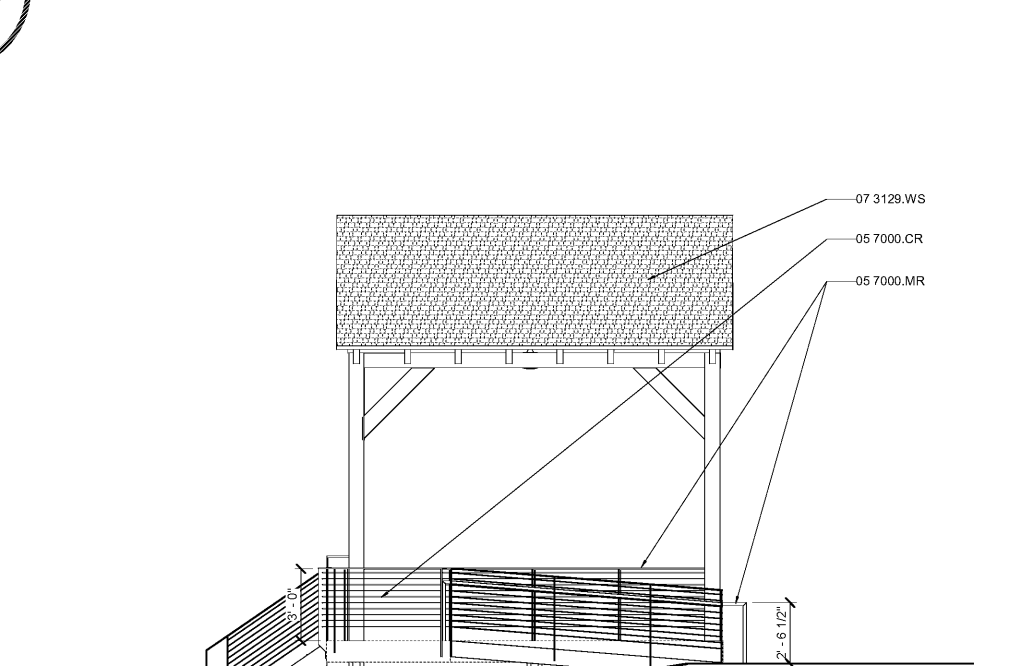
E1 STAGE ELEVATION - EAST



E7 STAGE ELEVATION - SOUTH



A1 STAGE ELEVATION - WEST



A7 STAGE ELEVATION - NORTH

**GENERAL NOTES**

**SHEET SPECIFIC NOTES**

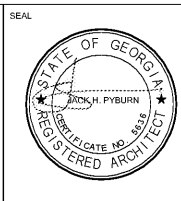
1. HEAVY TIMBER COLUMN.
2. HEAVY TIMBER TRUSS.
3. STAIRS ARE TO BE SOLID WITH NO PERFORATIONS, NOSINGS OR OPEN RISERS.

SHEET TITLE  
STAGE - ELEVATIONS AND DETAILS  
SCALE (IN 1/8")  
0 4 8 FT

JOB NAME  
GWINNETT COUNTY  
ELISHA WINN HOUSE SITE  
IMPROVEMENTS  
LOCATION  
Dacula, Georgia 30019

ISSUE DATE  
02/12/2019  
JOB NO.  
10958-00  
DWG. NO.  
A221

GWINNETT CO. STAMP CDP2019-00035  
KEY PLAN  
PROJECT NORTH



FOR CONSTRUCTION