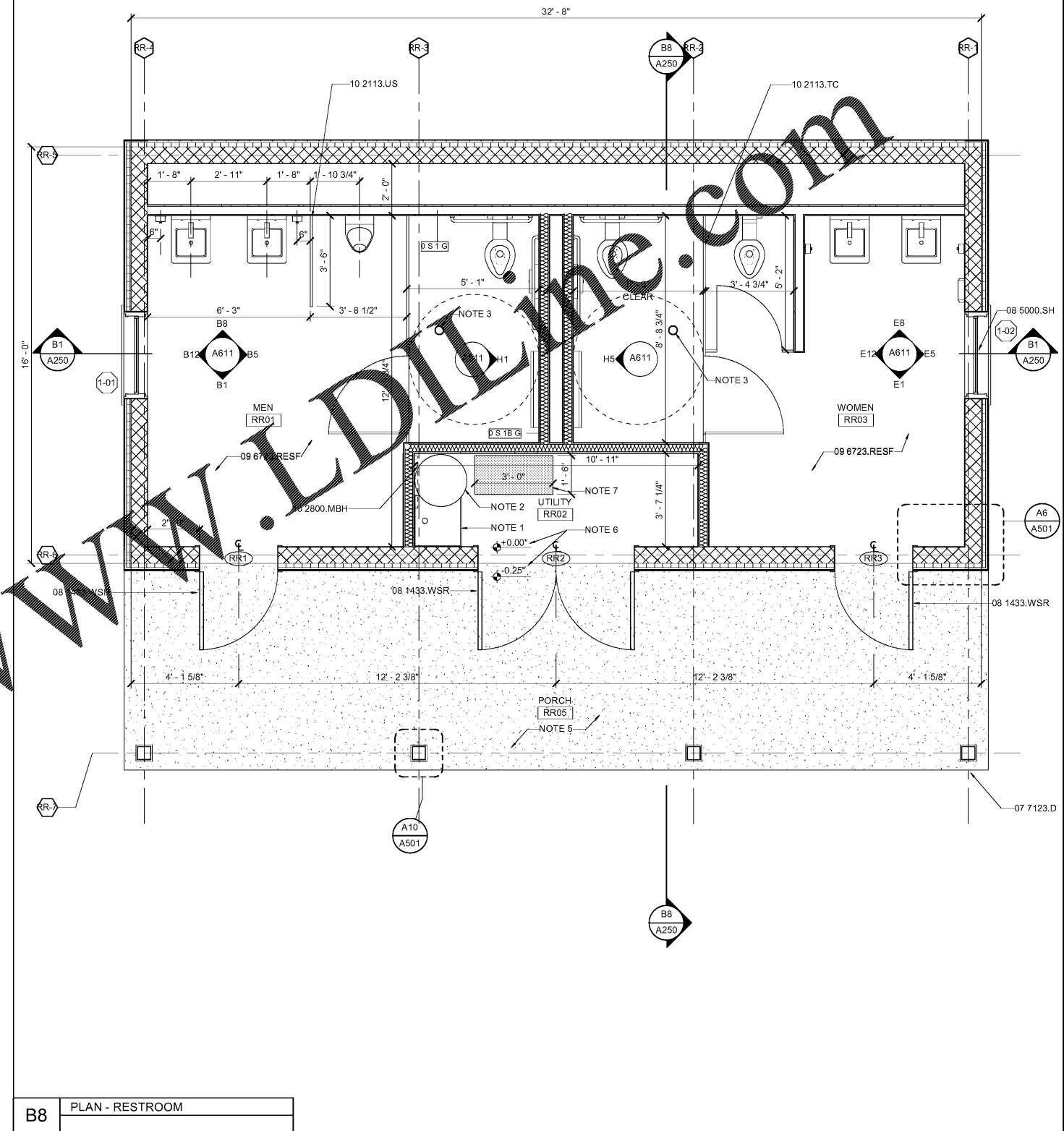


B1 PLAN - RESTROOM FOUNDATION

MATERIAL KEYNOTES

07 7123.D	DOWNSPOUT
08 1433.WSR	WOOD STILE & RAIL DOOR
08 5000.SH	SINGLE HUNG WINDOW
09 6723.RESF	RESINOUS FLOORING
10 2113.TC	TOILET COMPARTMENT
10 2113.US	URINAL SCREEN
10 2800.MBH	MOP & BROOM HOLDER



B8 PLAN - RESTROOM

GENERAL NOTES

- SEE A001 FOR WALL TYPES.
- ALL EXTERIOR WALLS TO BE 0 M 49, U.N.O.
- ALL INTERIOR WALLS TO BE 1 S 49 G, U.N.O.

SHEET SPECIFIC NOTES

- MOP SINK. SEE PLUMBING.
- WALL MOUNTED HOT WATER HEATER. SEE PLUMBING.
- FLOOR DRAIN WITH TRAP PRIMER. SEE PLUMBING. SLOPE FLOOR TO DRAIN MAX. 2% ALL DIRECTIONS. TYPICAL BOTH DRAINS.
- (NOT USED).
- BEAD BLAST CONCRETE SLAB TO REMAIN EXPOSED AND SEAL.
- VIF AND COORDINATE ALL EXTERIOR GRADE ELEVATIONS WITH CIVIL DRAWINGS.
- SHELVING UNIT - GLOBAL INDUSTRIAL NEXEL CHROME WIRE SHELF TRUCK OR EQUIVALENT, 36"W x 18" DEEP x 69" HIGH, 1200 LBS CAPACITY.

