

PROJECT KEYNOTE LIST

05 7000.CR	STAINLESS STEEL CABLE RAIL
05 7000.GR	STAINLESS STEEL GRIP RAIL
05 7000.MR	METAL RAILING
06 1000.5BRS	ROOF SHEATHING - 5/8"
06 1000.BBS	BEADED-BOARD SHEATHING
06 1000.LB	LUMBER - BLOCKING
06 1000.LBC	LUMBER - BLOCKING, CONTINUOUS
06 1000.P12S	1/2" Nom. APA SHEATHING
06 1000.P34S	3/4" Nom. APA SHEATHING
06 1500.CWD	COMPOSITE WOOD DECKING
06 1500.CWT	COMPOSITE WOOD TRIM
06 2000.B104	1X4 WOOD BOARD
06 2000.CP	PLYWOOD CEILING PANEL
06 2000.WT	WOOD TRIM
07 1113.BD	BITUMINOUS DAMP-PROOFING
07 1113.RF	REINFORCED FLASHING
07 2100.EC	EDGE CLOSURE CHANNEL
07 2100.Pi2	2" POLYISOCYANURATE INSULATION
07 2100.Pi15	1.5" POLYISOCYANURATE INSULATION
07 2119.LOFI	LOW-DENSITY, OPEN CELL, FOAMED-IN PLACE INSULATION
07 3116.VS	STAMPED VICTORIAN SHINGLE
07 3129.F	FELT
07 3129.VU	VENTILATED UNDERLAYMENT
07 3129.WS	WOOD SHAKES
07 4113.SS	STANDING SEAM METAL ROOFING
07 4646.FP	FURRING PLYWOOD STRIP, 3/4 X 4 INCH ACTUAL
07 4646.SHL	FIBER CEMENT HORIZONTAL LAP SIDING
07 4646.SPB	FIBER CEMENT SIDING PANEL, BATTEN
07 4646.T	FIBER CEMENT TRIM
07 6200.PAF	PRE-FINISHED ALUMINUM SHEET METAL FLASHING
07 6200.SS	STAINLESS STEEL SHEET METAL FLASHING
07 6500.HU	HIGH TEMPERATURE UNDERLAYMENT
07 6500.RU	ROOFING UNDERLAYMENT
07 6500.SF	SHEET FLASHING
07 7123.D	DOWNSPOUT
07 7123.G	GUTTER
07 9000.JS	JOINT SEALANT
08 1100.SF	STEEL FRAME
08 1433.WSR	WOOD S/TILE & RAIL DOOR
08 3100.AD	CEILING ACCESS DOOR
08 5000.SH	SINGLE HUNG WINDOW
08 5000.W	WINDOW
08 8000.ILM	INSULATING, IMPACT RESISTANT, CLEAR, LOW E GLASS
09 2116.FS	METAL STUD
09 2116.IRG	IMPACT RESISTANT GYPSUM WALLBOARD
09 2116.SAB	SOUND ATTENUATION BATT
09 3000.T1	TILE 1
09 6723.RESB	RESINOUS TROWELED COVE BASE
09 6723.RESF	RESINOUS FLOORING
09 9600.HPC1	HIGH PERFORMANCE COATING COLOR 1
10 2113.TC	TOILET COMPARTMENT
10 2113.US	URINAL SCREEN
10 2800.CS	BABY CHANGING STATION
10 2800.G36	GRAB BAR, 36 INCH
10 2800.M	MIRROR
10 2800.MBH	MOP & BROOM HOLDER
10 2800.SCD	SEAT COVER DISPENSER
10 2800.SD	SOAP DISPENSER
10 2800.TD	TOILET PAPER DISPENSER
10 2800.TW	PAPER TOWEL DISPENSER
10 2800.WR	WASTE RECEPTACLE

ABBREVIATIONS

A	AND	EW	ELECTRIC WATER HEATER	K	PLYWOOD	V	VAPOR BARRIER
&	AND	EXIST	EXISTING	KD	KNOCKDOWN	VB	VINYL COMPOSITION TILE
@	AT	EXP	EXPANSION, EXPOSED	KG	KILOGRAM	VCT	VERTICAL
A/C	AIR CONDITIONING	EXT	EXTERIOR	KIT	KITCHEN	VIF	VERIFY IN FIELD
AB	ANCHOR BOLT	F	FIRE ALARM	KO	KNOCKOUT, KNEE OPENING	VTR	VENT THROUGH ROOF
ACOUST	ACOUSTICAL	FA	FACE BRICK	KS	KNEE SPACE	VWC	VINYL WALL COVERING
ACT	ACOUSTIC CEILING TILE	FB	FACE OF CONCRETE	L	LONG, LENGTH	W	WIDTH, WEST
AD	AREA DRAIN	FD	FLOOR DRAIN	LAB	LABORATORY	W	WITH
AFF	ABOVE FINISHED FLOOR	FE	FIRE EXTINGUISHER IN CABINET	LAV	LAVATORY	WO	WITHOUT
AHU	AIR HANDLING UNIT	FEX	FIRE EXTINGUISHER ON BRACKET	LB	LOAD BEARING	WC	WATER CLOSET, WALL COVERING
ALT	ALTERNATE	FF	FINISHED FLOOR	LBS	POUNDS	WD	WOOD
ALUM	ALUMINUM	FFE	FINISHED FLOOR ELEVATION	LEV	LEVEL	WGL	WIRE GLASS
APPROX	APPROXIMATE	FH	FIRE HYDRANT	LH	LEFT HAND	WH	WATER HEATER
ARCH	ARCHITECTURAL	FHC	FIRE HOSE CABINET	LHR	LEFT HAND REVERSE	WP	WATERPROOFING
AV	AUDIO-VISUAL	FIN	FINISH	LIN	LINOLEUM	WT	WEIGHT
AVG	AVERAGE	FL	FLOOR, FLOORING	LLH	LONG LEG HORIZONTAL	WWM	WELDED WIRE MESH
B	BOARD	FO	FACE OF	LLV	LONG LEG VERTICAL	R	RADIUS, RISER
BD	BOARD	FOC	FACE OF CONCRETE	LP	LOW POINT	R/A	RETURN AIR
BEJ	BRICK EXPANSION JOINT	FOM	FACE OF MASONRY	LT	LIGHT	RB	RESILIENT BASE
BLDG	BUILDING	FOS	FACE OF STUDS	LTL	LINTEL	RD	ROOF DRAIN
BLKG	BLOCKING	FP	FIREPROOF	LVR	LOUVER	REF	REFERENCE
BO	BOTTOM OF	FR	FIRE RATED	LW	LIGHTWEIGHT	REINF	REINFORCED, REINFORCING
BOT	BOTTOM	FRP	FIBERGLASS REINFORCED PLASTIC	M	METER	REQD	REQUIRED
BRG	BEARING	FRT	FIRE RETARDED TREATED	M	METER	RES	RESILIENT
BRK	BRICK	FS	FIRE RATED	MAINT	MAINTENANCE	REV	REVISION
BSMT	BASEMENT	FT	FOOT, FEET	MAX	MAXIMUM	RH	RIGHT HAND
BUR	BUILT-UP ROOF	FTG	FOOTING	MDF	MEDIUM DENSITY FIBERBOARD	RHR	RIGHT HAND REVERSE
C	CABINET	FURN	FURNISH	MDO	MEDIUM DENSITY OVERLAY	RL	RAIN LEADER
CAB	CABINET	FUT	FUTURE	MECH	MECHANICAL	RM	ROOM
CB	CATCH BASIN	FV	FIELD VERIFY	MET	METAL	ROW	RIGHT OF WAY
CF	CUBIC FEET	G	GAS	MEZZ	MEZZANINE	RTU	ROOFTOP UNIT
CFM	CUBIC FEET PER MINUTE	GA	GAUGE	MFG	MANUFACTURING	RUB	RUBBER
CFMF	COLD-FORMED METAL FRAMING	GALV	GALVANIZED	MFR	MANUFACTURER	S	SOUTH
CJ	CONTROL JOINT	GB	GRAB BAR	MH	MANHOLE	S/A	SUPPLY AIR
CL	CENTERLINE	GC	GENERAL CONTRACTOR	MIN	MINIMUM	S/CONC	SEALED CONCRETE
CLG	CEILING	GCMU	GLAZED CONCRETE MASONRY UNIT	MIR	MIRROR	SCHED	SCHEDULE
CLOS	CLOSET	GD	GRADE	MISC	MISCELLANEOUS	SE	SOUTHEAST
CM	CENTIMETER	GFR	GLASS FIBER REINFORCED CONCRETE	MM	MILLIMETER	SECT	SECTION
CMU	CONCRETE MASONRY UNIT	GFRG	GLASS FIBER REINFORCED GYPSUM	MNT	MOUNT	SF	SQUARE FOOT
CO	CLEAR OPENING, CLEAN OUT	GL	GLASS	MO	MASONRY OPENING	SIM	SIMILAR
COL	COL	GWB	GYPSUM WALL BOARD	MTG	MOUNTING	SPECS	SPECIFICATIONS
CONC	CONCRETE	GYP	GYPSUM	MTL	METAL	SQ	SQUARE
CONF	CONFERENCE	H	HOSE BIBB	MULL	MULLION	SS	STAINLESS STEEL
CONST	CONSTRUCTION	HB	HOSE BIBB	N	NORTH	STD	STANDARD
CONT	CONTINUOUS	HC	HANDICAPPED, HOLLOW CORE	NE	NORTHEAST	STL	STEEL
CORR	CORRIDOR	HD	HAND	NE	NORTHEAST	STND	STAINED
CPT	CARPET	HDR	HEADER	NIC	NOT IN CONTRACT	STOR	STORAGE
CT	CERAMIC TILE	HDW	HARDWARE	NO	NUMBER	STRUCT	STRUCTURAL
CW	CHILLED WATER	HDWD	HARDWOOD	NOM	NOMINAL	SUSP	SUSPENDED
CY	CUBIC YARD	HK	HOOK(S)	OS	OVERALL	SW	SOUTHWEST
D	DEEP	HM	HOLLOW METAL	OC	ON CENTER	SYM	SYMMETRICAL
DBL	DOUBLE	HORIZ	HORIZONTAL	OD	OUTSIDE DIAMETER	SYS	SYSTEM
DET	DETAIL	HP	HIGH POINT, HIGH POWER	OFCI	OWNER FURNISHED CONTRACTOR INSTALLED	T	TREAD
DF	DRINKING FOUNTAIN	HR	HOUR	OFF	OFFICE	T&B	TOP AND BOTTOM
DIA	DIAMETER	HS	HEAT STRENGTHENED	OFFO	OWNER FURNISHED OWNER INSTALLED	T&G	TONGUE AND GROOVE
DIAG	DIAGONAL	HT	HEAT TREAT	OH	OVERHEAD, OPPOSITE HAND	TC	TOP OF CURB
DIAM	DIMENSION	HVAC	HEATING VENTILATION AIR CONDITIONING	OPNG	OPENING	TEL	TELEPHONE
DIM	DIMENSION	HW	HOT WATER	OPP	OPPOSITE	TEMP	TEMPORARY
DN	DOWN	ID	INSIDE DIAMETER	OTO	OUT-TO-OUT	THK	THICK, THICKNESS
DR	DOOR	INSUL	INSULATION	P	PARTICLE BOARD	TO	TOP OF
DS	DOWNSPOUT	IN	INTERIOR	PBD	PARTICLE BOARD	TOC	TOP OF CONCRETE
DWG(S)	DRAWING(S)	INV	INVERT	PC	PRECAST	TOS	TOP OF STEEL
E	EAST	J	JANITOR	PERF	PERFORATED	TOW	TOP OF WALL
EA	EACH	JC	JANITOR CLOSET	PL	PLATE, PROPERTY LINE	TS	TRANSPARENT
EF	EACH FACE	JST	JOIST	PLAM	PLASTIC LAMINATE	TYP	TYPICAL
EFIS	EXTERIOR INSULATION FINISH SYSTEM	JT	JOINT	PLAS	PLASTER	U	UNDERCUT
EJ	EXPANSION JOINT	K	KNOCKDOWN	PLBG	PLUMBING	UC	UNDERCUT
EL	ELECTRICAL	KD	KNOCKDOWN	PLWD	PLYWOOD	UH	UNIT HEATER
ELEC	ELECTRICAL	KG	KILOGRAM			UNFIN	UNFINISHED
ELEV	ELEVATION	KIT	KITCHEN			UNO	UNLESS NOTED OTHERWISE
EQ	EQUIPMENT	KO	KNOCKOUT, KNEE OPENING			UTIL	UTILITY
EQ	EQUIPMENT	KS	KNEE SPACE				
EQ	EQUIPMENT	L	LONG, LENGTH				
EQ	EQUIPMENT	LAB	LABORATORY				
EQ	EQUIPMENT	LAV	LAVATORY				
EQ	EQUIPMENT	LB	LOAD BEARING				
EQ	EQUIPMENT	LBS	POUNDS				
EQ	EQUIPMENT	LEV	LEVEL				
EQ	EQUIPMENT	LH	LEFT HAND				
EQ	EQUIPMENT	LHR	LEFT HAND REVERSE				
EQ	EQUIPMENT	LIN	LINOLEUM				
EQ	EQUIPMENT	LLH	LONG LEG HORIZONTAL				
EQ	EQUIPMENT	LLV	LONG LEG VERTICAL				
EQ	EQUIPMENT	LP	LOW POINT				
EQ	EQUIPMENT	LT	LIGHT				
EQ	EQUIPMENT	LTL	LINTEL				
EQ	EQUIPMENT	LVR	LOUVER				
EQ	EQUIPMENT	LW	LIGHTWEIGHT				
EQ	EQUIPMENT	M	METER				
EQ	EQUIPMENT	MAINT	MAINTENANCE				
EQ	EQUIPMENT	MAX	MAXIMUM				
EQ	EQUIPMENT	MDF	MEDIUM DENSITY FIBERBOARD				
EQ	EQUIPMENT	MDO	MEDIUM DENSITY OVERLAY				
EQ	EQUIPMENT	MECH	MECHANICAL				
EQ	EQUIPMENT	MET	METAL				
EQ	EQUIPMENT	MEZZ	MEZZANINE				
EQ	EQUIPMENT	MFG	MANUFACTURING				
EQ	EQUIPMENT	MFR	MANUFACTURER				
EQ	EQUIPMENT	MH	MANHOLE				
EQ	EQUIPMENT	MIN	MINIMUM				
EQ	EQUIPMENT	MIR	MIRROR				
EQ	EQUIPMENT	MISC	MISCELLANEOUS				
EQ	EQUIPMENT	MM	MILLIMETER				
EQ	EQUIPMENT	MNT	MOUNT				
EQ	EQUIPMENT	MO	MASONRY OPENING				
EQ	EQUIPMENT	MTG	MOUNTING				
EQ	EQUIPMENT	MTL	METAL				
EQ	EQUIPMENT	MULL	MULLION				
EQ	EQUIPMENT	N	NORTH				
EQ	EQUIPMENT	NE	NORTHEAST				
EQ	EQUIPMENT	NIC	NOT IN CONTRACT				
EQ	EQUIPMENT	NO	NUMBER				
EQ	EQUIPMENT	NOM	NOMINAL				
EQ	EQUIPMENT	OS	OVERALL				
EQ	EQUIPMENT	OC	ON CENTER				
EQ	EQUIPMENT	OD	OUTSIDE DIAMETER				
EQ	EQUIPMENT	OFCI	OWNER FURNISHED CONTRACTOR INSTALLED				
EQ	EQUIPMENT	OFF	OFFICE				
EQ	EQUIPMENT	OFFO	OWNER FURNISHED OWNER INSTALLED				
EQ	EQUIPMENT	OH	OVERHEAD, OPPOSITE HAND				
EQ	EQUIPMENT	OPNG	OPENING				
EQ	EQUIPMENT	OPP	OPPOSITE				
EQ	EQUIPMENT	OTO	OUT-TO-OUT				
EQ	EQUIPMENT	P	PARTICLE BOARD				
EQ	EQUIPMENT	PBD	PARTICLE BOARD				
EQ	EQUIPMENT	PC	PRECAST				
EQ	EQUIPMENT	PERF	PERFORATED				
EQ	EQUIPMENT	PL	PLATE, PROPERTY LINE				
EQ	EQUIPMENT	PLAM	PLASTIC LAMINATE				
EQ	EQUIPMENT	PLAS	PLASTER				
EQ	EQUIPMENT	PLBG	PLUMBING				
EQ	EQUIPMENT	PLWD	PLYWOOD				
EQ	EQUIPMENT	V	VAPOR BARRIER				
EQ	EQUIPMENT	VB	VINYL COMPOSITION TILE				
EQ	EQUIPMENT	VCT	VERTICAL				
EQ	EQUIPMENT	VIF	VERIFY IN FIELD				
EQ	EQUIPMENT	VTR	VENT THROUGH ROOF				
EQ	EQUIPMENT	VWC	VINYL WALL COVERING				
EQ	EQUIPMENT	W	WIDTH, WEST				
EQ	EQUIPMENT	W	WITH				
EQ	EQUIPMENT	WO	WITHOUT				
EQ	EQUIPMENT	WC	WATER CLOSET, WALL COVERING				
EQ	EQUIPMENT	WD	WOOD				
EQ	EQUIPMENT	WGL	WIRE GLASS				
EQ	EQUIPMENT	WH	WATER HEATER				
EQ	EQUIPMENT	WP	WATERPROOFING				
EQ	EQUIPMENT	WT	WEIGHT				
EQ	EQUIPMENT	WWM	WELDED WIRE MESH				

GENERAL PROJECT NOTES

- DIMENSIONS ON PLANS ARE TO FACE OF CMU OR FACE OF GWB UNLESS NOTED OTHERWISE.
- MASONRY DIMENSIONS SHOWN ARE ACTUAL DIMENSIONS.
- DO NOT SCALE DRAWINGS. USE DIMENSIONS ONLY.
- DIMENSIONS RELATED TO THE EXISTING BUILDING SHALL BE VERIFIED PRIOR TO CONSTRUCTION.
- EXTERIOR DIMENSIONS ARE GIVEN TYPICALLY TO THE OUTSIDE FACE OF GLAZING, MASONRY OR EIFS.
- SEE LIFE SAFETY PLANS, FLOOR PLANS, PARTITION TYPES FOR LOCATION OF FIRE RATED WALLS.
- PROVIDE CONTINUOUS HORIZONTAL BLOCKING IN ALL PARTITIONS WHERE INDICATED AND WHERE REQUIRED FOR EQUIPMENT AND CASEWORK ATTACHMENT.
- ALL INTERIOR AND EXTERIOR WOOD BLOCKING SHALL BE TREATED AS CALLED FOR IN SPECIFICATIONS.
- IN GENERAL THERE SHALL BE NO BACK-TO-BACK ELECTRICAL, TELEPHONE OR OTHER OUTLETS. OUTLET HOLES SHALL BE PACKED WITH ACOUSTICAL SEALANT.
- WHEN OUTLETS ARE INDICATED AS OCCURRING BACK-TO-BACK THEY SHOULD BE SEPARATED BY 16 INCHES HORIZONTALLY. WHERE DIMENSIONS ARE SHOWN WHICH CONFLICT WITH THIS, OBTAIN DIRECTION FROM ARCHITECT.
- PROVIDE A SEALANT JOINT AT ALL INTERSECTIONS OF GWB WALLS OR GWB CEILING WITH CMU PARTITIONS.
- MAINTAIN INTEGRITY OF ALL RATED PARTITIONS AT INSTALLATION OF RECESSED FIRE EXTINGUISHER CABINETS, CABINETS, TOWEL DISPENSERS, RECEPTACLES, ELECTRICAL PANELS AND OTHER RECESSED ITEMS. AT GWB WALLS, OBTAIN THIS INTEGRITY BY INSTALLING AN ADDITIONAL LAYER OF GYPSUM BOARD WITHIN WALL AROUND ALL SIDES OF ITEM AND AN ADDITIONAL LAYER BEHIND ITEM.
- WHERE HVAC OR OTHER MECHANICAL, ELECTRICAL AND PLUMBING ITEMS PENETRATE PARTITIONS, STUDS SHALL BE BRACED AND FRAMED TO STRUCTURE AS REQUIRED TO PROVIDE ADEQUATE SUPPORT. ALL PENETRATIONS THROUGH WALLS SHALL BE SEALED TO PROVIDE FIRE, SMOKE AND/OR ACOUSTIC ISOLATION SPACES.
- BEFORE PATCHING ANY FIRE-RATED CMU PARTITION, FILL ANY EXPOSED CELLS SOLID WITH GROUT.
- PROVIDE FINISHED WALL UNDER AND BEHIND WALL EQUIPMENT AND CASEWORK. COORDINATION/INDICATION OF ENGINEERING WORK ON ARCHITECTURAL DRAWINGS:
- WORK OF ENGINEERING DISCIPLINES IS SHOWN ON ARCHITECTURAL DRAWINGS FOR COORDINATION AND CONVENIENCE PURPOSES ONLY. REFER TO APPROPRIATE DISCIPLINE DRAWINGS FOR COMPLETE AND GOVERNING INFORMATION REGARDING THEIR WORK.
- SEE ARCHITECTURAL REFLECTED CEILING PLANS FOR LOCATION OF CEILING MOUNTED MECHANICAL, ELECTRICAL AND PLUMBING FIXTURES.
- WHERE EXPOSED STRUCTURE CEILING AREAS OCCUR IN ARCHITECTURAL REFLECTED CEILING PLANS, FULL DELINEATION OF STRUCTURAL, MECHANICAL, ELECTRICAL, PLUMBING, AND FIRE PROTECTION SYSTEMS IS NOT PROVIDED. SELECTED ELEMENTS AND DEVICES MAY BE SHOWN FOR LOCATION OR COORDINATION (E.G. LIGHT AND SPRINKLER SPACING)

LORD AECK SARGENT

© 2018 Lord Aeck Sargent
LordAeckSargent.com

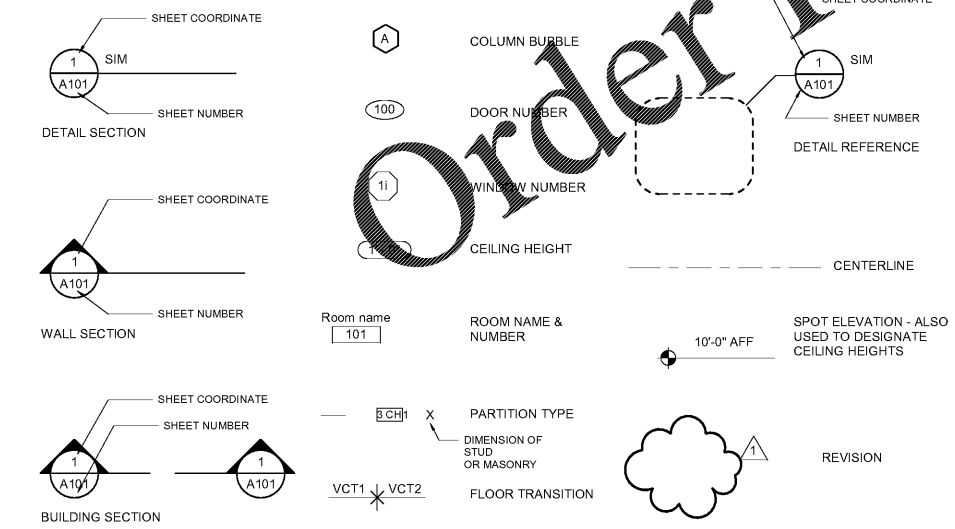
Unless otherwise agreed to in writing, this document is the sole property of Lord Aeck Sargent and is to be returned upon demand. The information herein is confidential and may not be used or divulged without the written permission of Lord Aeck Sargent.

REVISION:

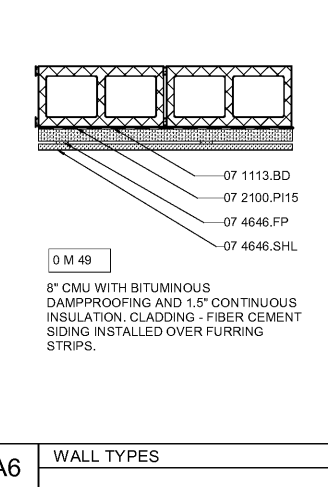
SHEET TITLE: KEYNOTE LIST / SYMBOLS / LEGEND / GENERAL NOTES

SCALE (N/A):

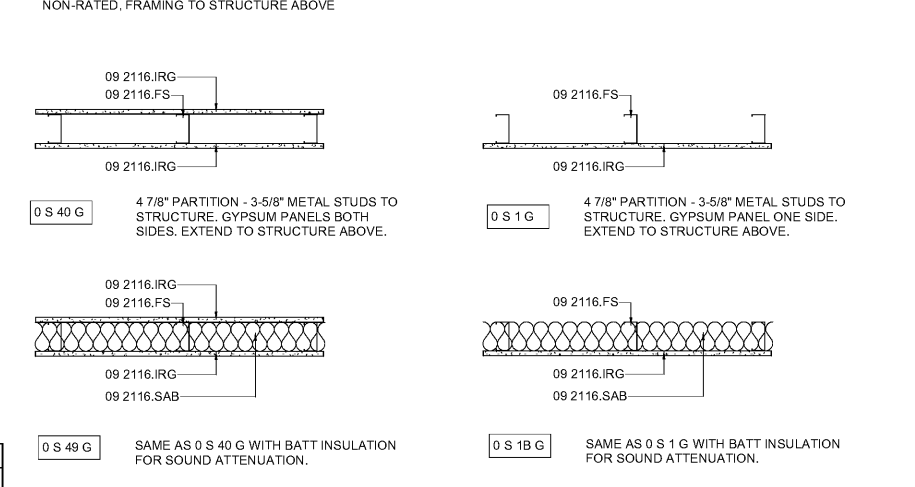
SYMBOLS



EXTERIOR WALLS



INTERIOR WALLS



DRAWING KEYNOTING SYSTEM

A KEYNOTING SYSTEM IS USED ON THE DRAWINGS FOR MATERIAL REFERENCES AND NOTES. REFER TO THE KEY LEGEND ON THE DRAWING FOR THE INFORMATION WHICH RELATES TO EACH KEYNOTE SYMBOL ON THE RESPECTIVE DRAWING.

EACH KEYNOTE SYMBOL CONSISTS OF A 6-DIGIT NUMBER FOLLOWED BY AN ALPHA-NUMERIC SUFFIX. THE 6-DIGIT NUMBER RELATES TO THE SPECIFICATION SECTION WHICH GENERALLY COVERS THE ITEM THAT IS REFERENCED AND THE SUFFIX COMBINED WITH THE 6-DIGIT NUMBER CREATES A KEYNOTE SYMBOL WHICH IDENTIFIES THE SPECIFIC REFERENCE NOTATION USED ON THE DRAWING. THE SUFFIX DOES NOT RELATE TO ANY CORRESPONDING REFERENCE LETTER OR NUMBER IN THE SPECIFICATION.

THE ORGANIZATION OF THE KEYNOTING SYSTEM ON THE DRAWINGS, WITH THE KEYNOTING SYSTEM REFERENCE NUMBER RELATED TO THE SPECIFICATIONS SECTIONS NUMBERING SYSTEM, SHALL NOT CONTROL THE CONTRACTOR IN DIVIDING THE WORK AMONG SUBCONTRACTORS OR IN ESTABL