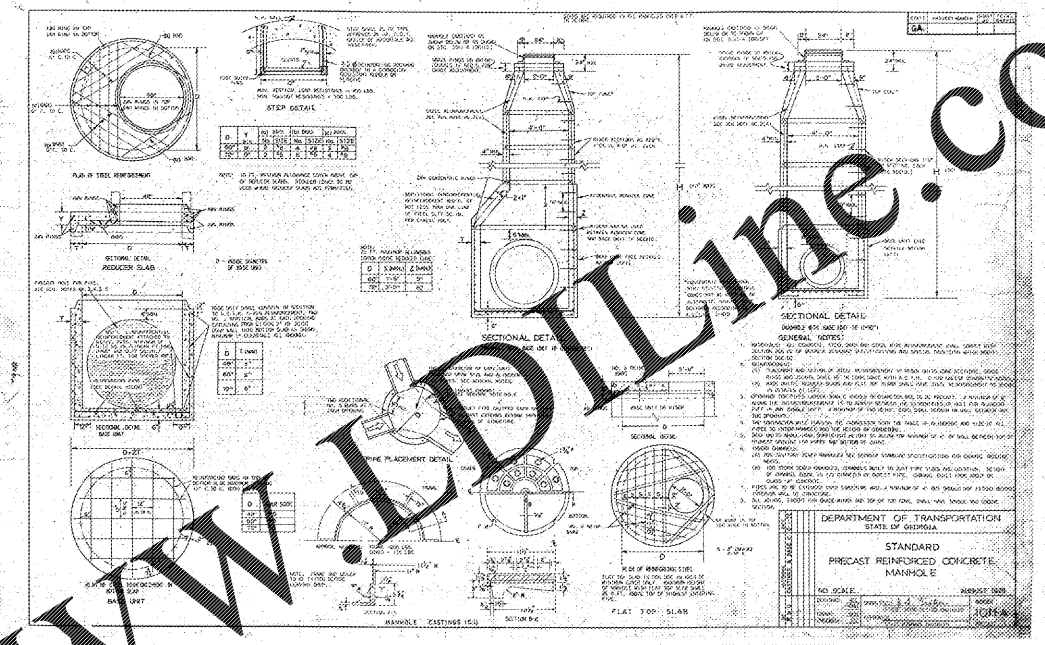
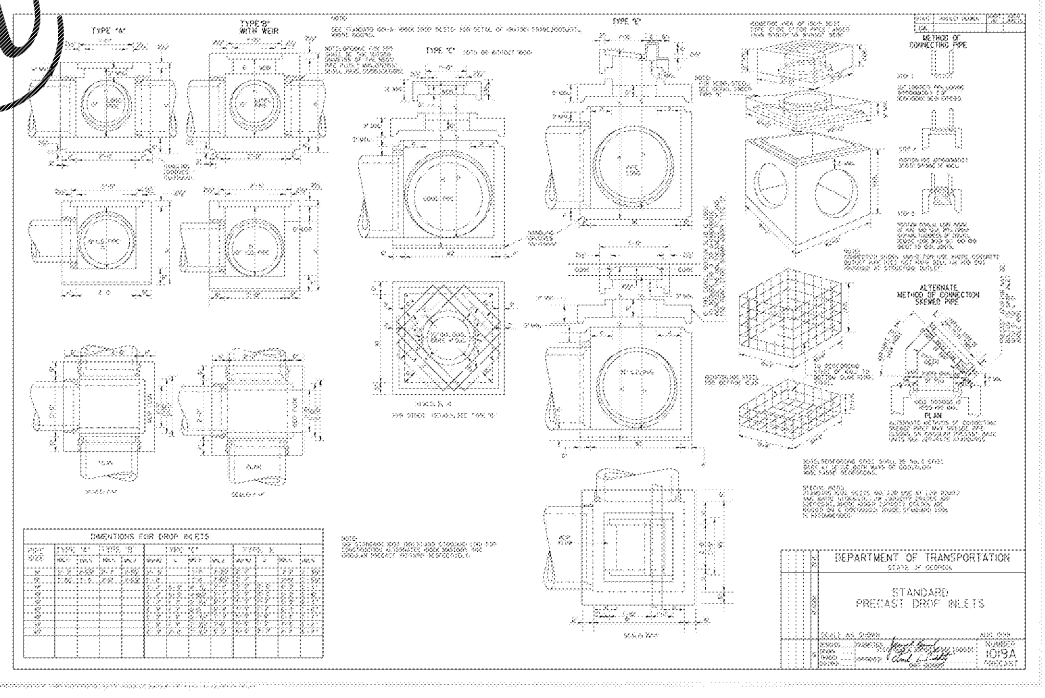


C-6.4 GDOT DETAIL 9031S STANDARD MEDIAN DROP INLETS
NOT TO SCALE



C-6.4 GDOT DETAIL 1011A STANDARD PRECAST REINFORCED CONCRETE MANHOLE
NOT TO SCALE



C-6.4 GDOT DETAIL 1019A STANDARD PRECAST DROP INLETS
NOT TO SCALE

Order Plans @

WWW.IDIline.com

ENGINEER
FORESITE
group
Foresite Group, Inc. w | www.fg-inc.net
3740 Davinci Ct. o | 770.368.1399
Suite 100 f | 770.368.1944
Peachtree Corners, GA 30092

DEVELOPER
WINNETT COUNTY - GEORGIA
ESTABLISHED 1858
75 LANGLEY DR.
LAWRENCEVILLE, GEORGIA 30046
770-822-8964
CONTACT: MR. REX SCHUDER

PROJECT:
**ELISHA WINN HOUSE
SITE IMPROVEMENTS**
908 DACULA RD
DACULA, GA 30019
LL # 1, DISTRICT 2, ZONE R-100
PARCEL #R2001 158

SEAL
GEORGIA REGISTERED
No. 038646
PROFESSIONAL ENGINEER
LUIZA C. MAZZEI
4/08/19
GEORGIA LEVEL II CERTIFIED
PROFESSIONAL # 000058923
EXPIRATION DATED: 08/21/2021

REVISIONS DATE
GWINNETT CO. RESUBMITAL 03/20/2019

PROJECT MANAGER: AWP
DRAWING BY: SSH
JURISDICTION: GWINNETT COUNTY
DATE: 08/10/2018
SCALE: AS SHOWN
TITLE:

CONSTRUCTION DETAILS
SHEET NUMBER:
C-6.4
COMMENTS: RELEASED FOR CONSTRUCTION
JOB/FILE NUMBER: 223.082

GWINNETT COUNTY STAMP AREA (4" X 4")
PROJECT # CDP2019-00035