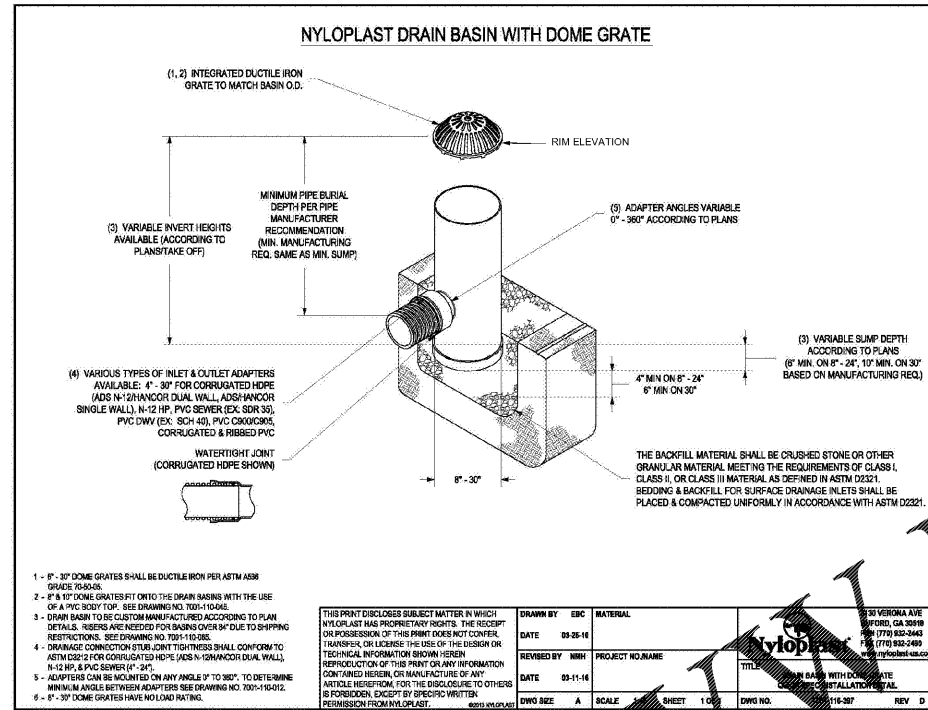
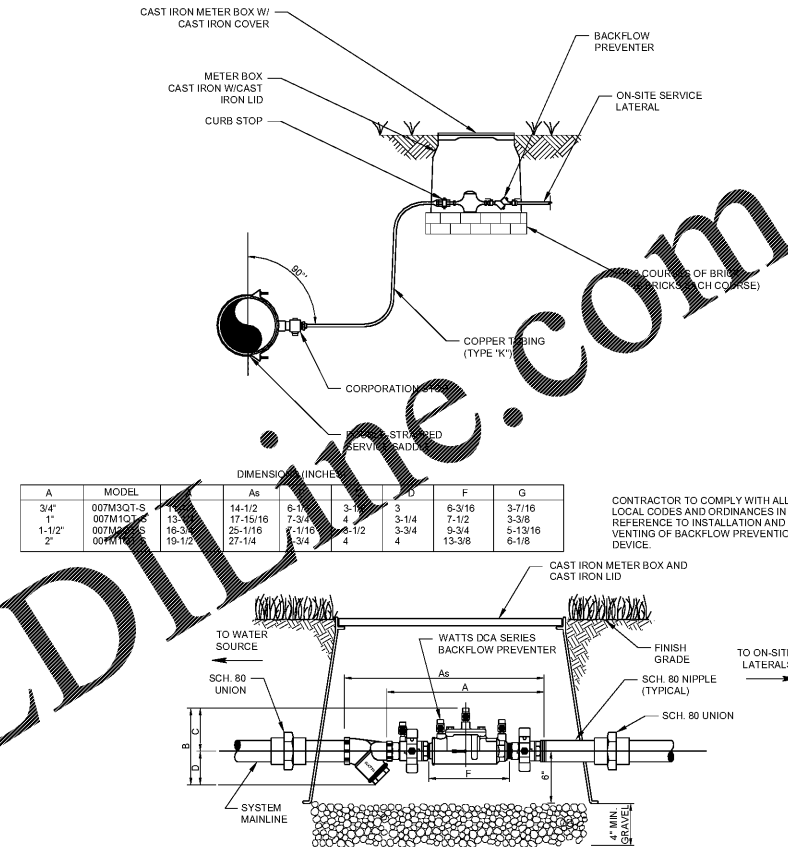


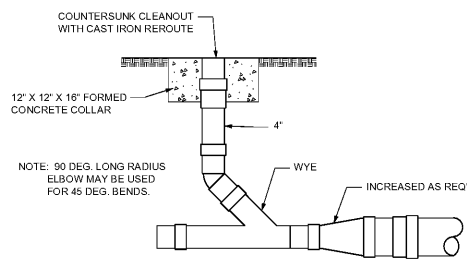
NOTE: INSTALL ALL STORM PIPES IN ACCORDANCE WITH GWINNETT COUNTY BEDDING SPECIFICATIONS



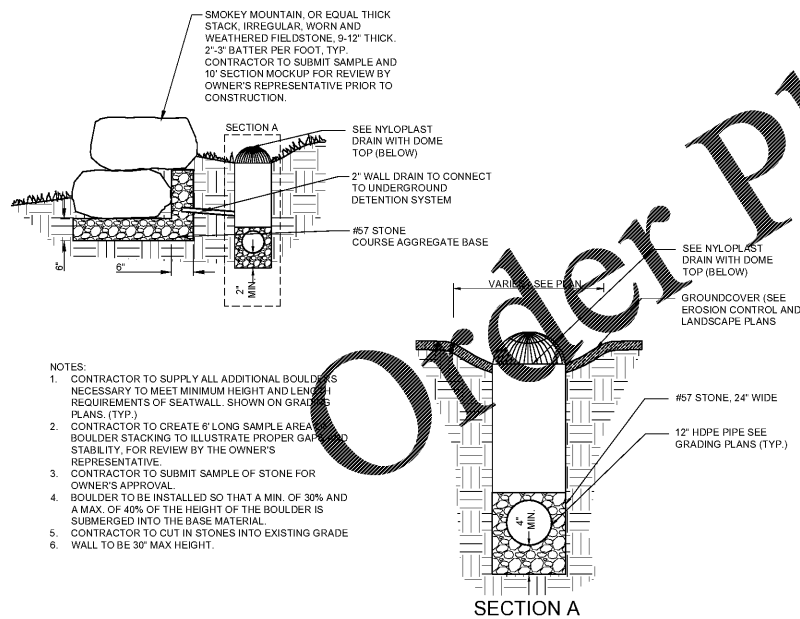
C-6.3 NYOLOPLAST 12" DRAIN BASIN DETAIL
NOT TO SCALE



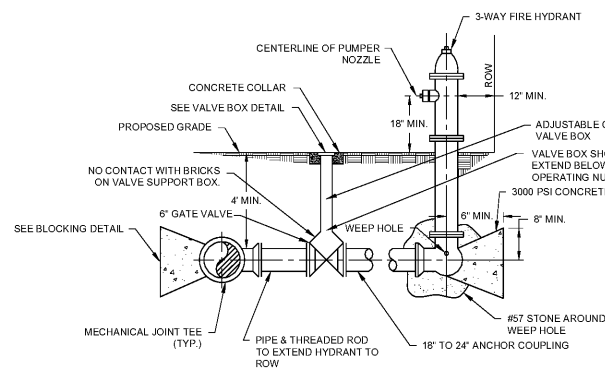
C-6.3 WATER METER AND DOUBLE CHECK VALVE BACKFLOW DEVICE
NOT TO SCALE * CONTRACTOR SHALL SUBMIT BACKFLOW DETAIL TO LOCAL AUTHORITIES FOR APPROVAL BEFORE STARTING CONSTRUCTION.



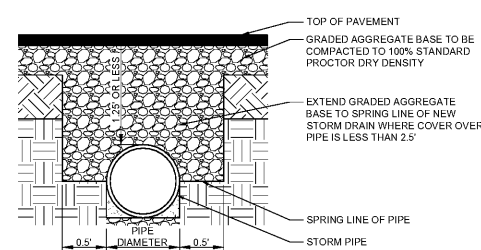
C-6.3 CLEANOUT
NOT TO SCALE



C-6.3 STACKED STONE WALL
NOT TO SCALE



C-6.3 FIRE HYDRANT
NOT TO SCALE



C-6.3 MINIMUM COVER FOR STORM DRAIN PIPES
NOT TO SCALE

ENGINEER

FORESITE
group

Foresite Group, Inc. | www.fg-inc.net
3740 Davinci Ct. | 770.368.1399
Suite 100 | 770.368.1944
Peachtree Corners, GA 30092

DEVELOPER

GWINNETT COUNTY - GEORGIA
ESTABLISHED 1828

75 LANGLEY DR.
LAWRENCEVILLE, GEORGIA 30046
770-822-8864

CONTACT: MR. REX SCHUDER

ELISHA WINN HOUSE
SITE IMPROVEMENTS

908 DACULA RD
DACULA, GA 30019
LL # 1, DISTRICT 2, ZONE R-100
PARCEL #R2001 158

PROJECT:

SEAL

GEORGIA REGISTERED
No. 038646
PROFESSIONAL ENGINEER
LUISA C. MAZZEI

4/08/19

GEORGIA LEVEL II CERTIFIED
PROFESSIONAL # 0000058923
EXPIRATION DATED: 08/21/2021

REVISIONS	DATE
GWINNETT CO. RESUBMITTAL	03/20/2019

PROJECT MANAGER:	AWP
DRAWING BY:	SSH
JURISDICTION:	GWINNETT COUNTY
DATE:	08/10/2018
SCALE:	AS SHOWN
TITLE:	

CONSTRUCTION DETAILS

SHEET NUMBER: **C-6.3**

COMMENTS: RELEASED FOR CONSTRUCTION

JOB/FILE NUMBER: 223.082