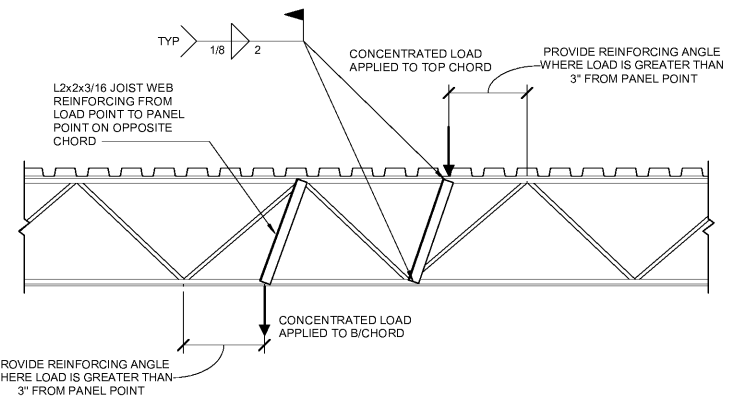


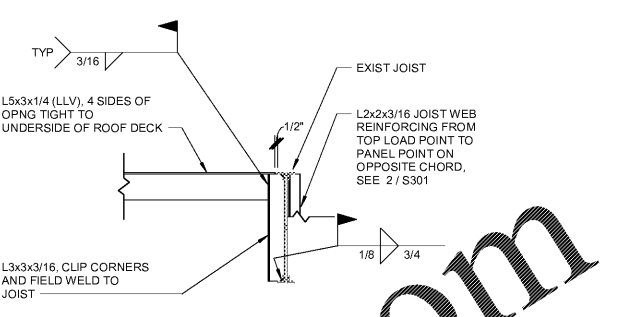
**1 SECTION AT NEW ROOFTOP MECHANICAL UNIT TO EXISTING**  
S301 NOT TO SCALE

- NOTES:**
- ALL CONNECTIONS OF MECHANICAL EQUIPMENT TO ROOF CURB, RAILS, OR STANDS TO BE DESIGNED BY THE EQUIPMENT SUPPLIER.
  - WHERE CURB IS PARALLEL TO DECK, PROVIDE WOOD BLOCKING IN DECK FLUTE AT BOLT FOR CURB BEARING.
  - PROVIDE L5x3x1/4 (LLV) FRAME AROUND OPENING IN ROOF DECK FOR DUCT PENETRATION SIM TO 6 / S301. ATTACH ROOF DECK TO ANGLE W/ 5/8\" PUDDLE WELDS AT 6\" OC (OR #10 TEK SCREWS AT 6\" OC). MAXIMUM DECK CANTILEVER = 6\"
  - THE MECHANICAL UNIT WEIGHT SHOWN ON THE ROOF FRAMING PLAN INCLUDES THE WEIGHT OF THE UNIT PLUS ROOF CURB. GC TO VERIFY THAT THE INSTALLED WEIGHT OF THE NEW MECHANICAL UNIT AND ROOF CURB DOES NOT EXCEED THE WEIGHT SHOWN ON THE DRAWINGS.
  - IF NEW MECHANICAL EQUIPMENT IS TO BE INSTALLED ON EXISTING ROOF CURB, RAILS, OR STANDS, THE GC MUST VERIFY THAT THE EXISTING CONNECTION OF THE CURB, RAIL, OR STAND TO THE STRUCTURE IS ADEQUATE.
  - SEE 2/S301 FOR ADDITIONAL JOIST REINFORCEMENT DETAILS NOT SHOWN HERE.



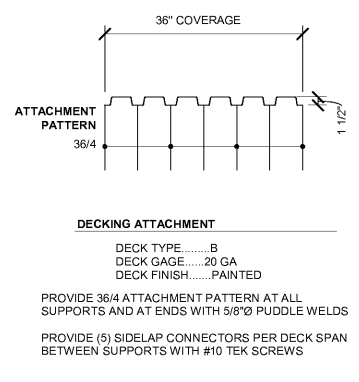
**2 JOIST WEB REINFORCING DETAIL AT CONCENTRATED LOAD**  
S301 NOT TO SCALE

- NOTES:**
- LOCATE ALL LOADS AT PANEL POINTS WHERE POSSIBLE. WHEN NOT LOCATED AT PANEL POINT, PROVIDE REINFORCING AS DETAILED.
  - LOADS LESS THAN 100# DO NOT REQUIRE JOIST REINFORCING. LOADS LARGER THAN 400# PER JOIST REQUIRE SUPPORT CONDITIONS TO BE APPROVED BY ENGINEER.

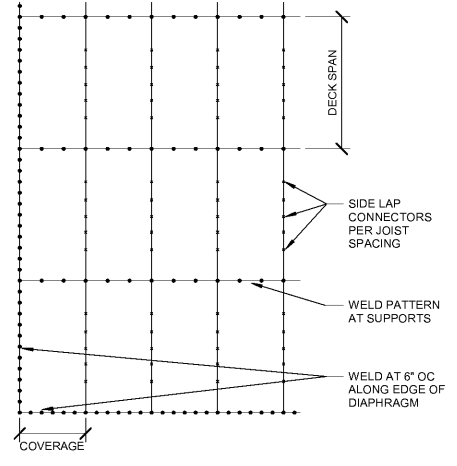


**3 SECTION AT NEW ROOF FRAME**  
S301 NOT TO SCALE

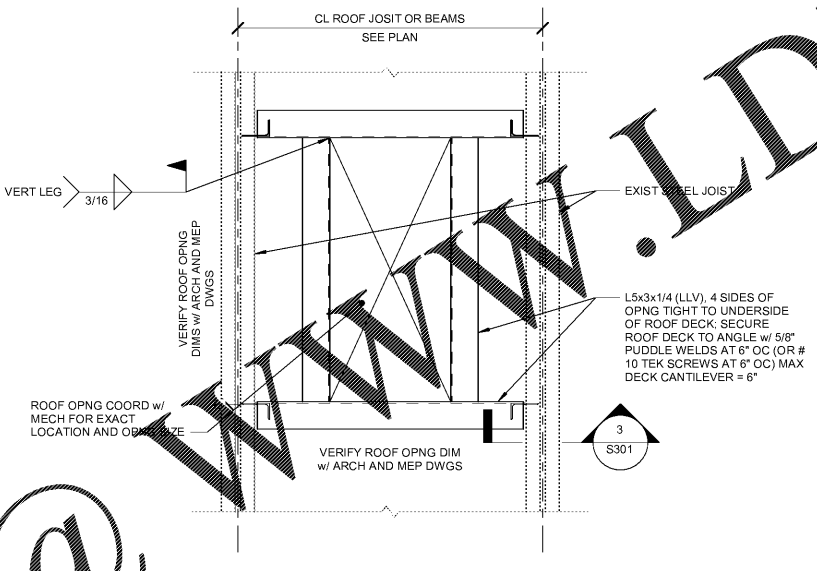
- NOTES:**
- ROOF DECK NOT SHOWN.



**4 ROOF DECK ATTACHMENT SCHEDULE**  
S301 NOT TO SCALE

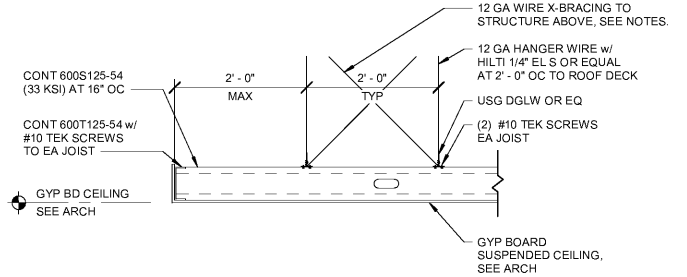


**5 PLAN VIEW OF DECK ATTACHMENT**  
S301 NOT TO SCALE



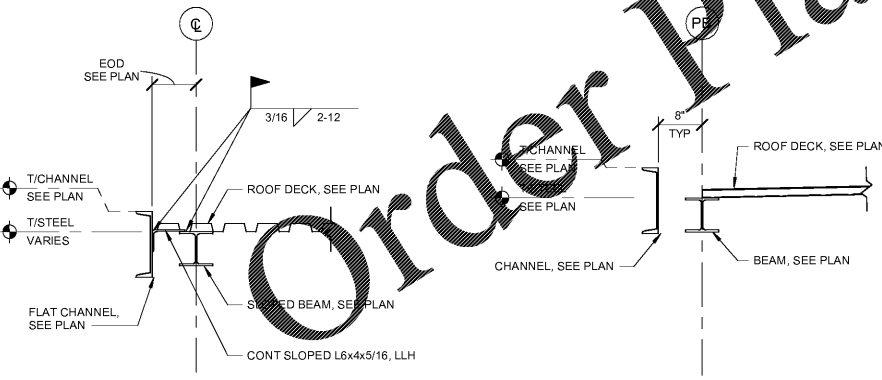
**6 NEW ROOF OPENING IN EXISTING**  
S301 NOT TO SCALE

- NOTES:**
- FRAME ALL ROOF OPENINGS GREATER THAN 12\"
  - SEE ARCHITECTURAL AND MECHANICAL DRAWINGS FOR NEW ROOF OPENINGS.

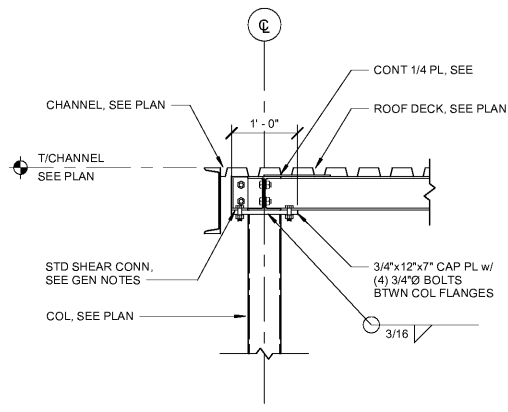


**7 DETAIL**  
S301 3/4\" = 1'-0\"

- NOTES:**
- PROVIDE WIRE X-BRACING EACH DIRECTION AT EACH CORNER AND CENTER OF SUSPENDED CEILING.

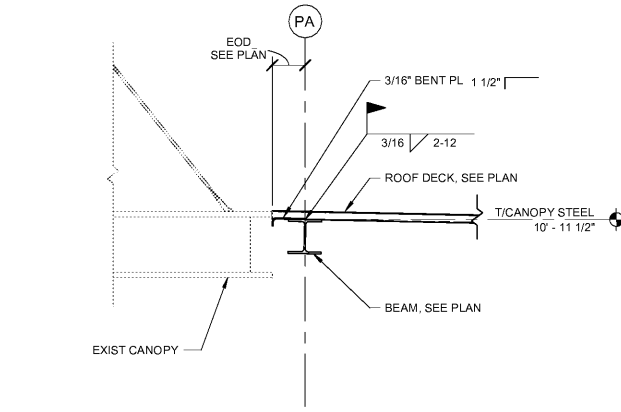


**8 SECTION**  
S301 3/4\" = 1'-0\"



**9 SECTION**  
S301 3/4\" = 1'-0\"

**10 SECTION**  
S301 3/4\" = 1'-0\"



**11 SECTION**  
S301 3/4\" = 1'-0\"

Order Plans @



**GOOD TIMES RESTAURANTS, INC.**  
141 Union Blvd. Suite 400  
Lakewood, CO 80228  
303-384-1430

**BAD DADDY'S BURGER BAR**  
"SANDY PLAINS"  
3460 SANDY PLAINS RD N.E.  
SUITE 110  
MARIETTA, GA 30065

Issue Record:  
6.7.2019 FOR PLAN REVIEW

Revisions:

Drawn:  
DRAWN BY: LW

Checked:  
CHECKED BY: DB/CS

Project No:  
PROJECT#: 19-213

Content:  
FRAMING DETAILS