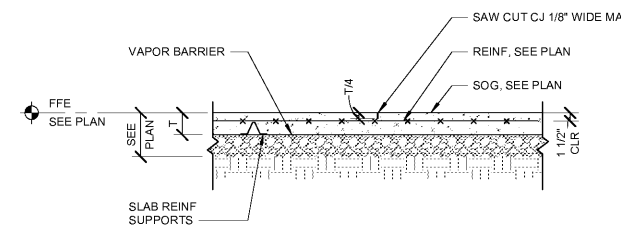
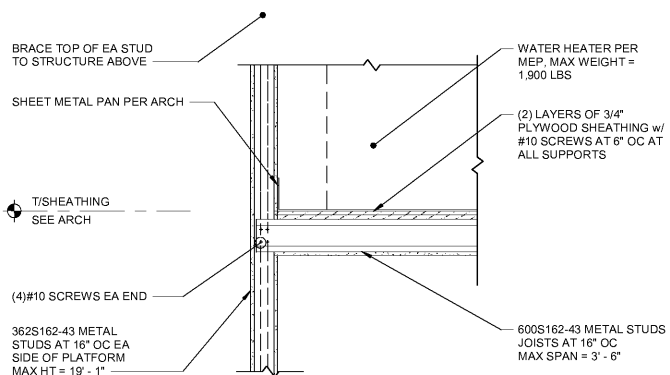
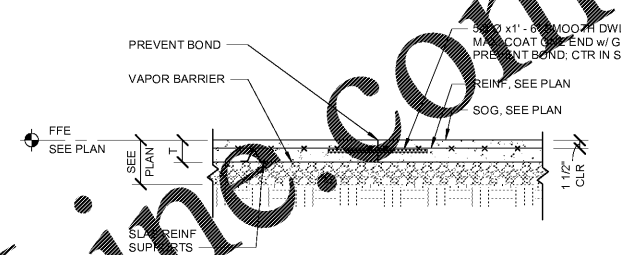


ANCHOR ROD SCHEDULE	
ROD SIZE	3/4"Ø
DIMENSION "C"	1 1/2"
SQUARE PL WASHER SIZE	1/4" x 2"
GROUT THICKNESS	1 1/2"
PROJECTION	6"
EMBEDMENT	9"



3 SLAB ON GRADE CONTRACTION JOINT DETAIL
 S201 3/4" = 1'-0"
 NOTES:
 1. CUT EVERY OTHER WIRE WHERE CONTRACTION JOINTS ARE TO BE CUT.
 2. SAW CUT SLAB WITHIN 8 HOURS OF CONCRETE POUR.



3 SLAB ON GRADE CONSTRUCTION JOINT DETAIL
 S201 3/4" = 1'-0"
 NOTES:
 DO NOT RUN WWF THROUGH CONSTRUCTION JOINT.

1 BASE PLATE AND ANCHOR ROD SCHEDULE

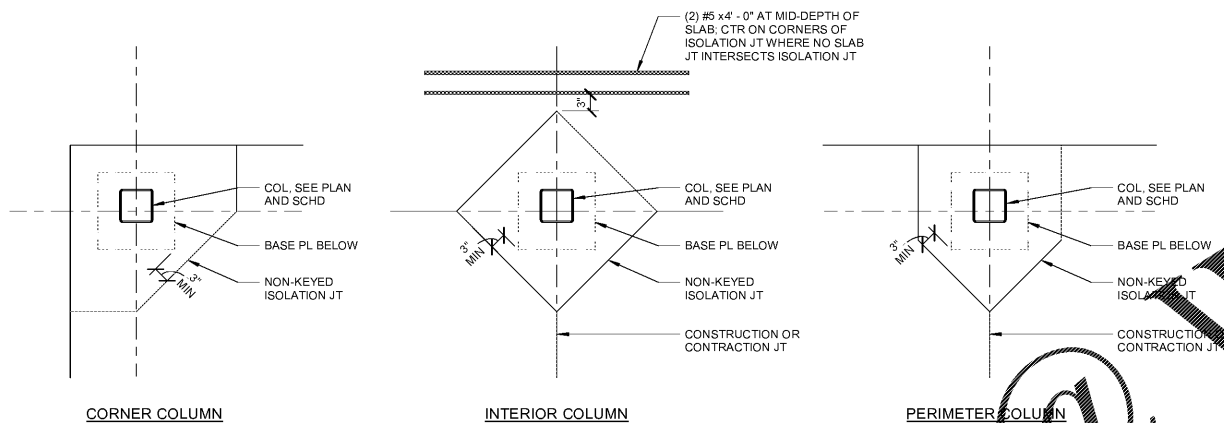
S201 3/4" = 1'-0"
 NOTES:
 1. SEE GENERAL NOTES FOR ANCHOR ROD MATERIAL.

2 SECTION AT WATER HEATER PLATFORM

S201 3/4" = 1'-0"

3 SLAB ON GRADE CONSTRUCTION JOINT DETAIL

S201 3/4" = 1'-0"
 NOTES:
 DO NOT RUN WWF THROUGH CONSTRUCTION JOINT.



5 COLUMN ISOLATION JOINT DETAIL

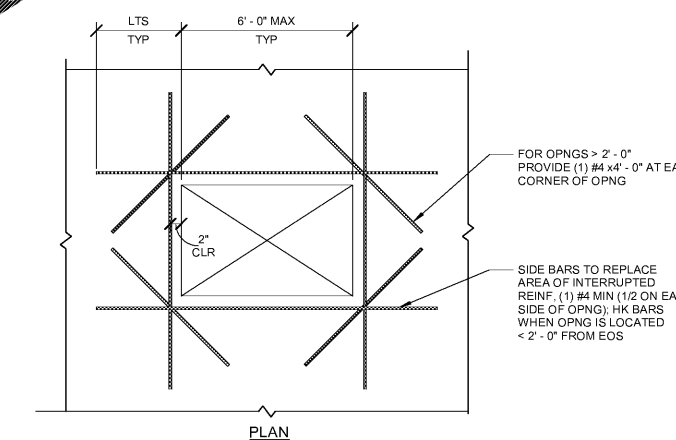
S201 3/4" = 1'-0"
 NOTES:
 1. POUR CONCRETE FILL AROUND COLUMN AFTER BASE PLATE HAS BEEN GROUTED.

6 SLAB RE-ENTRANT CORNER REINFORCING

S201 NOT TO SCALE
 NOTES:
 1. WHERE SLAB CONTRACTION JOINT INTERSECTS RE-ENTRANT CORNER ADDED SLAB REINFORCING IS NOT REQUIRED. SEE PLAN FOR JOINT LOCATIONS.

7 ADDITIONAL SLAB ON GRADE REINFORCEMENT AT OPENINGS

S201 NOT TO SCALE
 NOTES:
 1. SEE ARCHITECTURAL DRAWINGS FOR SIZE AND LOCATION OF OPENINGS.
 2. ADDITIONAL REINFORCEMENT IS NOT REQUIRED AT OPENINGS THAT DO NOT INTERRUPT THE TYPICAL REINFORCEMENT.



8 SLAB ON GRADE REPAIR DETAILS

S201 NOT TO SCALE
 NOTES:
 1. PROVIDE A CONTRACTION JOINT AT ANY EXISTING CONTRACTION JOINT IN THE ADJACENT SLAB AND AT 12\"/>

9 SECTION

S201 3/4" = 1'-0"

10 SECTION

S201 3/4" = 1'-0"