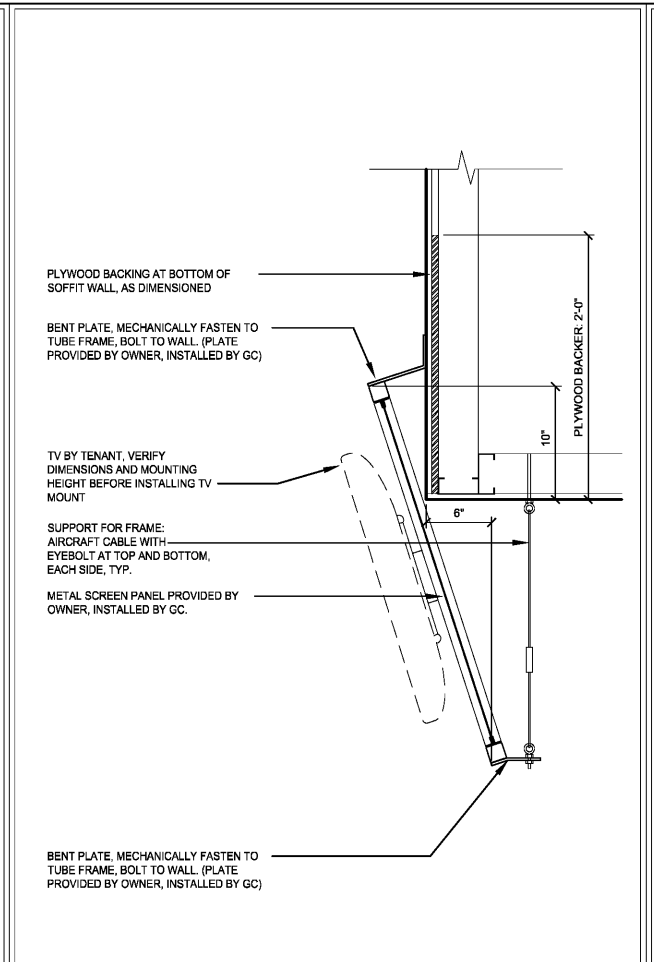
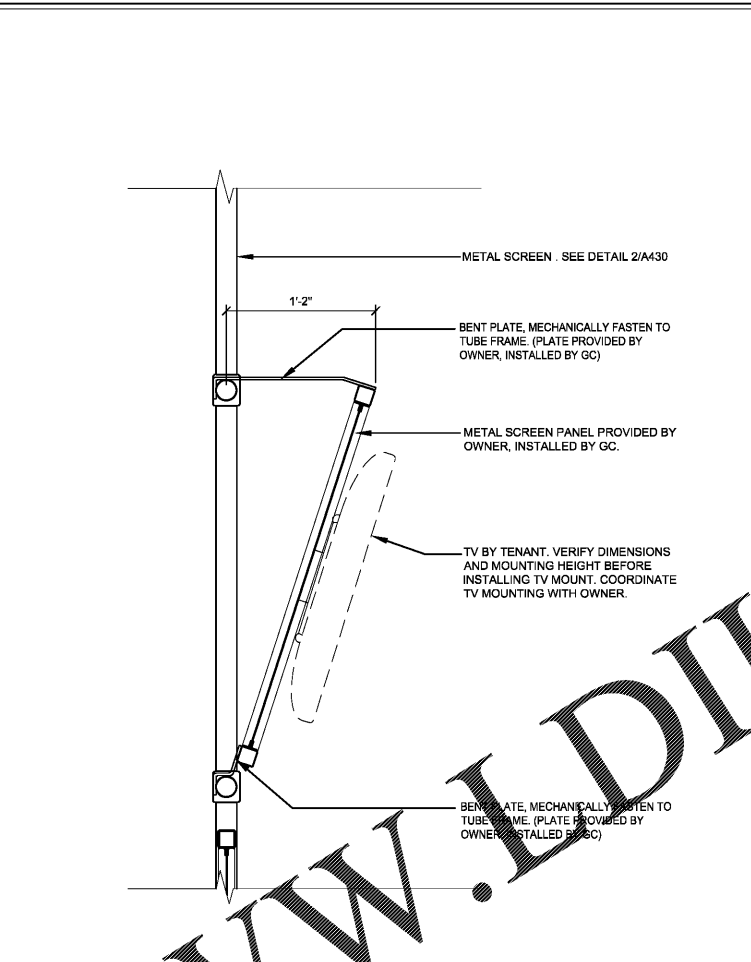


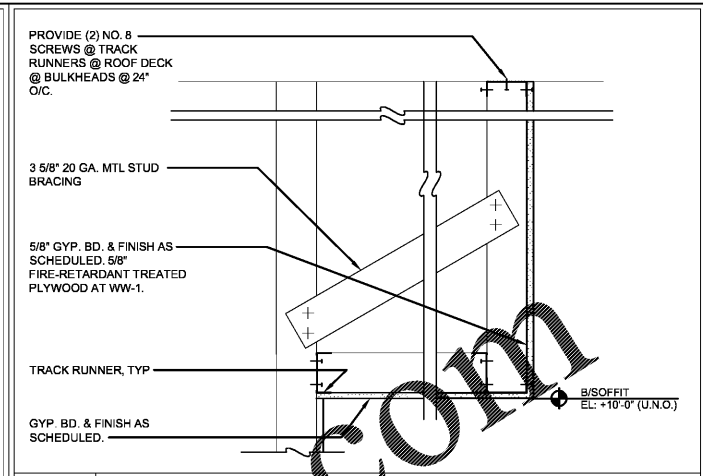
8 DETAIL: WALL MOUNTED SCREEN/TV
1 1/2" = 1'-0" NOTE:



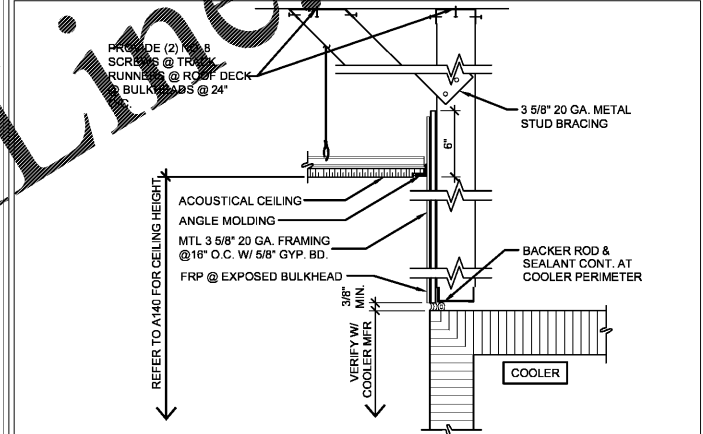
6 DETAIL: SOFFIT MOUNTED SCREEN/TV
1 1/2" = 1'-0" NOTE:



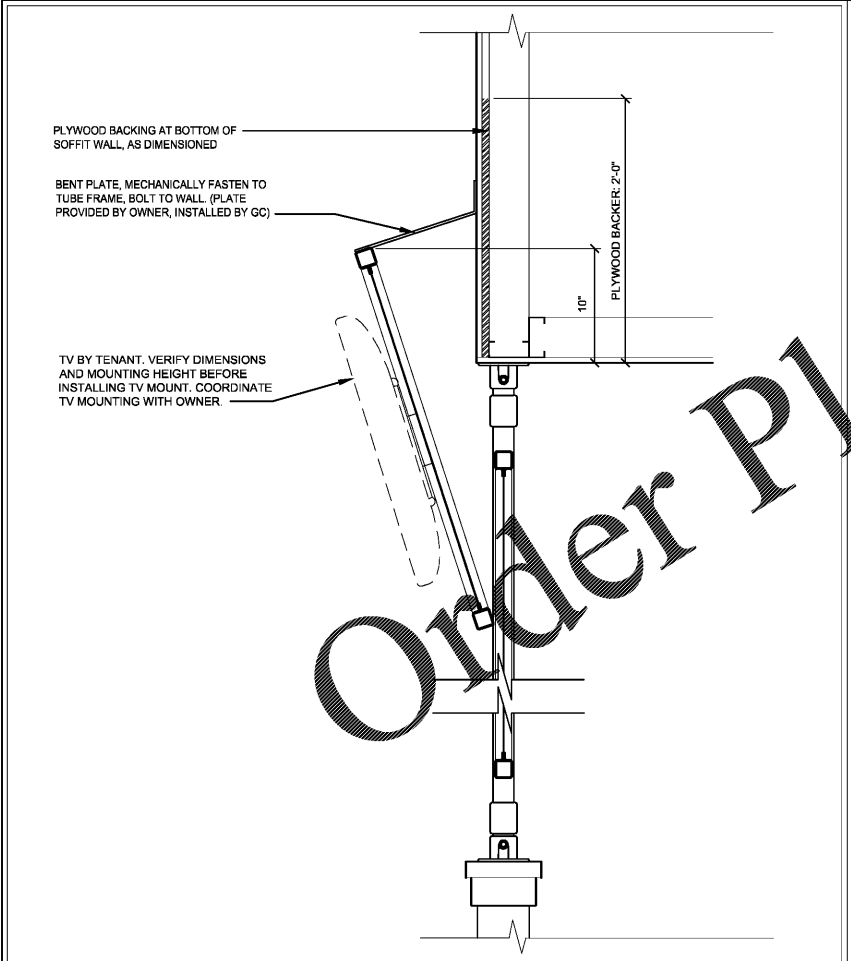
4 DETAIL: TV SCREEN MOUNTED AT METAL SCREEN
1 1/2" = 1'-0" NOTE:



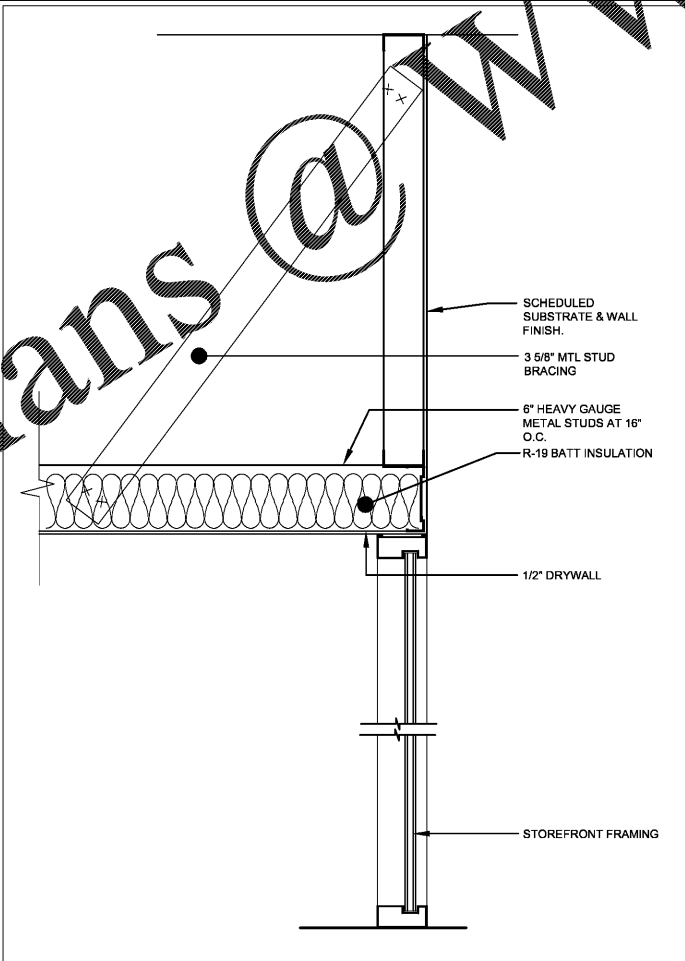
3 DETAIL: DINING SOFFIT
1 1/2" = 1'-0" NOTE:



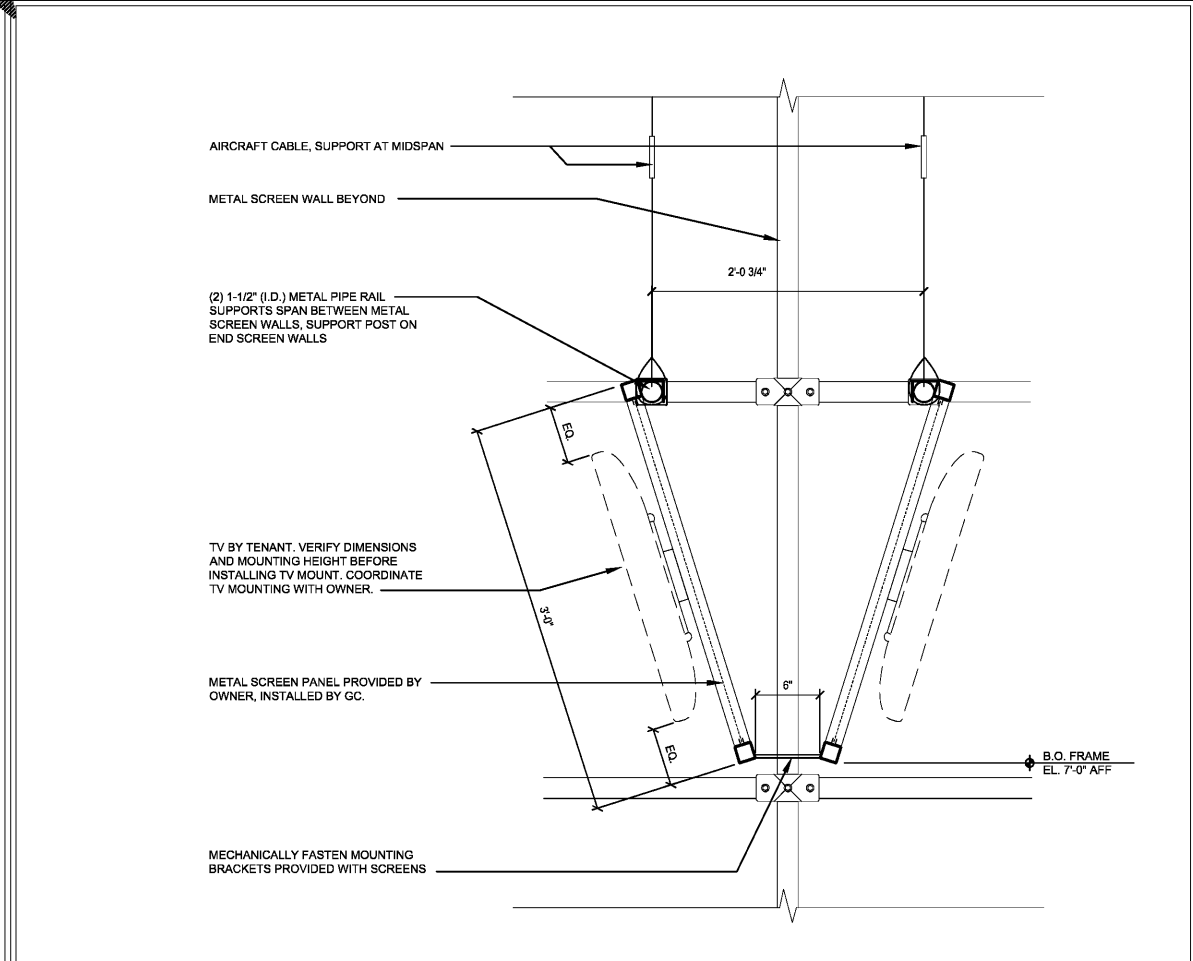
2 DETAIL: BULKHEAD ABOVE WALKIN BOX
1 1/2" = 1'-0" NOTE:



7 DETAIL: SOFFIT MOUNTED SCREEN/TV
1 1/2" = 1'-0" NOTE:



5 DETAIL: CEILING AT VESTIBULE
1 1/2" = 1'-0" NOTE:



1 DETAIL: SCREEN MOUNTED TV'S
1 1/2" = 1'-0" NOTE:

CONSULTANT:
JOHN SPONSELLER, ARCHITECT
8025 W. 25TH PL
LAKEWOOD, CO 80214
TEL: (303) 815-0161



GOOD TIMES RESTAURANTS, INC.
141 Union Blvd, Suite 400
Lakewood, CO 80228
303-384-1430

BAD DADDY'S BURGER BAR
"SANDY PLAINS"
3460 SANDY PLAINS RD N.E.
SUITE 110
MARIETTA, GA 30062

Issue Record:

Date	Description
6.7.2019	FOR PLAN REVIEW

Drawn: **DRAWN BY: JS, KC**
Checked: **CHECKED BY: JS**
Project No. **PROJECT#: 19-213**
Contractor:

DETAILS

A410
Date of Last Print: **6.7.2019**