

THIS DRAWING IS THE PROPERTY OF THE BOELTER COMPANIES AND IS LOANED SUBJECT TO THE CONDITION THAT IT IS NOT MODIFIED, REVISED, REPRODUCED OR DISTRIBUTED IN WHOLE OR IN PART, DIRECTLY OR INDIRECTLY, EXCEPT WITH THE CONSENT OF AND UNDER THE SUPERVISION OF THE BOELTER COMPANIES.

SCALE: 1/4" = 1'-0"

Sheet

FOODSERVICE EQUIPMENT SPECIAL CONDITIONS PLAN

Project

EDGARS ABOVE BROAD
AUGUSTA, GA
BAR - PREP KITCHEN

Revisions

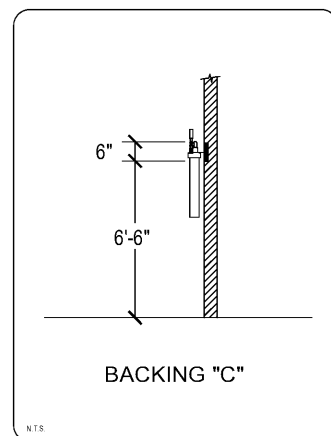
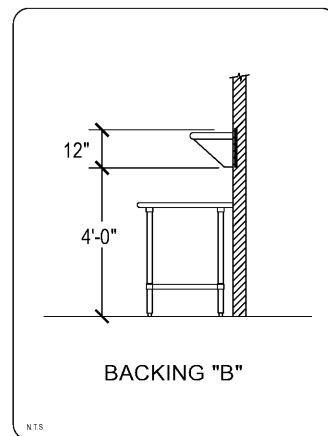
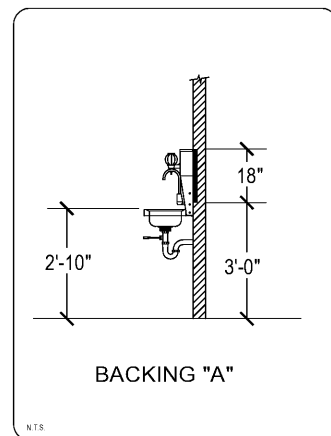


Issue Date
8/1/19

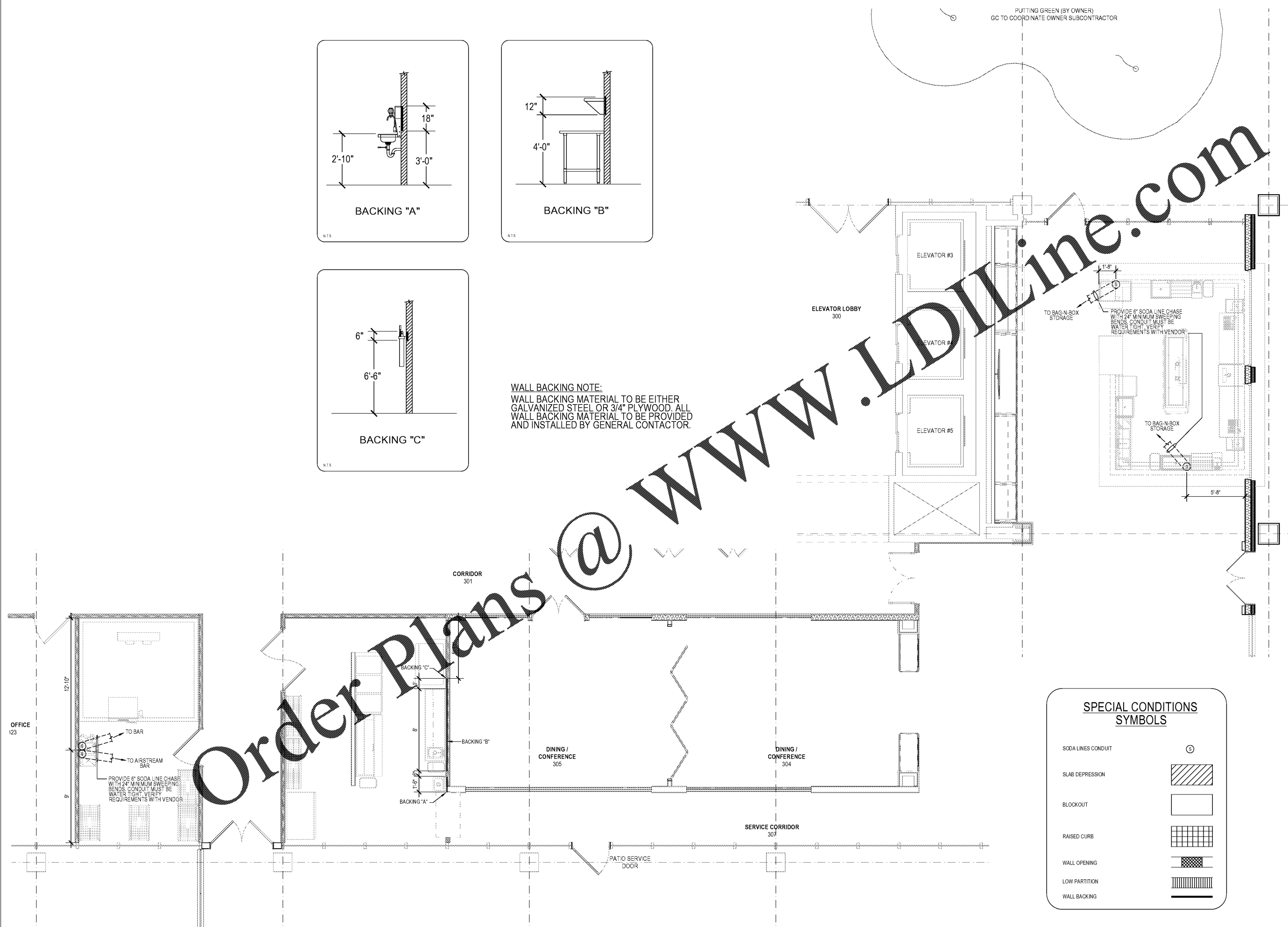
Drawn By
BD

Sheet No.

K1.4



WALL BACKING NOTE:
WALL BACKING MATERIAL TO BE EITHER GALVANIZED STEEL OR 3/4" PLYWOOD. ALL WALL BACKING MATERIAL TO BE PROVIDED AND INSTALLED BY GENERAL CONTRACTOR.



SPECIAL CONDITIONS SYMBOLS	
SODA LINES CONDUIT	
SLAB DEPRESSION	
BLOCKOUT	
RAISED CURB	
WALL OPENING	
LOW PARTITION	
WALL BACKING	