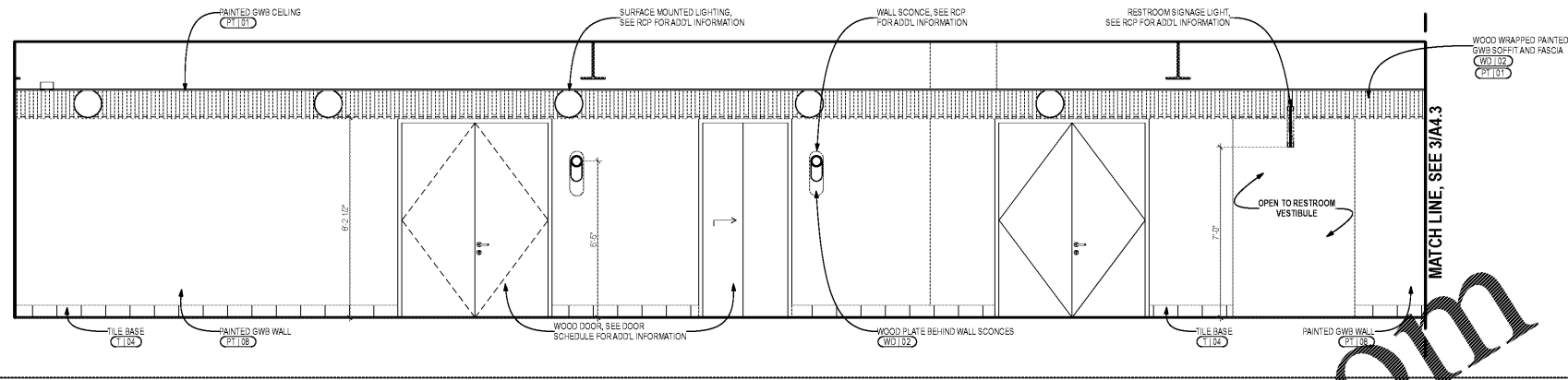
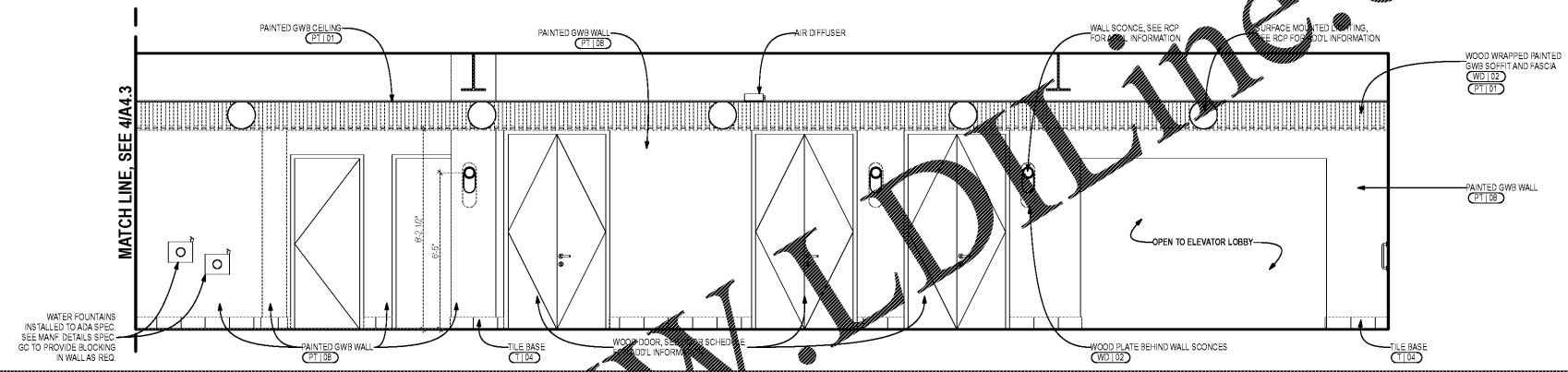




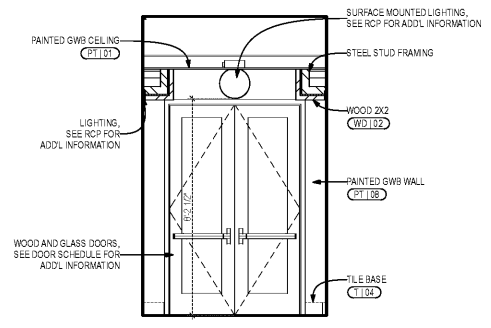
EDGAR'S ABOVE BROAD + LANDLORD BUILDOUT
699 BROAD ST.
AUGUSTA, GEORGIA 30901



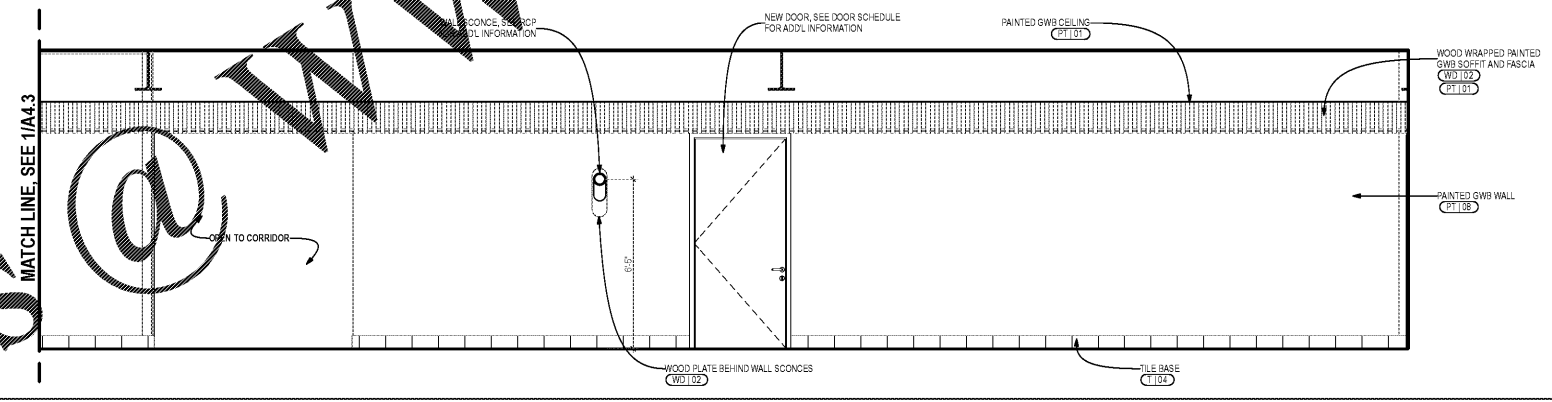
4
A4.3 INTERIOR ELEVATION - CORRIDOR
SCALE 3/8" = 1'-0"



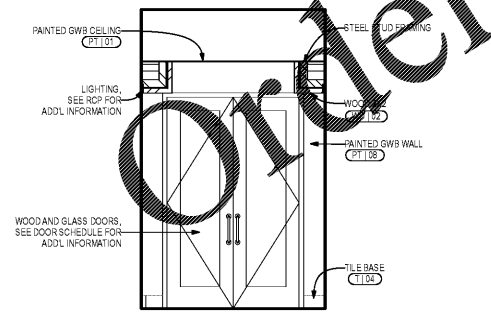
3
A4.3 INTERIOR ELEVATION - CORRIDOR
SCALE 3/8" = 1'-0"



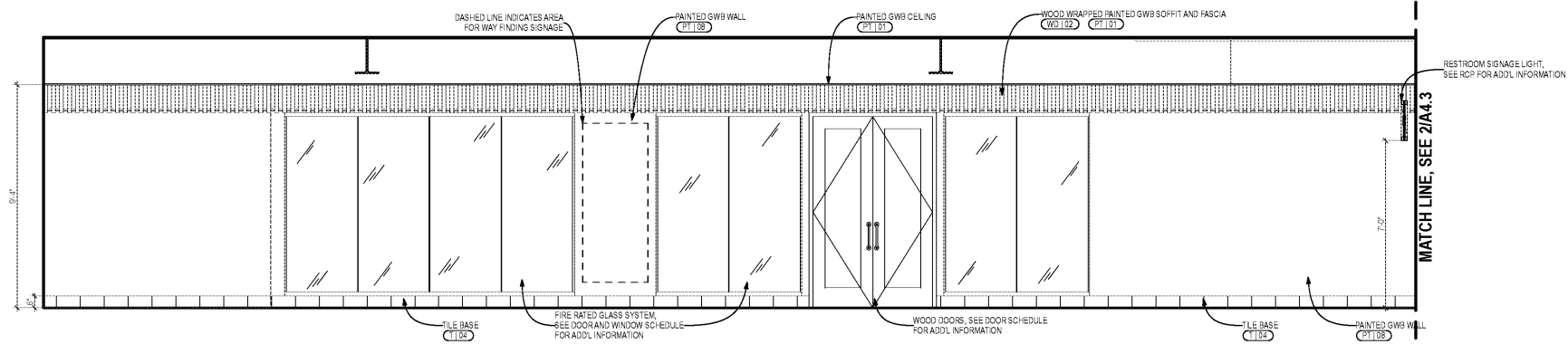
6
A4.3 INTERIOR ELEVATION - CORRIDOR
SCALE 3/8" = 1'-0"



2
A4.3 INTERIOR ELEVATION - CORRIDOR
SCALE 3/8" = 1'-0"



5
A4.3 INTERIOR ELEVATION - EDGAR'S ENTRY DOOR
SCALE 3/8" = 1'-0"



1
A4.3 INTERIOR ELEVATION - CORRIDOR
SCALE 3/8" = 1'-0"

Project Number
1617

Revisions

Number	Date	Description
<DATE OF ISSUE>		RELEASE FOR

Drawing Title
INTERIOR ELEVATIONS

Drawing Status
ISSUED FOR CONSTRUCTION

Drawing Number
A4.3