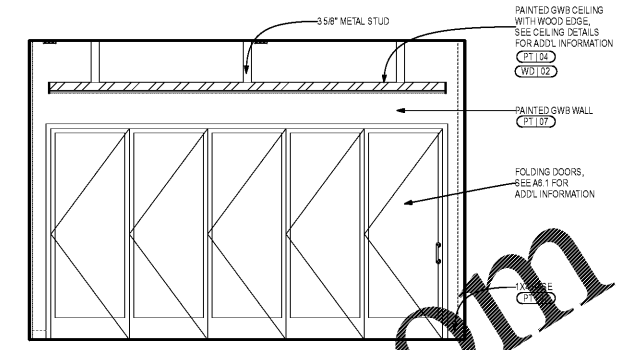


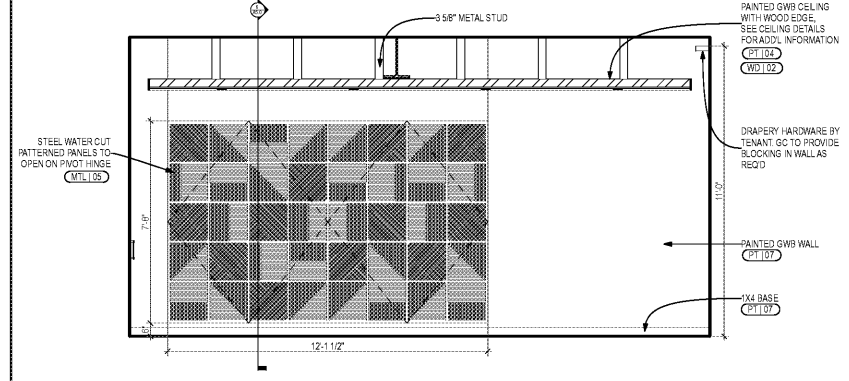
Date: 8/30/19

EDGAR'S ABOVE BROAD + LANDLORD BUILDOUT
699 BROAD ST.
AUGUSTA, GEORGIA 30901

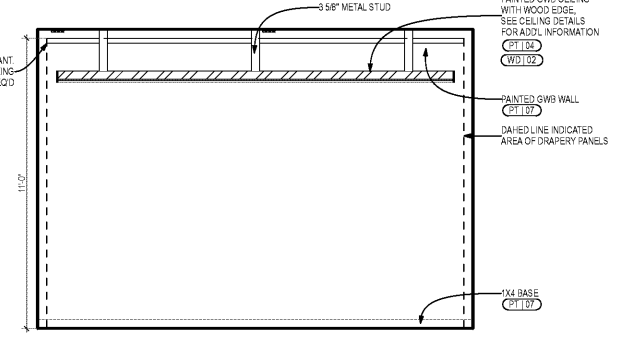
Project Number	1817	
Revision History		
Number	Date	Description
		<DATE OF ISSUE> RELEASE FOR
Drawing Title		
INTERIOR ELEVATIONS		
Drawing Status		
ISSUED FOR CONSTRUCTION		
Drawing Number		



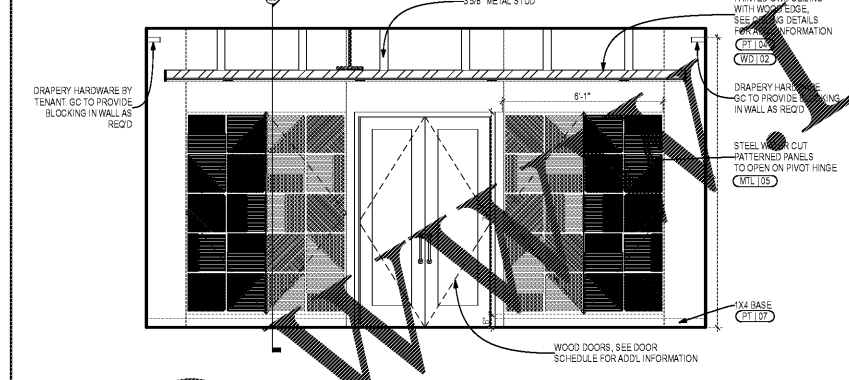
8 INTERIOR ELEVATION - CONFERENCE ROOM
SCALE: 3/8" = 1'-0"



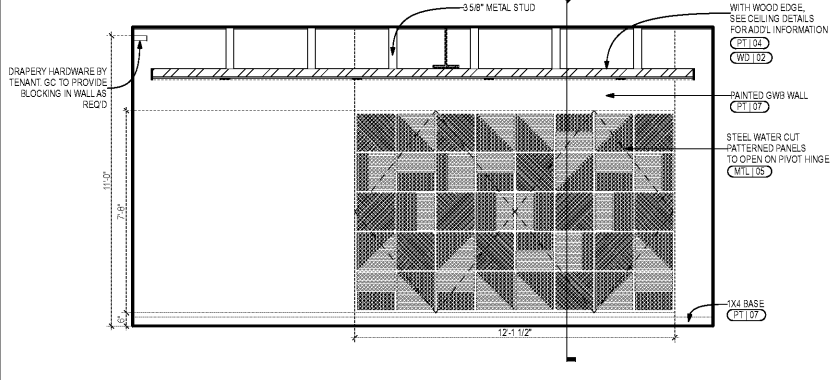
8 INTERIOR ELEVATION - CONFERENCE ROOM
SCALE: 3/8" = 1'-0"



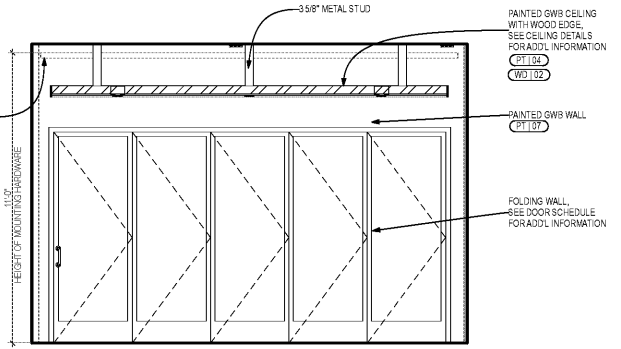
4 INTERIOR ELEVATION - CONFERENCE ROOM
SCALE: 3/8" = 1'-0"



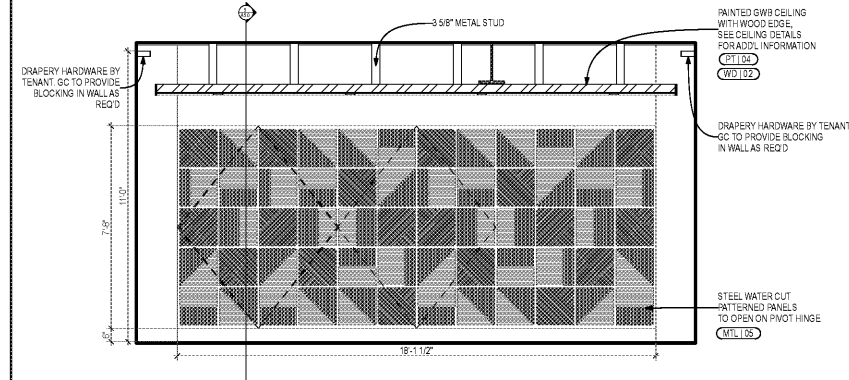
5 INTERIOR ELEVATION - CONFERENCE ROOM
SCALE: 3/8" = 1'-0"



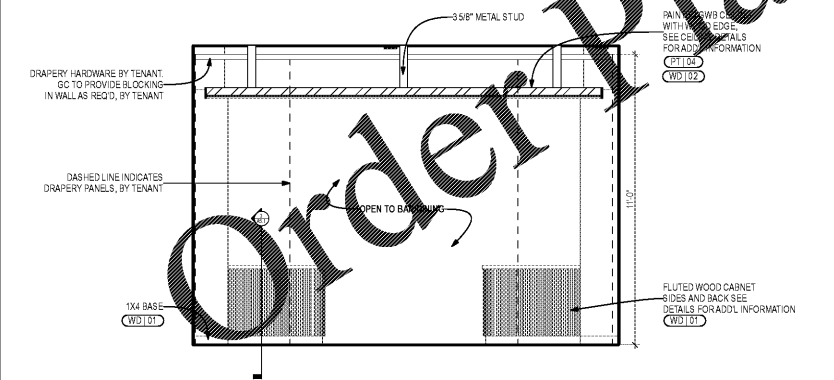
6 INTERIOR ELEVATION - CONFERENCE ROOM
SCALE: 3/8" = 1'-0"



1 INTERIOR ELEVATION - CONFERENCE ROOM
SCALE: 3/8" = 1'-0"



2 INTERIOR ELEVATION - CONFERENCE ROOM
SCALE: 3/8" = 1'-0"



3 INTERIOR ELEVATION - CONFERENCE ROOM
SCALE: 3/8" = 1'-0"

Order Plans @ WWW.DIline.com