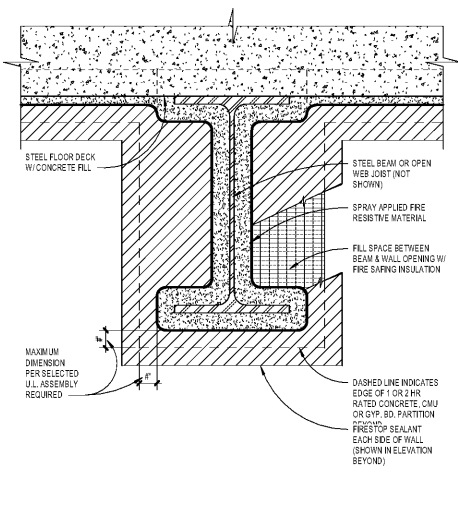




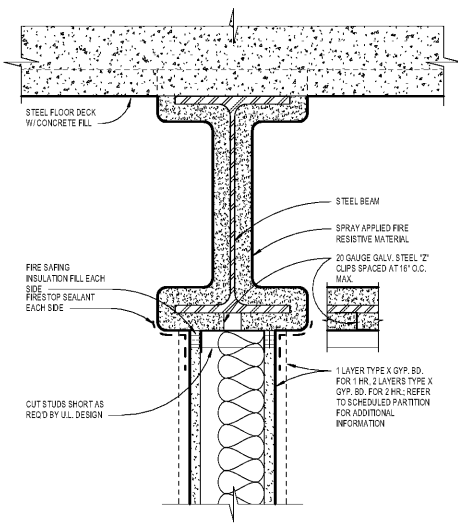
SCOPE DOCUMENTS
The Contract Documents issued for (Conceptual Design, Schematic Design, Design Development, Partial Construction Documents or Other Issuance up to Issued for Construction) are intended to be at that level of completion and as such, may be neither complete nor coordinated. The (Construction Manager, Contractor, Design/Builder) is responsible for complete and coordinated pricing (and execution) of the Work, and shall include items necessary for the proper execution and completion of the Work, as shown, specified, reasonably inferred or required for a complete Project. For work of original design, systems, assemblies, components and materials shall comply with national, state and code requirements. The (Construction Manager, Contractor, Design/Builder) shall inform the Owner and Architect, in timely fashion, of any discovered omissions, inconsistencies or errors in the Contract Documents.

ISSUANCES

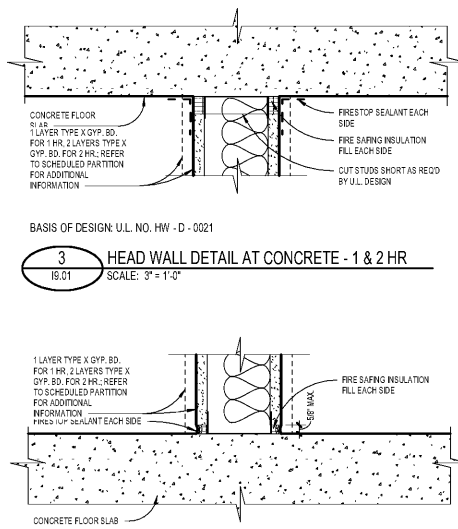
No.	Drawing Issue Description	Date
1	INTERIORS PRICING SET	08/13/19



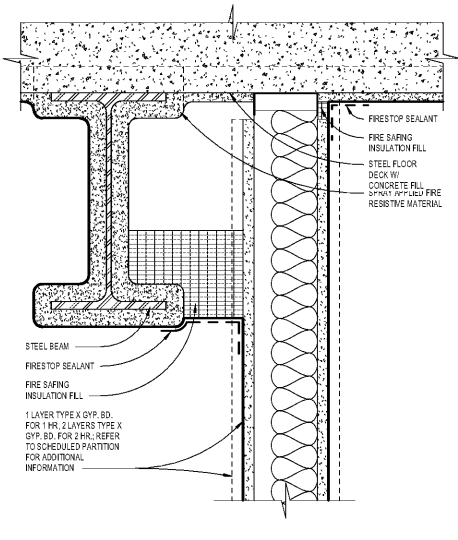
1 HEAD WALL DETAIL AT CROSS BEAM - 1 & 2 HR
SCALE: 3" = 1'-0"



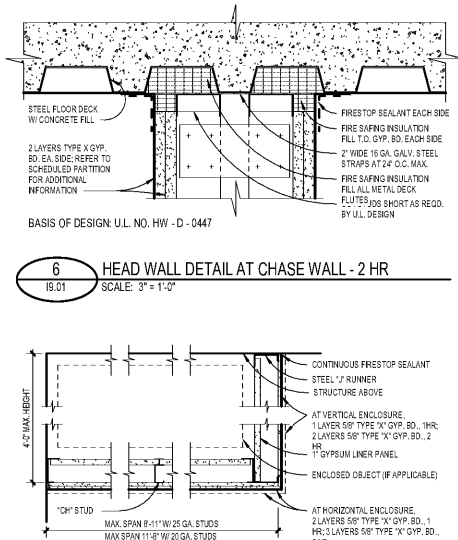
2 HEAD WALL DETAIL AT BEAM - 1 & 2 HR
SCALE: 3" = 1'-0"



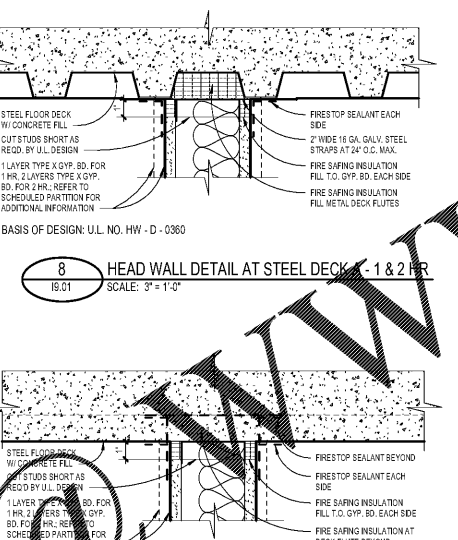
3 HEAD WALL DETAIL AT CONCRETE - 1 & 2 HR
SCALE: 3" = 1'-0"



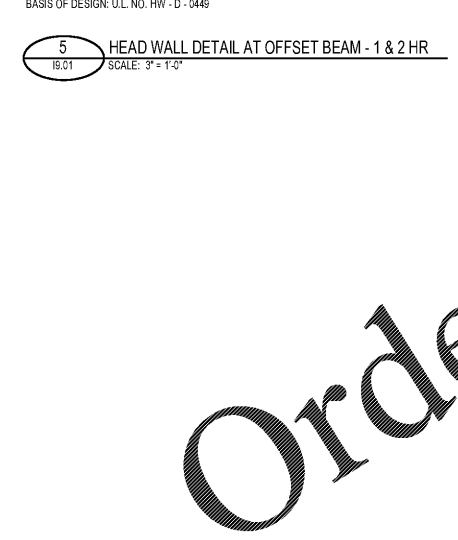
4 HEAD WALL DETAIL AT CHASE WALL - 2 HR
SCALE: 3" = 1'-0"



5 HEAD WALL DETAIL AT STEEL DECK A - 1 & 2 HR
SCALE: 3" = 1'-0"



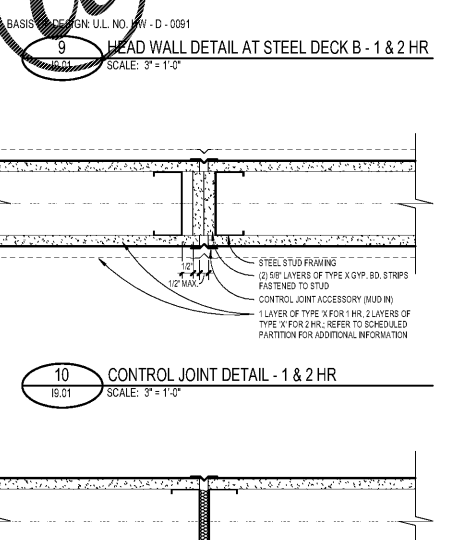
6 HEAD WALL DETAIL AT STEEL DECK B - 1 & 2 HR
SCALE: 3" = 1'-0"



7 HORIZONTAL MEMBRANE - 1 & 2 HR
SCALE: 1" = 1'-0"



8 CONTROL JOINT DETAIL - 1 & 2 HR
SCALE: 3" = 1'-0"



9 CONTROL JOINT DETAIL - NON RATED
SCALE: 3" = 1'-0"

STEEL STUD PARTITIONS

GENERAL NOTES

- LIMITING HEIGHT, STUD GAUGE AND SPACING INFORMATION PROVIDED IN PARTITION SCHEDULES ARE ASSUMED AND MAY NOT ADDRESS ALL CONDITIONS OF THE PROJECT. THIS INFORMATION IS PROVIDED FOR USE AS A GUIDE AND DOES NOT TAKE THE PLACE OF THE CONTRACTOR PROVIDING WALL ASSEMBLIES THAT MEET THE DESIGN CRITERIA FOR EACH CONDITION. CONTRACTOR SHALL COORDINATE WITH PROJECT CONDITIONS AND PROVIDE WALL ASSEMBLIES BASED ON MANUFACTURER'S STANDARD SPAN TABLES THAT MEET DESIGN CRITERIA INCLUDING: LOADS, DEFLECTION LIMITS, FIRE TEST RATINGS AND SOUND TEST CLASSIFICATIONS.
- SOUND TRANSMISSION CLASS (STC) INDICATED IS BASED ON MATERIALS AND CONSTRUCTION IDENTICAL TO THOSE IN SOUND TEST ASSEMBLY SCHEDULED. IF CHANGES IN THE ASSEMBLY ARE NECESSARY DUE TO CONTRACTOR'S SELECTION OF PRODUCTS, MANUFACTURERS OR DUE TO REQUIRED PARTITION HEIGHT, DEFLECTION CRITERIA OR DESIGN PRESSURE, CONTRACTOR SHALL SUBMIT FOR APPROVAL AND PROVIDE A TESTED PARTITION ASSEMBLY THAT MEET SPECIFIED DESIGN CRITERIA. FIELD SOUND TRANSMISSION (STC) IS PERMITTED TO BE 5 POINTS LOWER THAN SPECIFIED STC.
- IF THE SELECTED STEEL STUD MANUFACTURER'S THICKNESS OF STEEL COMPONENT VARIES FROM THE BASIS OF DESIGN (AS DEFINED BELOW) OR HAS OTHER ATTRIBUTES THAT VARY FROM THE BASIS OF DESIGN, PROVIDE MANUFACTURER'S STANDARD THICKNESS WITH LIMITING HEIGHT SPAN TABLES THAT MEETS OR EXCEEDS THE SPECIFIED DESIGN CRITERIA.
- PARTITIONS SHALL EXTEND TO AND TERMINATE AT THE UNDERSIDE OF STRUCTURE ABOVE, UNLESS NOTED OTHERWISE.
- RATED PARTITIONS SHALL BE PERMANENTLY IDENTIFIED IN CONCEALED SPACES EITHER AS REQUIRED BY CODE OR WITH 2" HIGH LETTERING IN A COLOR VALUE CONTRASTING WITH THE BACKGROUND AND SPACE NO MORE THAN 12 FEET ON CENTER. TEXT SHALL READ AS REQUIRED BY CODE OFFICIAL OR AS "____ HOUR FIRE & SMOKE BARRIER - PROTECT ALL OPENINGS" (FILL IN APPROPRIATE HOURLY RATING).
- GYPSUM WALL BOARD IS TO BE TYPE "X" FIRE RESISTANT BOARD UNLESS OTHERWISE NOTED.

DESIGN CRITERIA

DESIGN PRESSURE	PARTITION PURPOSE / LOCATION
5.175 / 10 / 15 PSF	ELEVATOR HOISTWAYS
10 PSF	STAIRS, OTHER VERTICAL SHAFTS
15 PSF	GROUND FLOOR LOBBIES & ATRIUMS
5 PSF	OTHER WALLS

DEFLECTION LIMIT	CLADDING MATERIAL
L/720	BRICK / STONE / MASONRY
L/800	LATH AND PLASTER / GYPSUM PLASTER
L/800	TILE FINISH
L/240	OTHER

BASIS OF DESIGN

MINIMUM METAL THICKNESS
IF THE SELECTED MANUFACTURER'S THICKNESS OF STEEL COMPONENTS VARIES FROM THE BASIS OF DESIGN INDICATED BELOW, PROVIDE MANUFACTURER'S STANDARD THICKNESS AND SPAN TABLES THAT MEETS OR EXCEEDS THE PERFORMANCE REQUIREMENTS INDICATED.

DESIGN PRESSURE (PSF)	ONE OR TWO ELEVATORS PER SHAFT	THREE OR MORE ELEVATORS PER SHAFT
100 (0.39)	5.0 PSF (230 PA)	5.0 PSF (230 PA)
150 (0.59)	7.5 PSF (345 PA)	7.5 PSF (345 PA)
100 (0.39) TO 180 (0.84)	10.0 PSF (470 PA)	7.5 PSF (345 PA)
180 (0.84) TO 300 (15.24)	15.0 PSF (710 PA)	5.0 PSF (230 PA)

STEEL FRAME PARTITIONS

STEEL FRAME PARTITIONS ARE BASED ON INFORMATION PROVIDED IN THE STEEL STUD MANUFACTURER'S ASSOCIATION (SSMA) PUBLICATION "PRODUCT TECHNICAL INFORMATION" DATED 03/2010.

METAL THICKNESS - STEEL COMPONENTS	DESIGN THICKNESS (IN.)	MINIMUM THICKNESS (ML)
25	0.0188	18
22	0.0283	27
20	0.0346	33
18	0.0451	43

SHAFT WALLS

SHAFT WALLS ARE BASED ON UNITED STATES GYPSUM COMPANY PRODUCT LITERATURE SA 526 / REV. 05/2016

METAL THICKNESS - STEEL COMPONENTS	DESIGN THICKNESS (IN.)	MINIMUM THICKNESS (IN.)
25	0.0188	0.0179
24	0.0283	0.0227
20	0.0359	0.0341

CHASE WALLS

CHASE WALLS ARE BASED ON UNITED STATES GYPSUM COMPANY PRODUCT LITERATURE SA 526 / REV. 05/2016

METAL THICKNESS - STEEL COMPONENTS	DESIGN THICKNESS (IN.)	MINIMUM THICKNESS (IN.)
25	0.0188	0.0179
22	0.0284	0.0270
20	0.0359	0.0341
18	0.0478	0.0454

GYPSUM BOARD CONTROL JOINTS

CONSTRUCTION AND LOCATION	MAXIMUM SINGLE DIMENSION	MAXIMUM SINGLE AREA
PARTITION - INTERIOR	30' - 0"	
CEILING - INTERIOR	50' - 0"	2,500 S.F.
WITHOUT PERIMETER RELIEF	30' - 0"	900 S.F.

NOTE: ANY REQUIRED CONTROL JOINTS NOT SHOWN OR LOCATED IN THE DRAWINGS SHALL BE FIELD COORDINATED WITH THE ARCHITECT PRIOR TO FINAL INSTALLATION.

GYPSUM BOARD CONTROL JOINT PLACEMENT DIAGRAMS

PARTITION NUMBERING SYSTEM

PARTITION TYPE MARKER

HOURLY RATING	CORE STRUCTURE
0	S STEEL STUD
1	W WOOD STUD
2	M CONCRETE MASONRY UNIT
3	F FURRING
4	X SHAFTHALL - STEEL STUD
5	C CHASE

MODIFICATION CODES

CODE	DESCRIPTION
C	ADD 1/2" GYPSUM BOARD LAYER TO SHAFTHALL PARTITION IN AREAS TO RECEIVE TILE FINISH
I	SUBSTITUTE GYPSUM BOARD WITH IMPACT RESISTANT GYPSUM BOARD OF EQUAL THICKNESS AND FIRE RATING
W	INSTALL SCHEDULED GYPSUM BOARD WITH GLASS MAT, WATER RESISTANT BACKING AND GYPSUM BOARD OF EQUAL THICKNESS AND FIRE RATING IN AREAS TO RECEIVE TILE FINISH
P	PARTITION TO WALL - REFER TO "P" MODIFIER DETAIL
S	SOUND ATTENUATION REQUIRED - COMPLY WITH SCHEDULED STC RATING & TESTING ASSEMBLY REQUIREMENTS
X	EXTEND PARTITION TO ABOVE FINISH CEILING AND BRACE TO STRUCTURE - REFER TO "X" MODIFIER DETAIL BELOW FOR ADDITIONAL INFORMATION
Y	EXTEND PARTITION TO UNDERSIDE OF FINISH CEILING, ADD SOUND ATTENUATION ABOVE CEILING - REFER TO "Y" MODIFIER DETAIL BELOW FOR ADDITIONAL INFORMATION

ALTERNATE WOOD CAP DETAILS

"P" MODIFIER - PARTIAL HEIGHT WALL

"T" MODIFIER - UNDERSIDE OF STRUCTURE

"X" MODIFIER - PARTIAL HEIGHT PARTITION

"Y" MODIFIER - PARTITION TO FINISH CEILING

Order Plans

PROJECT NUMBER: 20180316 PROJ: ST VINCENT DE PAUL GEORGIA COUNCIL HEADQUARTERS
SHEET NUMBER: 01 - INTERIORS PARTITIONS
M:\2018\20180316\7 Drawings\01-1 Revit\Users\20180316_2017_SVOP_07302019_baird02244.rvt
8/14/2019 10:40:15 AM

St Vincent de Paul Georgia
Council Headquarters

2050 Chamblee Tucker Rd
Unit C D & E
Chamblee, GA 30314

St Vincent de Paul Georgia

INTERIOR PARTITIONS

BRIAN PARKER 20180316
Principal Designer
GIVENETH KOVAR 08/13/2019
Project Manager
M.S.M.B. Date
Project Architect
WYAM MOWWANJA
SAP Architect

19.01