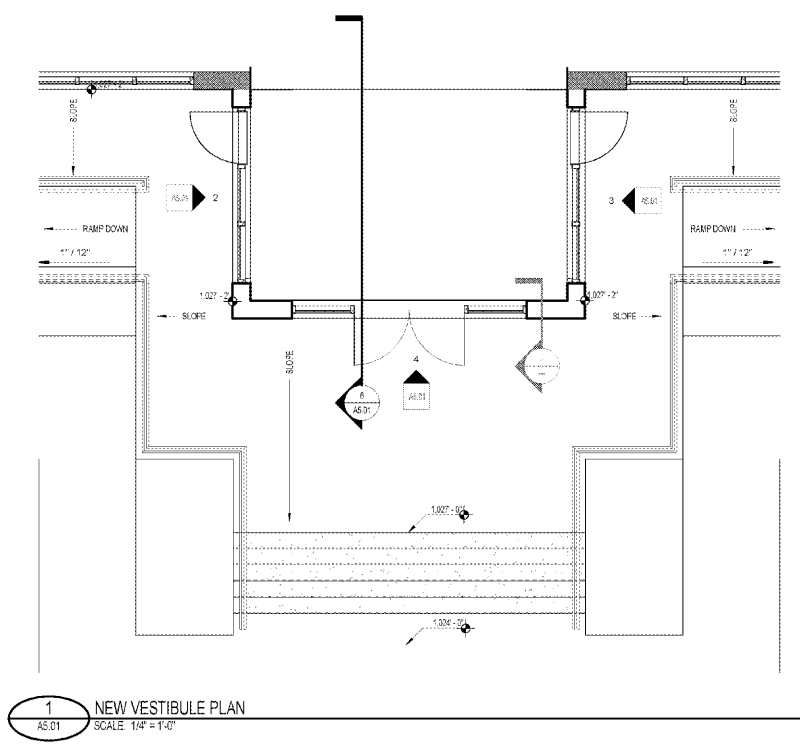
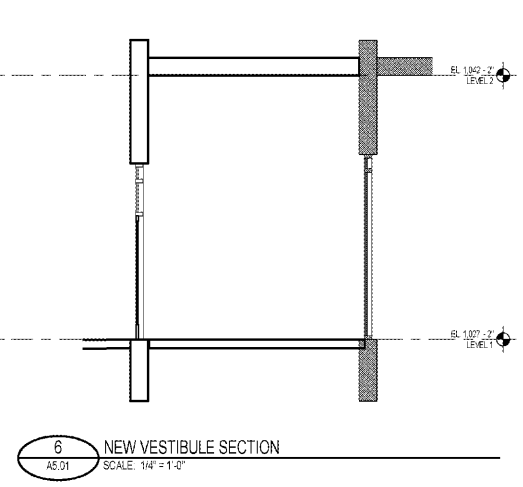
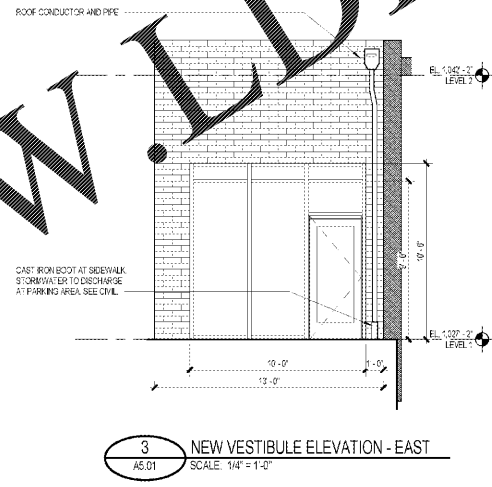
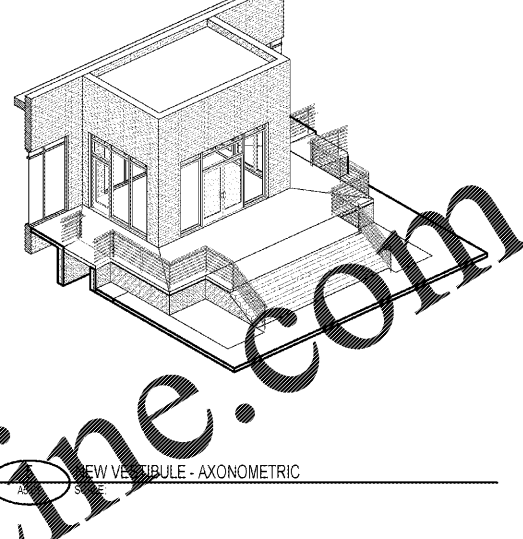
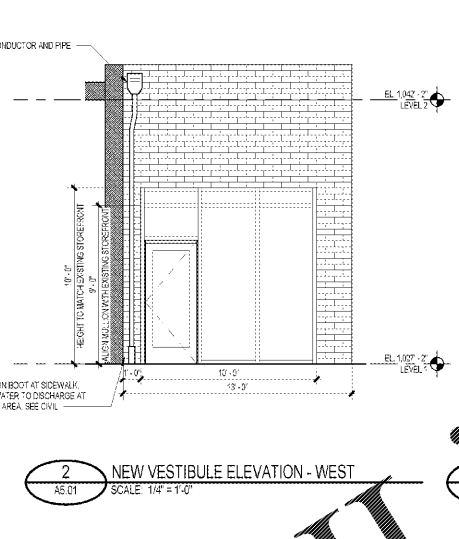
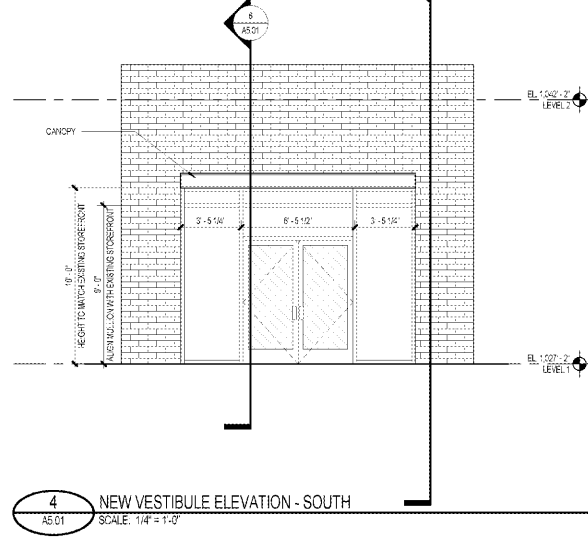
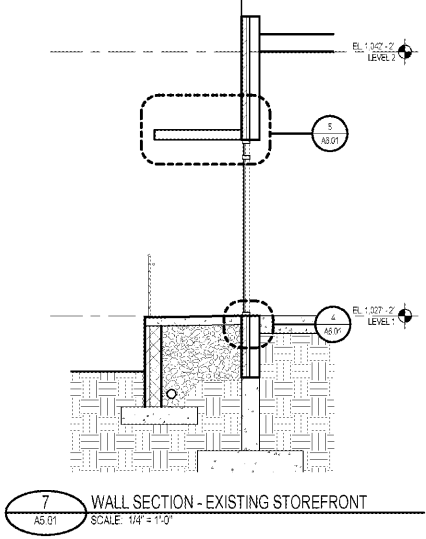
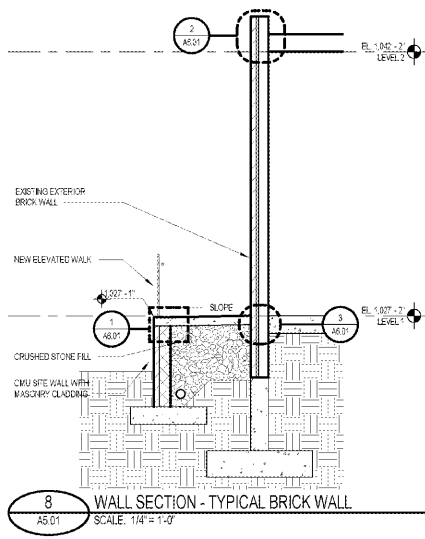




**SCOPE DOCUMENTS**

The Contract Documents issued for [Conceptual Design, Schematic Design, Design Development, Partial Construction Documents and Other Issuances up to issued for Construction] are intended to be at that level of completion and as such, may be neither complete nor coordinated. The Contractor is responsible for complete and coordinate pricing [and execution] of the Work, and shall include items necessary for the proper execution and completion of the Work, as shown, specified, reasonably inferred or required for a complete Project. For Work of delegated design, systems, assemblies, components and materials shall comply with national, state and local code requirements. The Contractor shall inform the Owner and Architect, in timely fashion, of any discovered omissions, inconsistencies or errors in the Contract Documents.

| ISSUANCES |                           |            |
|-----------|---------------------------|------------|
| No.       | Drawing Issue Description | Date       |
| 1         | Design Development        | 05/28/2018 |



Order Plans @ [www.LDILine.com](http://www.LDILine.com)

St Vincent de Paul Georgia  
Council Headquarters

2050 Chamblee Tucker Rd  
Chamblee, GA 30314

St Vincent de Paul Georgia

NEW VESTIBULE & WALL  
SECTIONS

|                   |             |
|-------------------|-------------|
| BILL HALTER       | 2/1/2016    |
| Project Manager   | Project No. |
| MIKE SERVICE      | 09/20/19    |
| Project Manager   | Date        |
| Checker           |             |
| Project Architect |             |
| TORRANCE WONG     |             |
| Scale             | A5.01       |

PROJECT NUMBER: 20180316 PROJECT NAME: St Vincent de Paul Georgia Council Headquarters  
MAP ID: 18031603160316031603160316\_2017\_SVDP\_EXTERIOR  
ARCHITECTURE: wong0205.dwg  
8/30/2019 4:31:12 PM