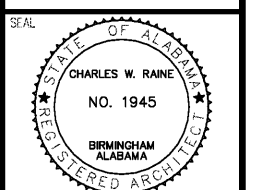


FILE Z:\Engineer\11MON01\PERRY COUNTY COMMUNITY SHELTER - MARION\Sheet\Electrical\1. LIGHTING\CONTROLS\9905.DWG SPECIFICATIONS, PROVIDED BY JOHN TOBIAS
 LAST SAVE: Apr/13/2019 2:46 PM



NO.	DATE	REVISION
1	04-25-2018	REVISED FINAL
2	08-13-2018	ABC'S COMMENTS AND REPLIES
3	04-08-2019	PEER REVIEW REPLIES TO OMC
4		SECOND REVISED FINAL
5		ABC'S COMMENTS AND REPLIES

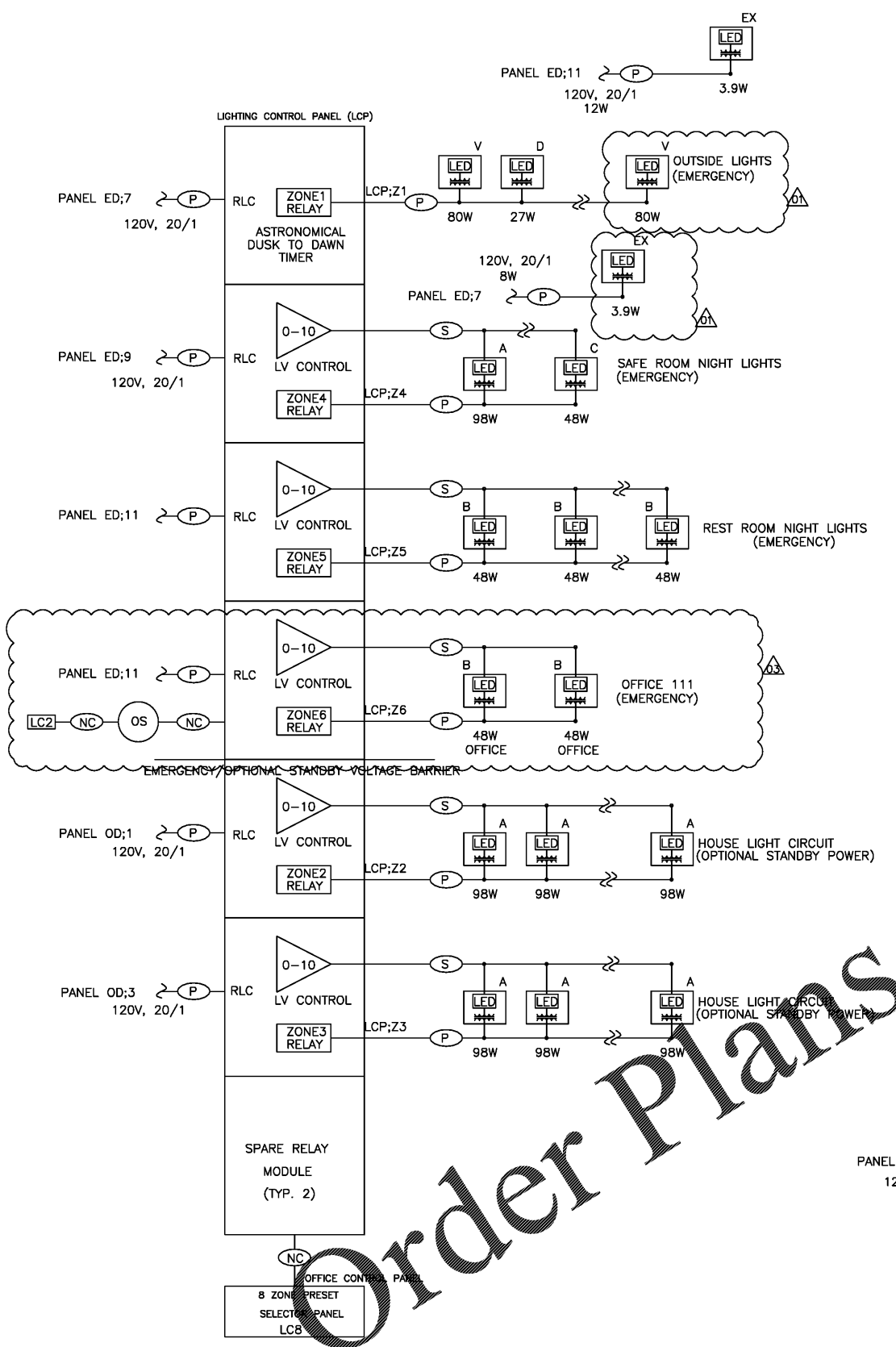
REUSE OF DOCUMENTS
 THIS DOCUMENT WITH THE IDEAS AND DESIGNS INCORPORATED HEREIN ARE AN INSTRUMENT OF KHAFFRA AND MUST NOT BE USED IN WHOLE OR IN PART FOR ANY OTHER PROJECT WITHOUT THE WRITTEN AUTHORIZATION OF KHAFFRA

PROJECT: COMMUNITY STORM SHELTER
B.C. NO. 2019-0346
FOR THE PERRY COUNTY COMMISSION
 300 Washington Street, Marion, Alabama
 Perry County, Alabama 36076

DATE: APRIL 30, 2019
DRWN. BY: JR TT
DSGN. BY: JR TT
CHKD. BY: JR TT
APVD. BY: JR TT
SCALE: NONE

SHEET TITLE: MARION STORM SHELTER
ELECTRICAL: LIGHTING CONTROLS AND SCHEDULES
CONSTRUCTION DOCUMENTS

PROJECT No.: 11MON01
DRAWING No.: E1.1
B.C. Project No.: 2014346



SYMBOL	MANUFACTURER	CATALOG NUMBER	NO. LAMPS PER FIXTURE	WATTS PER LAMP	LAMP TYPE	MOUNTING HEIGHT	TYPE MOUNTING	RECESS DEPTH	REMARKS
A	COLUMBIA	LUPH4-40L-WST-EDU-CRNG	FURNISHED	100	LED	CLG	PENDANT		35" X 48" SURFACE 0-10V DIMMABLE
B	COLUMBIA	LAW4-40ML-EDU-CSHC	FURNISHED	48	LED	9'AFF	PENDANT		8" X 48" PENDANT MOUNTED LED 0-10V DIMMABLE
C	COLUMBIA	LEL4-40ML-EDU-LCLW64	FURNISHED	48	LED	9'AFF	PENDANT		4" X 48" STRIP LED FIXTURE 0-10V DIMMABLE
CE (EM)	COLUMBIA	LCL4-40ML-EDU-ELL4-LCLW64-8LR	FURNISHED	48	LED	9'AFF	PENDANT		CEILING OR WALL MFD AS SHOWN WITH EMERGENCY BATTERY PACK
D	PROSCULITE	LVS10064-60LED10064R10F1624	FURNISHED	27	LED	FLUSH	RECESSED	1"	RECESSED CEILING MOUNTED 0-10V DIMMABLE
V	HUBBELL	PV43-30L3-4K-02-F	FURNISHED	68	LED	10'AFF	O.B.		WALL PACK LED
EX	COMPASS	LE CS096	FURNISHED	3.6	LED	9'AFF	O.B.		LED LIT SIGN WITH CHRYSLER AS RECD, SINGLE/DOUBLE FACE, NiCAD BATTERY

FIXTURE SCHEDULE ABBREVIATIONS:
 LED - LIGHT EMITTING DIODE, C - CEILING, O.B. - OUTLET BOX, S - SURFACE, LL - LAV IN

FIXTURE SCHEDULE NOTES:
 1. CATALOG NUMBERS ARE PROVIDED FOR REFERENCE ONLY. DETERMINE EXACT CATALOG NUMBER FROM FIXTURE APPLICATION AND DESCRIPTIONS.
 2. ALL SUBSTITUTIONS MUST BE SUBMITTED TO THE ENGINEER FOR APPROVAL AT LEAST 10 DAYS PRIOR TO PROJECT BID DATE.
 3. FURNISH ALL FIXTURES WITH FURNISHED LED LAMPS AS SHOWN. STANDARD COLOR TEMPERATURE TO BE 4K.
 4. ALL LED DRIVERS TO BE UNIVERSAL 120V/240V 50/60 HZ. UNLESS SHOWN OTHERWISE.
 5. EACH LED DRIVER SHALL BE FUSED WITH APPROVED DUAL ELEMENT FUSE.
 6. ALL NECESSARY FIXTURES SHALL BE WIRED WITH FLEX WITH A SEPARATE GREEN GROUND WIRE.
 7. FIXTURE MOUNTING AND SUSPENSION SHALL BE AS APPROVED BY ENGINEER AND NOT COMBUSTIBLE MATERIALS SHALL BE USED.
 8. FIXTURES WITH SUB-SCRIPTS AS "T" INDICATES PHOTOCELL CONTROL AND "N" INDICATES NIGHT LIGHT.
 9. MOUNTING AND SUPPORT DETAILS FOR LIGHTING FIXTURES SHALL BE SUBMITTED TO AND APPROVED BY THE ENGINEER BEFORE THE FIXTURES ARE INSTALLED.
 10. FIXTURE OUTLET BOX LOCATIONS SHOWN ON THE DRAWINGS ARE DIAGRAMMATIC AND APPROXIMATE IN LOCATION. EXACT POSITION OF THE OUTLET BOX DEPENDS ON THE FIXTURE AND THE MOUNTING DETAIL.

Room	Description	FIXTURE	# FIXTURES	FIXT. W.	CKD	Sq. Ft.	W/Sq. Ft.	ALLOWED	9.4.1.4
100	Safe Room	A	26	109	2834	6074	1.20	7289	a,c,d,j
103	Generator Room	C	4	48	192	220	0.95	209	a,b
104	Alcove	B	1	48	48	44	0.66	29	a,b
105	Supply Room	C	1	48	48	61	0.63	38	a,b
106	Electrical Room	C	2	48	96	92	0.95	88	a,b
107	Women's RR	B	5	48	240	383	0.98	375	a,h
108	RR Alcove	B	1	48	48	82	0.66	74	a,i
109	Janitor	C	1	48	48	75	0.60	38	a,h
110	Men's RR	B	3	48	144	240	0.98	231	a,h
111	Office	B	2	48	96	60	1.11	178	a,g
113	Mechanical Area	V	1	68	68	65	0.95	196	a,b
114	Equipment Level	C	15	48	720	110	0.95	777	a,b
116	Supply Room	C	1	48	48	10	0.95	96	a,b
117	Supply Room	C	1	48	48	10	0.95	96	a,b
Totals					4678			10104	
Percent Better Than Code					54%				

Allowance	Watts	Unit	Qty	Total
Exterior (Zone 2)				
Building Perimeter Security	40	0.10	3940	394
Generator and Door 2 and 3	240	20.00	16	320
Entry 1 (Main Entry)	80	20.00	6	120
Entry Canopies 1, 2, and 3	108	27.00	4	72
Total Tradable Watts				784
Total Allowed Watts				1178
Total Allowed Supplemental Watts				600
Total Tradable Watts	401			
Percent Better Than Code	51%			

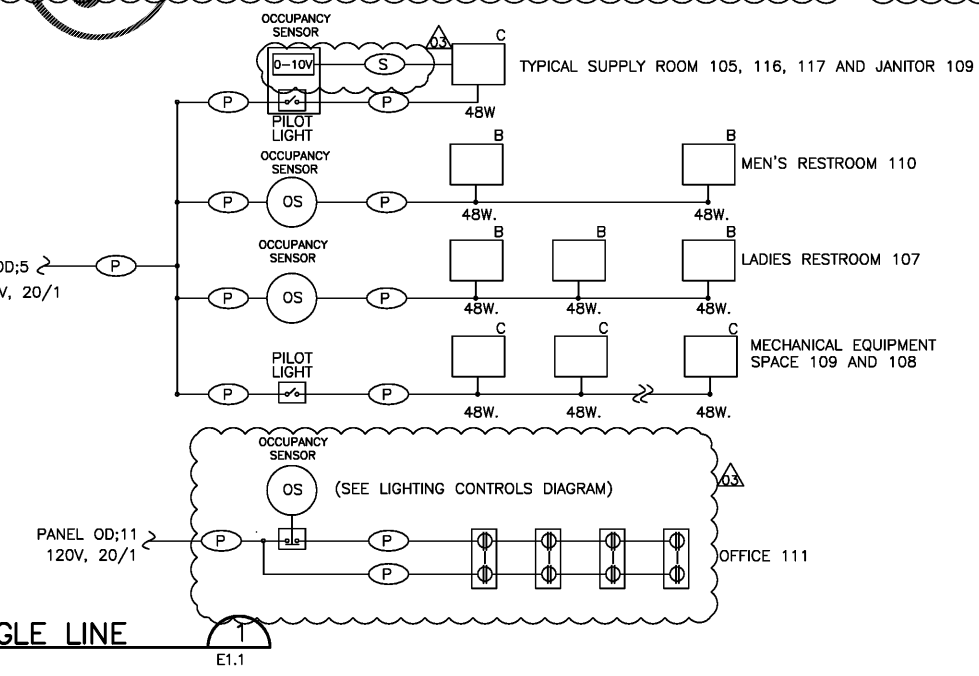
NOTE: DATA SUMMARIZED FROM COMCHECK SOFTWARE REPORT

(S)	0-10VDC 2#18 AWG JACKED
(P)	POWER BRANCH CIRCUIT SEE LEGEND
(NC)	NETWORK CONTROL CABLE

SCENE	LABEL	DESCRIPTION	HOUSE LIGHTS	EMERGENCY	REMARKS
1	AWAY	MINIMAL LIGHTING	OFF	25%	FOR UNOCCUPIED PERIODS
2	NORMAL	ALL LIGHTS ON	100%	100%	FOR OCCUPIED PERIODS
3	NIGHT	AFTER HOURS OCCUPIED	OFF	25%	FOR SLEEP PERIODS
4	50% LEVEL	REDUCED LEVEL 50%	50%	50%	FOR SPECIAL FUNCTIONS
5	25% LEVEL	REDUCED LEVEL 25%	25%	50%	FOR SPECIAL FUNCTIONS
6	TBD	DETERMINED BY OWNER			
7	TBD	DETERMINED BY OWNER			
8	TBD	DETERMINED BY OWNER			

SWITCH	LABEL	CONTROL	LEVEL	DESCRIPTION
1	STANDBY	OCCUPANCY SENSOR	50%	AUTOMATIC ON/OFF
2	ON	LC2 PRESET	100%	FOR OCCUPIED PERIODS
3	NIGHT	LC2 PRESET	25%	FOR SLEEP PERIODS
4	80% LEVEL	LC2 PRESET	80%	FOR SPECIAL FUNCTIONS

SWITCH	LABEL	CONTROL	LEVEL	DESCRIPTION
1	STANDBY	OCCUPANCY SENSOR	50%	AUTOMATIC ON/OFF
2	ON	SWITCH	100%	FOR OCCUPIED PERIODS



LIGHTING CONTROL SINGLE LINE
 NTS
 E1.1

STRUCTURAL DRAWINGS ARE BASED ON ICC 500 "ICC/NSSA STANDARD FOR THE DESIGN AND CONSTRUCTION OF STORM SHELTERS." BASED ON THE "DESIGN WIND SPEED MAP FOR STORM SHELTERS," THE STRUCTURAL SYSTEMS FOR THE BUILDING WAS DESIGNED FOR ZONE IV (250 MILES PER HOUR) LOADS.