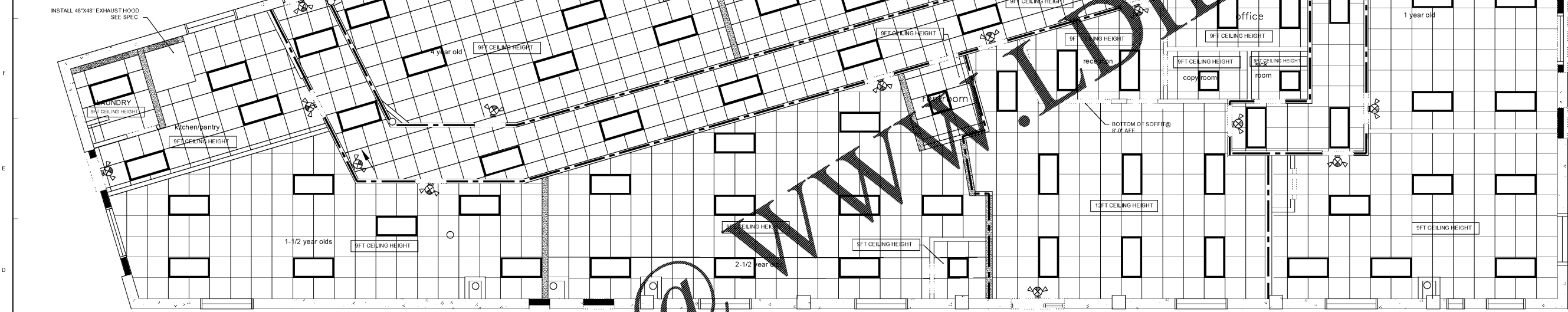
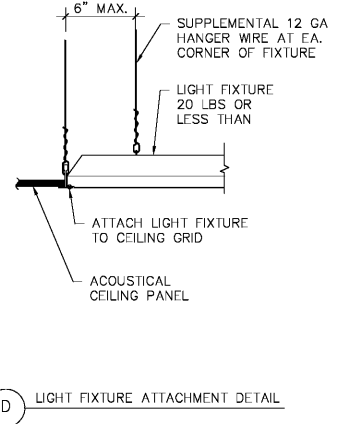
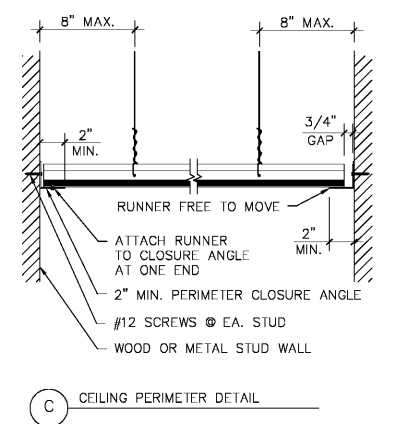
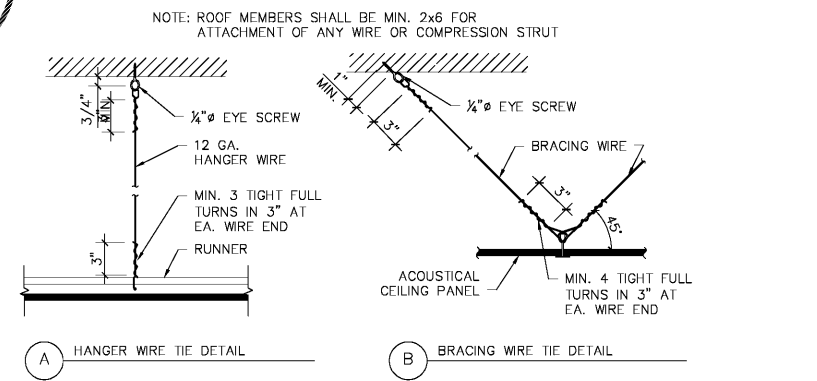


FIGURE 1. ZONE 2 TREATMENT OF CROSS RUNNERS, MAIN RUNNERS, AND WALL CLOSURES AT TERMINAL ENDS.



C1 REFLECTED CEILING PLAN			
1/4"=1'-0"			
SYMBOL	DESCRIPTION	SYMBOL	DESCRIPTION
	NEW RECESSED 2X4 FLOURESCENT FIXTURE		WALL MOUNTED EMERGENCY/EXIT LIGHT
	NEW RECESSED 2X2 FLOURESCENT FIXTURE		CEILING HUNG EXIT LIGHT
	NEW 2X2 ACOUSTICAL CEILING TILE W/ REVEAL AND SUSPENSION GRID. COLOR TO BE WHITE		STROBE-VISUAL ALARM
	RESTROOM EXHAUST FAN OPTIONAL		
	GYPSUM BOARD CEILING REFER TO CEILING PLAN FOR HEIGHT		

A1 CEILING LEGEND



COPYRIGHT NOTE:		
THIS DRAWING ITS COPIES AND ALL RELATED DOCUMENTS ARE THE PROPERTY OF THE DESIGN TEAM & MAY NOT BE REPRODUCED IN ANY MANNER AND/OR USED IN CONNECTION WITH ANY OTHER LOCATION OTHER THAN THIS SPECIFIC PROJECT WITH OUT THE EXPRESS WRITTEN CONSENT OF THE DESIGN TEAM		
ALL IDEAS, DESIGNS, ARRANGEMENTS AND PLANS INDICATED OR REPRESENTED BY THIS DRAWING ARE OWNED BY AND THE PROPERTY OF CONTRACT DESIGN CONCEPTS, INC. AND WE CREATED, EVOLVED AND DEVELOPED FOR USE ON AND IN CONNECTION WITH THE SPECIFIED PROJECT. NONE OF THE IDEAS, DESIGNS, ARRANGEMENTS OR PLANS SHALL BE USED BY OR DISCLOSED TO ANY PERSON, FIRM, OR CORPORATION FOR ANY PURPOSE WHATSOEVER WITH OUT THE WRITTEN PERMISSION OF CONTRACT DESIGN CONCEPTS, INC.		
SCOPE OF DOCUMENT:		
THESE DOCUMENTS INDICATE THE GENERAL SCOPE OF THE PROJECT IN TERMS OF ARCHITECTURAL DESIGN CONCEPTS, THE DIMENSIONS OF THE BUILDING, THE MAJOR ARCHITECTURAL ELEMENTS AND THE TYPE OF STRUCTURAL, MECHANICAL, ELECTRICAL SYSTEMS. THE DRAWINGS DO NOT NECESSARILY INDICATE OR DESCRIBE ALL WORK FOR THE FULL PERFORMANCE AND COMPLETION OF THE REQUIREMENTS OF THE CONTRACT ON THE BASIS OF THE GENERAL SCOPE INDICATED OR DESCRIBED. THE TRADE CONTRACTOR SHALL FURNISH ALL ITEMS REQUIRED FOR THE PROPER EXECUTION AND COMPLETION OF THE WORK.		
No.	Date	Revisions / Submissions
△		
△		
△		
△		
△		
△		
△		

SHEET TITLE  
**CEILING PLAN, LEGEND & DETAILS**

PROJECT NAME  
**CREEK STONE ACADEMY CHILDCARE CENTER**

2465 MEMORIAL DRIVE  
ATLANTA, GA 30317  
(DEKALB COUNTY)

STAMP

ISSUED FOR CONSTRUCTION

ISSUE DATE: FEB 2019  
PROJECT: CREEK STONE  
DRAWN: TEAM

SHEET No.:  
**A401**

CONTRACT DESIGN CONCEPTS INCORPORATED  
3865 SWIFTWATER PARKWAY  
SUITE 307  
SUWANEE, GA 30024  
PHONE: 404.307.5933