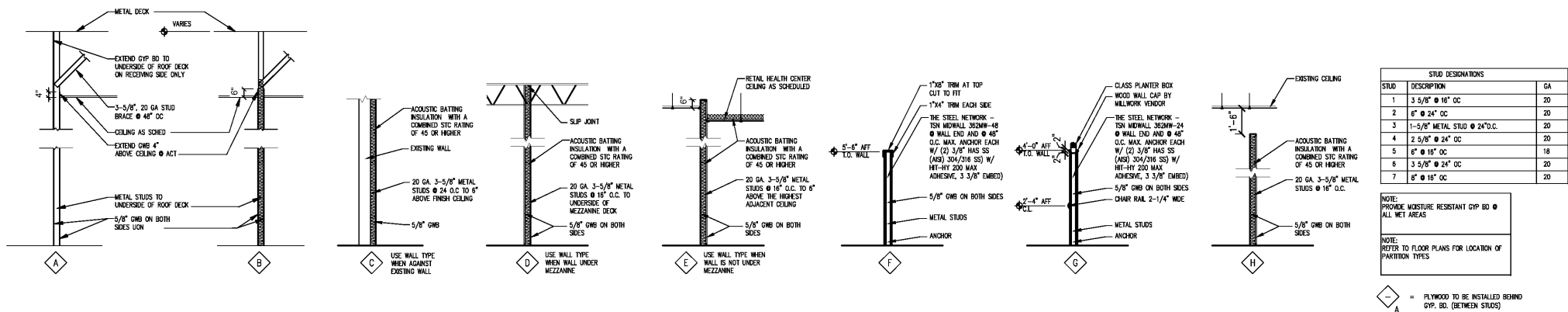


PARTITION TYPES

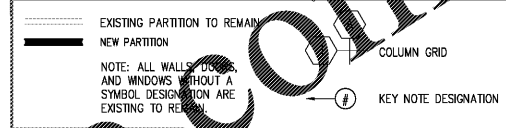


STUD	DESCRIPTION	GA
1	3 1/2" x 16" OC	20
2	2" x 24" OC	20
3	1 1/2" x 16" METAL STUD @ 24" O.C.	20
4	2 1/2" x 24" OC	20
5	2" x 16" OC	18
6	3 1/2" x 24" OC	20
7	2" x 16" OC	20

NOTES

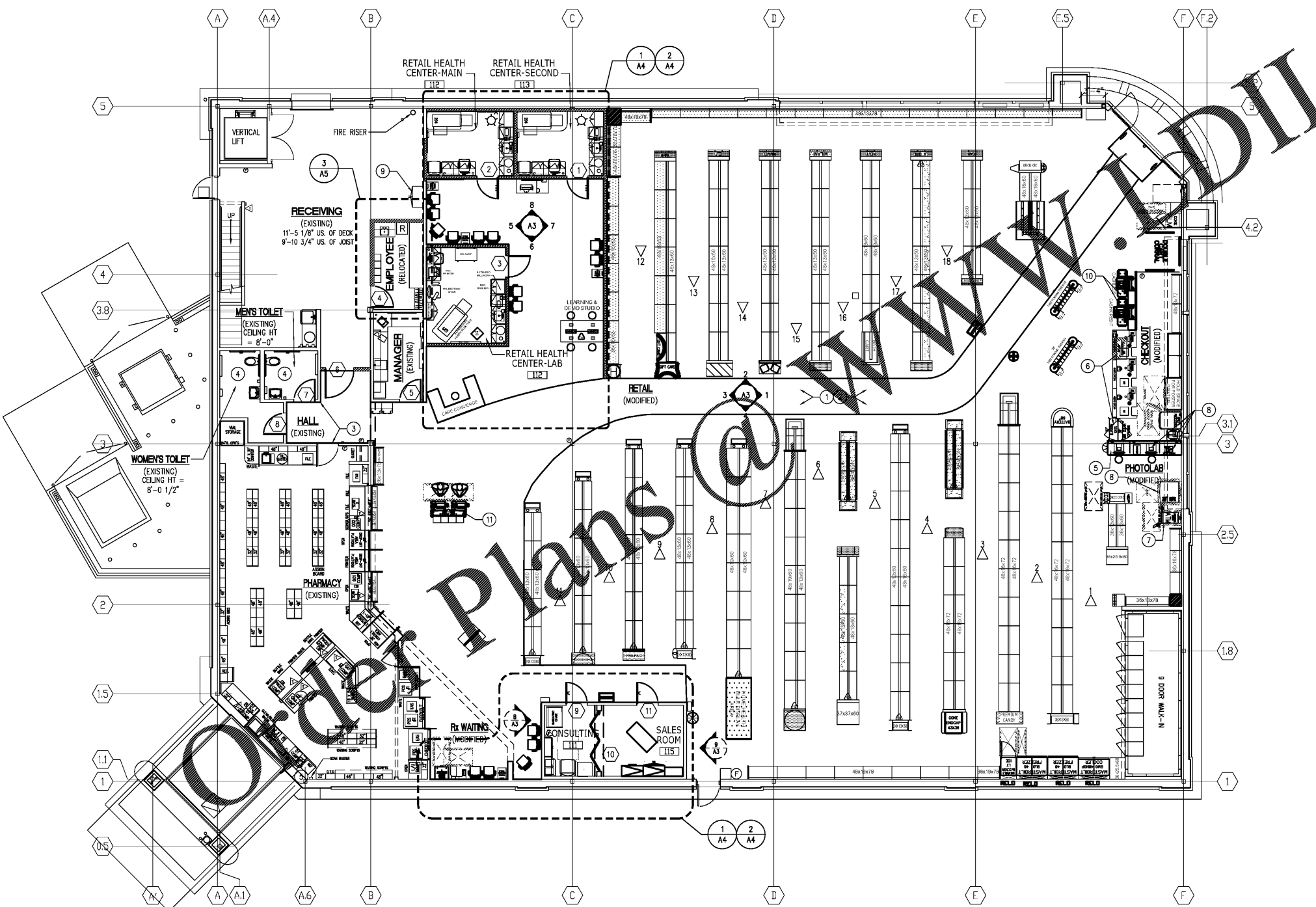
1. VERIFY ALL WORK AND MEASUREMENTS IN FIELD BETWEEN CVS PROJECT MANAGER AND GENERAL CONTRACTOR PRIOR TO ANY WORK BEING DONE.
2. CLEAN ALL FINISHED SURFACES (GLASS, FRAMING, LAMINATE, CARPET, ETC.) AT PROJECT COMPLETION THROUGHOUT ENTIRE STORE.
3. ALL WORK IN CHECK OUT AREA SHALL BE COMPLETED OVERNIGHT AND SHALL BE FULLY OPERATIONAL BY NEXT DAY STORE OPENING.
4. THE PHARMACY SHALL REMAIN SECURE AT ALL TIMES.
5. RELOCATED GONDOLAS (ONLY IF CONTRACTOR HAS GONDOLA TRAINING). CONTRACTOR RESPONSIBLE FOR MOVING ALL GONDOLAS LEVELING AND STRAIGHTENING. THE STORE PERSONNEL OR STORE SET-UP PERSONNEL WILL MOVE ALL THE MERCHANDISE IN THE STORE PRIOR TO THE REMODEL INCLUDING FRONT CHECK-OUT AND PHARMACY.
6. ALL EXISTING PHARMACY REGISTERS ARE IBM TOUCHSCREEN. GC SHALL BE RESPONSIBLE FOR SECURING ALL EXISTING EQUIPMENT TO REMAIN. COORDINATE NEW EQUIPMENT WITH CPM.

LEGEND



NOTES BY SYMBOL

1. LOCATE MERCHANDISE FIXTURES, END PANELS AND POWER DROPS AS SHOWN ON MERCHANDISE PLAN.
2. INSTALL NEW 3-SIDED AISLE MARKERS
3. IN HALLWAY, PATCH AND PAINT ALL WALLS.
4. CLEAN RESTROOMS AND PATCH AND PAINT WALLS
5. INSTALL NEW CAFE PHOTOLAB
6. INSTALL NEW FRONT CHECKOUT WITH END PANELS, AND NEW GATE.
7. RELOCATED ATM
8. NEW AND/OR RELOCATED PHOTOLAB EQUIPMENT
9. NEW GRANGER HEAVY DUTY STORAGE CABINET # 34A983 (24x48x78) COORDINATE LOCATION WITH CVS CM.
10. NEW SELF CHECKOUTS
11. NEW RX EXPRESS KIOSK
- 12.
- 13.
- 14.
- 15.
- 16.

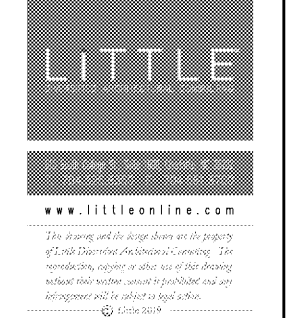


1 OVERALL FLOOR PLAN
A1 1/8" = 1'-0"

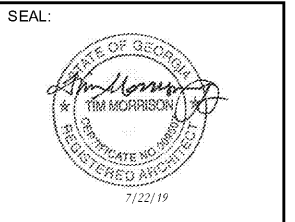


STORE NUMBER: 4522
800 EAST WEST CONNECTOR
AUSTELL, GA
PROJECT TYPE: Health Hub and Reset
DEAL TYPE:
CS PROJECT NUMBER: 134320

ARCHITECT OF RECORD



CONSULTANT:



REVISIONS:

NO.	DESCRIPTION	DATE

CVS PROJECT MANAGER: SB
DRAWING BY: JC
DATE: 07-22-2019
JOB NUMBER: 121-12600-08
TITLE:

OVERALL FLOOR PLAN

SHEET NUMBER: A1

COMMENTS: