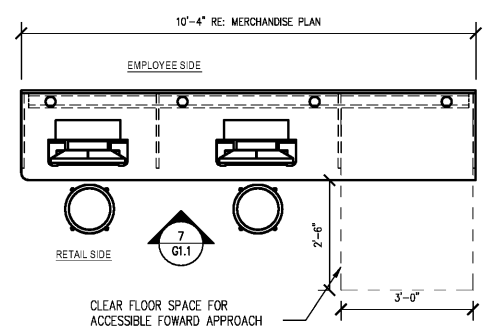
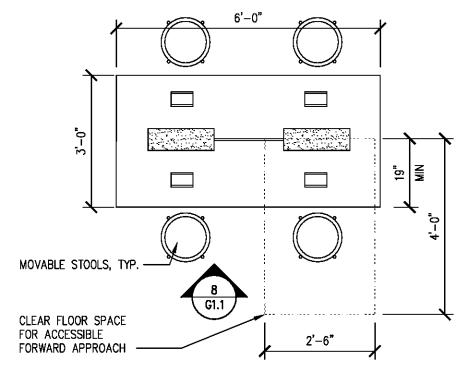


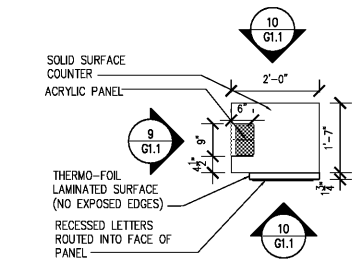
1 ADA FRONT CHECKOUT COUNTER  
G1.1 SCALE: 1/2" = 1'-0"



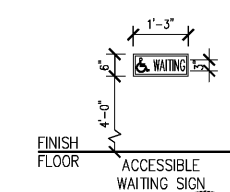
2 ADA PHOTOLAB COUNTER  
G1.1 SCALE: 1/2" = 1'-0"



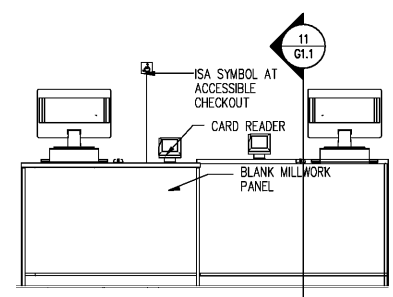
3 ADA LEARNING & DEMO TABLE  
G1.1 SCALE: 1/2" = 1'-0"



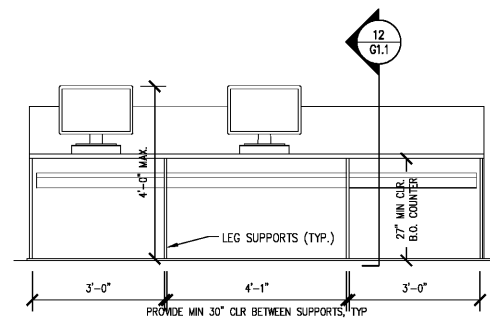
4 ADA CONCIERGE DESK  
G1.1 SCALE: 1/2" = 1'-0"



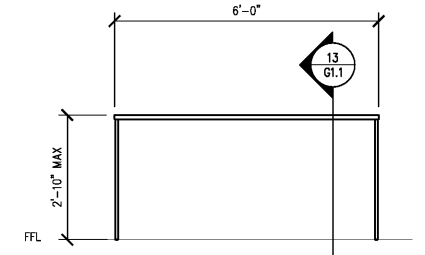
5 ACCESSIBLE WAITING SIGN  
G1.1 SCALE: 1/2" = 1'-0"



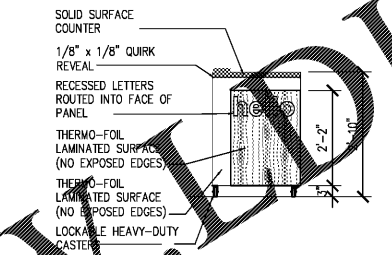
6 ADA FRONT CHECKOUT COUNTER ELEVATION  
G1.1 SCALE: 1/2" = 1'-0"



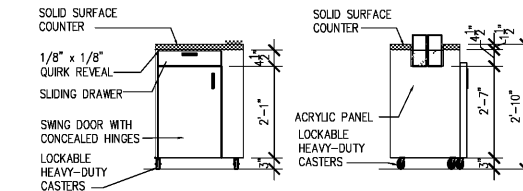
7 ADA PHOTOLAB COUNTER ELEVATION  
G1.1 SCALE: 1/2" = 1'-0"



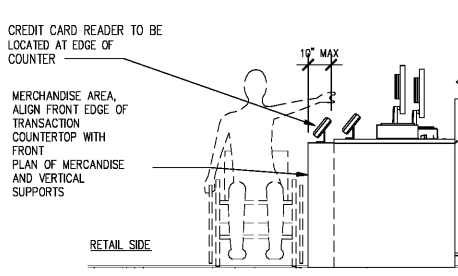
8 ADA LEARNING & DEMO TABLE ELEVATION  
G1.1 SCALE: 1/2" = 1'-0"



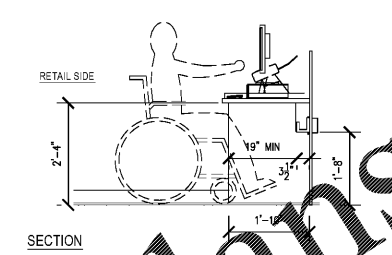
9 ADA CONCIERGE DESK FRONT ELEVATION  
G1.1 SCALE: 1/2" = 1'-0"



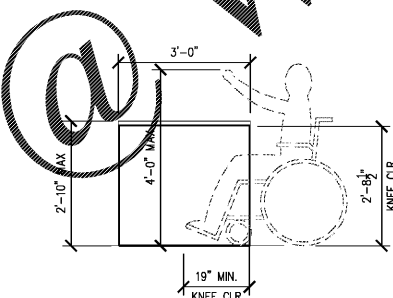
10 ADA CONCIERGE DESK BACK/SIDE ELEVATION  
G1.1 SCALE: 1/2" = 1'-0"



11 ADA FRONT CHECKOUT COUNTER SECTION  
G1.1 SCALE: 1/2" = 1'-0"



12 ADA PHOTO LAB COUNTER SECTION  
G1.1 SCALE: 1/2" = 1'-0"



13 ADA LEARNING & DEMO TABLE SECTION  
G1.1 SCALE: 1/2" = 1'-0"

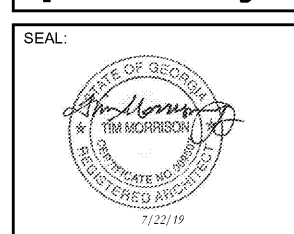
Order Plans



STORE NUMBER: 4522  
800 EAST WEST CONNECTOR  
AUSTELL, GA  
PROJECT TYPE: Health Hub and Reset  
DEAL TYPE:  
CS PROJECT NUMBER: 134320



CONSULTANT:



REVISIONS:


CVS PROJECT MANAGER: SB  
DRAWING BY: JC  
DATE: 07-22-2019  
JOB NUMBER: 121-12600-08  
TITLE:

ACCESSIBLE DETAILS  
SHEET NUMBER: G1.1  
COMMENTS: