

Order Plans @ www.diline.com

PANELBOARD A SCHEDULE

VOLTAGE: 120/208V, 3P, 4W MAINS: 400A M.L.C. MOUNTING SURFACE: REMARKS:

BUS SIZE: 400A TOTAL LOAD: 65.4 KVA (RESERVED LOAD) FAULT DUTY: 25,000 AIC FEED THRU LUGS

NO	SERVES	NOTE	LOAD (KVA)					BRKR	PHASE	BRKR	LOAD (KVA)					SERVES	NO		
			Ltg	Recept	Misc	HTG	Misc				Ltg	Recept	Misc	HTG	Misc				
1	POLE SITE LIGHTING	11						20	2									2	LIGHTNING/ SURGE
3	POLE SITE LIGHTING	11						20	2									4	LIGHTNING/ SURGE
5	BUILDING UP LIGHTS	11						20	1									6	LIGHTNING/ SURGE
7	FLAG POLE	11						20	1									8	AC-1
9	SIGNAGE	11						20	1									10	AC-2
11	DRIVE THRU CANOPY	11						20	1									12	AC-3
13	OPEN/CLOSED SIGNS	11						20	1									14	SPACE
15	LIGHTING	13						20	1									16	SPACE
17	LIGHTING	12						20	1									18	SPACE
19	LIGHTING	18						20	1									20	HP-1
21	LIGHTING	10.8						20	1									22	HP-1
23	LIGHTING	10						20	1									24	HP-2
25	SPACE																	26	HP-2
27	SPACE																	28	HP-3
29	SPACE																	30	HP-3
31	SPACE																	32	EUH
33	SPACE																	34	EUH
35	SPACE																	36	ATM
37	SPACE																	38	WATER HEATER
39	SPACE																	40	WATER HEATER
41	SPACE																	42	SPACE

LOAD SUMMARY LIGHTING: 55 KVA A/C: 5.5 KVA RECEPTACLE: 0.0 KVA HEATING: 6.0 KVA MOTOR: 5.6 KVA MISC: 0.0 KVA

NOTES:
① ROUTE CIRCUIT THRU CONTACTOR 'A'

PANELBOARD B SCHEDULE

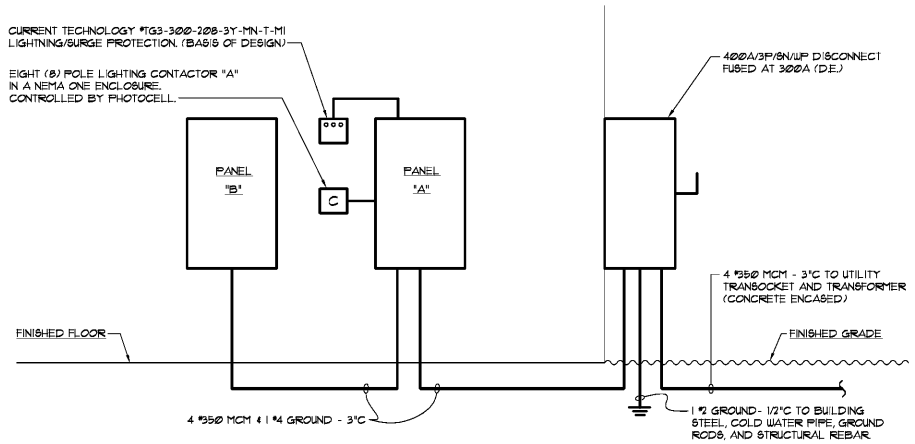
VOLTAGE: 120/208V, 3P, 4W MAINS: 400A M.L.C. MOUNTING SURFACE: REMARKS: ---

BUS SIZE: 400A TOTAL LOAD: 34.4 KVA (RESERVED LOAD) FAULT DUTY: 25,000 AIC

NO	SERVES	NOTE	LOAD (KVA)					BRKR	PHASE	BRKR	LOAD (KVA)					SERVES	NO		
			Ltg	Recept	Misc	HTG	Misc				Ltg	Recept	Misc	HTG	Misc				
1	DRIVE UP TELLERS							20	1									2	LOBBY FLOOR BOXES
3	DRIVE UP TELLERS							20	1									4	LOBBY FLOOR BOXES
5	DRIVE UP TELLERS							20	1									6	OFFICE 106
7	DRIVE UP TELLERS							20	1									8	OFFICE 107
9	DRIVE UP TELLERS							20	1									10	OFFICE 105
11	DRIVE UP TELLERS							20	1									12	OFFICE 104
13	TELLERS							20	1									14	VAULT LOBBY FLOOR BOX
15	WORKROOM							20	1									16	GENERAL PURPOSE
17	WORKROOM							20	1									18	OFFICE 123
19	WORKROOM							20	1									20	OFFICE 124
21	WORKROOM							20	1									22	CONF. 122
23	TELEVISION IN LOBBY							20	1									24	GENERAL PURPOSE
25	COFFEE N LOBBY							20	1									26	TELE BKBD
27	COFFEE N LOBBY							20	1									28	NIGHT DEPOSIT
29	GENERAL PURPOSE							20	1									30	VAULT
31	GENERAL PURPOSE							20	1									32	VAULT DOOR
33	BREAKROOM							20	1									34	SPACE
35	BREAKROOM							20	1									36	SPACE
37	BREAKROOM							20	1									38	SPACE
39	BREAKROOM							20	1									40	SPACE
41	TELE BKBD							20	1									42	SPACE

LOAD SUMMARY LIGHTING: 0.0 KVA A/C: 0.0 KVA RECEPTACLE: 34.4 KVA HEATING: 0.0 KVA MOTOR: 0.0 KVA MISC: 0.0 KVA

NOTES:
① G.F.C.I. TYPE BREAKER



1 RISER DIAGRAM
E-4 NOT TO SCALE

MATHIS & ROBERDS
CONSULTING ENGINEERS
24 ODELL ROAD SUITE 6
GRIFFIN, GEORGIA 30224
TELEPHONE 770-228-8160

HLH
H. LLOYD HILL
ARCHITECTS
& ASSOCIATES, INC.
736 GREEN STREET
GAINESVILLE, GA 30501
(770) 534-8404

A.I.A.

No. PE029810
PROFESSIONAL ENGINEER
KEITH MATHIS
08-06-2015

New Cornelia Branch
Southern Bank & Trust
Cornelia, Georgia
COPYRIGHT © 2019 - H. LLOYD HILL ARCHITECTS AND ASSOCIATES, INC.

DATE	DESCRIPTION
04-09-2019	SCHEMATIC DESIGN DRAWINGS
04-30-2019	DESIGN DEVELOPMENT DRAWINGS
07-23-2019	CONSTRUCTION / BID DRAWINGS

PROJ. NO: G1902
FILE NAME:
DRAWN BY: CNH / JKM
SHEET TITLE:
PANELBOARD SCHEDULES AND RISER DIAGRAM
SHEET NUMBER:
E-4