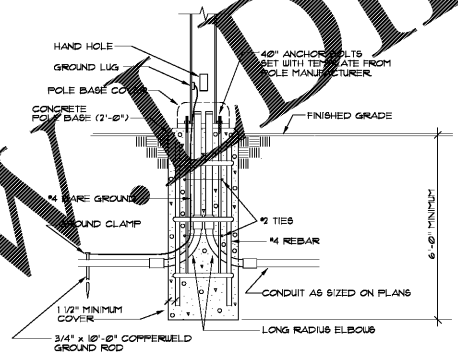


GENERAL ELECTRICAL NOTES

- A. MECHANICAL EQUIPMENT LOCATIONS SHOWN ON ELECTRICAL DRAWINGS ARE APPROXIMATE. REFER TO MECHANICAL DRAWINGS FOR EXACT LOCATION OF EACH UNIT.
- B. CONTRACTOR PROPOSING TO UNDERTAKE WORK UNDER THIS DIVISION SHALL VISIT THE SITE OF THE WORK AND FULLY INFORM THEMSELVES OF ALL CONDITIONS THAT EFFECT THE WORK OR COST THEREOF, AND EXAMINE THE DRAWINGS AS RELATED TO THE SITE CONDITIONS, PRIOR TO SUBMITTING HIS PROPOSAL FOR WORK.
- C. CONSIDERATION WILL NOT BE GRANTED FOR ANY ALLEGED MISUNDERSTANDING OF THE AMOUNT OF WORK TO BE PERFORMED. TENDER OF PROPOSAL SHALL CONVEY FULL AGREEMENT TO THE ITEMS AND CONDITIONS INDICATED ON THE DRAWINGS. SHOULD THE CONTRACTOR FIND DISCREPANCIES OR OMISSIONS IN THE CONTRACT DOCUMENTS OR BE IN DOUBT AS TO THE INTENT THEREOF, HE SHALL IMMEDIATELY OBTAIN CLARIFICATION FROM THE ENGINEER AND/OR OWNER'S REPRESENTATIVE PRIOR TO SUBMITTING HIS PROPOSAL FOR WORK.
- D. THIS CONTRACTOR SHALL VERIFY EXACT NAMEPLATE DATA ON ALL EQUIPMENT FURNISHED UNDER OTHER DIVISIONS AND/OR BY THE OWNER (IE, HVAC EQUIPMENT, ETC.) PRIOR TO THE INSTALLATION OF ELECTRICAL WORK AND MAKE ANY ADJUSTMENTS TO OUTLETS, CONDUIT, WIRE, AND/OR CIRCUIT BREAKER AS REQUIRED TO MATCH EQUIPMENT ACTUALLY FURNISHED.
- E. ALL WALL MOUNTED DEVICES SHALL BE FLUSH MOUNTED.
- F. ALL LED LIGHTING FIXTURES SHALL HAVE A MINIMUM 10 YEAR WARRANTY.
- G. SUBMIT FACTORY COORDINATED LOCATIONS OF ALL CEILING MOUNTED MOTION SENSORS. INCLUDE WITH LIGHTING SHOP DRAWINGS.

SYMBOL LEGEND

SYMBOL	DESCRIPTION	MOUNTING HEIGHT
○	DOWNLIGHT	
○	LIGHT FIXTURE - WALL MOUNTED	AS NOTED
□	2' X 4' LIGHT FIXTURE	
□	2' X 4' LIGHT FIXTURE ON EMERGENCY CIRCUIT	
□	1' X 4' LIGHT FIXTURE	
□	1' X 4' LIGHT FIXTURE ON EMERGENCY CIRCUIT	
⊙	EXIT SIGN - CEILING MOUNTED DARKENED SECTION(S) OF SYMBOLS INDICATE FACES OF FIXTURE	
⊙	EXIT SIGN - WALL MOUNTED DARKENED SECTION(S) OF SYMBOLS INDICATE FACES OF FIXTURE	
⊙	EXIT SIGN - CEILING MOUNTED DARKENED SECTION(S) OF SYMBOLS INDICATE FACES OF FIXTURE	
⊙	EXIT SIGN - WALL MOUNTED DARKENED SECTION(S) OF SYMBOLS INDICATE FACES OF FIXTURE	
S ³	KEY OPERATED THREE-WAY SWITCH	48"
S	S.P.S.T. LIGHT SWITCH	48"
⊙	WALL MOUNTED RECEPTACLE SWITCH LOCAL TECHNOLOGY (HUBBELL * JVPF, BASIS OF DESIGN)	48"
⊙	LOW VOLTAGE DUAL TECHNOLOGY 360 DEGREE CEILING MOUNTED OCCUPANCY SENSOR (HUBBELL * OPN-DT-2000, BASIS OF DESIGN)	
⊙	LOW VOLTAGE DUAL TECHNOLOGY 360 DEGREE CEILING MOUNTED, INDOOR OCCUPANCY SENSOR FOR AREAS WHERE CEILING HEIGHT IS 10'-0" AT LEAST (HUBBELL * USP-SM-24V SENSOR, USP-1360-UH LENS, BASIS OF DESIGN)	
⊙	POLE PACK INSTALLED ABOVE CEILING (HUBBELL * JVPF, BASIS OF DESIGN)	
⊙	6-16 VOLT SLIDE DIMMER (INCLUDE POWER PACK IF LOAD EXCEEDS RATING OF DIMMER)	48"
S	THREE-WAY LIGHT SWITCH	48"
S	FOUR-WAY LIGHT SWITCH	48"
S ^A	KEY OPERATED LIGHT SWITCH	48"
⊙	SINGLE RECEPTACLE OUTLET	18"
⊙	DUPLEX RECEPTACLE OUTLET	18"
⊙	DUPLEX RECEPTACLE OUTLET WITH 2 USB PORTS	18"
⊙	QUAD RECEPTACLE OUTLET	18"
⊙	DUPLEX RECEPTACLE MOUNTED 6" ABOVE BACKSPASH	
⊙	JUNCTION BOX W/COVERPLATE - ABOVE CEILING	
⊙	JUNCTION BOX W/COVERPLATE - WALL MOUNTED	
-D-	1/2" IN SLAB TO ACCOMMODATE DATA CABLES	
-D-	1/2" IN SLAB ROUTED TO PLYWOOD BACKBOARD TO ACCOMMODATE DATA CABLES. INSTALL FULL STRING.	
-A-	1/2" IN SLAB ROUTED TO PLYWOOD BACKBOARD TO ACCOMMODATE ALARM CABLES. INSTALL FULL STRING.	
⊙	HUBBELL QUAD IS-5362	18"
⊙	SPECIAL OUTLET (AS NOTED)	
⊙	PANELBOARD 480V	
⊙	PANELBOARD 240V	
⊙	DISCONNECT SWITCH - HORSEPOWER RATED	
⊙	MOTOR - FRACTIONAL HORSEPOWER	
⊙	MOTOR - NUMERAL INDICATES HORSEPOWER	
⊙	TELEPHONE OUTLET WITH 1/2" STUBBED INTO ACCESSIBLE PLENUM	48"
⊙	DATA OUTLET WITH 1/2" STUBBED INTO ACCESSIBLE PLENUM	18"
⊙	CONDUIT CONCEALED IN WALLS, ABOVE CEILING, OR EXPOSED WHERE NO CEILING	
⊙	CONDUIT CONCEALED IN SLAB, IN GROUND, OR UNDER FLOOR	
W.P.	WEATHER PROOF	
G	GROUND FAULT INTERRUPT	
UNO	UNLESS NOTED OTHERWISE	
NF	NON FUSED	
SN	SOLID NEUTRAL	



2 DETAIL - POLE BASE FLUSH
E-1 NOT TO SCALE

ELECTRICAL NOTES:

1. CONTRACTOR SHALL INCLUDE ONE NIGHT VISIT WITH OWNER REPRESENTATIVE TO DETERMINE FINAL AIMING POSITION. FIXTURE SHALL HAVE CONCRETE BASE FLUSH WITH GRADE. COORDINATE EXACT LOCATION OF EACH 'OD' FIXTURE WITH LANDSCAPING AND ARCHITECT.
2. CIRCUIT ALL TYPE 'OD' FIXTURES, SHOWN UP-LIGHTING BUILDING, TOGETHER WITH 2#0 4 #10 GROUND - 1/2" C. EXTEND CIRCUIT THRU CONTACTOR 'A'. REFER TO RIBER DIAGRAM FOR ADDITIONAL INFORMATION. SERVE FROM CIRCUIT A-5.
3. INSTALL 1 # 2" C. FROM BACKBOARD TO PROPERTY LINE TO ACCOMMODATE CABLE T.V. SERVICE. COORDINATE EXACT LOCATION OF CONDUIT TERMINATION AT PROPERTY LINE WITH CABLE T.V. VENDOR.
4. INSTALL A 1" CONDUIT BELOW DRIVE AS INDICATED. ENDS SHALL BE CAPPED FOR FUTURE USE. FIELD COORDINATE EXACT LOCATION OF CONDUIT TERMINATIONS WITH ARCHITECT. CONDUIT SHALL BE CONCRETE ENCASED.
5. INCOMING ELECTRICAL SERVICE. REFER TO ELECTRICAL RIBER DIAGRAM FOR ADDITIONAL INFORMATION.
6. UNDERGROUND INCOMING TELEPHONE SERVICE CONDUIT. INSTALL 2 # 4" C. FROM TELEPHONE EQUIPMENT BACKBOARD TO PROPERTY LINE AS INDICATED. FIELD VERIFY EXACT LOCATION OF CONDUIT TERMINATION AT PROPERTY LINE WITH LOCAL PHONE COMPANY FIELD REPRESENTATIVE. PROVIDE NYLON FULL WIRE AS DIRECTED BY LOCAL PHONE COMPANY.
7. REFER TO DRAWINGS E-2 FOR EXACT LOCATION OF CONDUIT TERMINATIONS INDICATED.
8. PROPOSED LOCATION OF UTILITY COMPANY PAD MOUNTED TRANSFORMER. COORDINATE EXACT LOCATION WITH UTILITY REPRESENTATIVE.
9. PROPOSED LOCATION OF UTILITY COMPANY PEDESTAL MOUNTED TRANS-SOCKET. PEDESTAL AND TRANS-SOCKET ARE FURNISHED BY UTILITY. INSTALLED BY CONTRACTOR. COORDINATE EXACT LOCATION WITH UTILITY REPRESENTATIVE.

1 SITE PLAN - ELECTRICAL
E-1 SCALE: 1/16" = 1'-0"

NOTE:
CONTRACTOR SHALL SUBMIT POINT-TO-POINT FOOTCANDLE LEVELS FOR SITE. SUBMIT WITH LIGHTING SHOP DRAWINGS.

NOTE:
CONDUIT EMBEDDED IN CONCRETE, WHICH IS IN CONTACT WITH THE EARTH, AND CONDUIT INSTALLED OUTSIDE THE BUILDING BELOW GRADE SHALL BE RIGID STEEL CONDUIT, IMC, OR SCHEDULE 40 PVC. CONDUIT ELSEWHERE SHALL BE EMT UNLESS SPECIFIED OR NOTED OTHERWISE. SCHEDULE 40 PVC CONDUITS SHALL HAVE RIGID STEEL ELBOWS AT ALL BENDS. SCHEDULE 40 PVC IS NOT ALLOWED ABOVE SLAB, IN WALLS, ABOVE CEILINGS, OR EXPOSED.

Order Plans @ WWW.DIline.com

New Cornelia Branch
Southern Bank & Trust
Cornelia, Georgia

COPYRIGHT (C) 2019 - H. LLOYD HILL ARCHITECTS AND ASSOCIATES, INC.

MATHIS & ROBERDS
CONSULTING ENGINEERS
244 ODELL ROAD SUITE 6
GRIFFIN, GEORGIA 30224
TELEPHONE 770-228-8160

2019-581 | RCM

DATE	DESCRIPTION
04-09-2019	SCHEMATIC DESIGN DRAWINGS
04-30-2019	DESIGN DEVELOPMENT DRAWINGS
07-23-2019	CONSTRUCTION / BID DRAWINGS

PROJ. NO: G1902
FILE NAME:
DRAWN BY: CNH / JKM
SHEET TITLE:
SITE PLAN - ELECTRICAL
SHEET NUMBER:
E-1