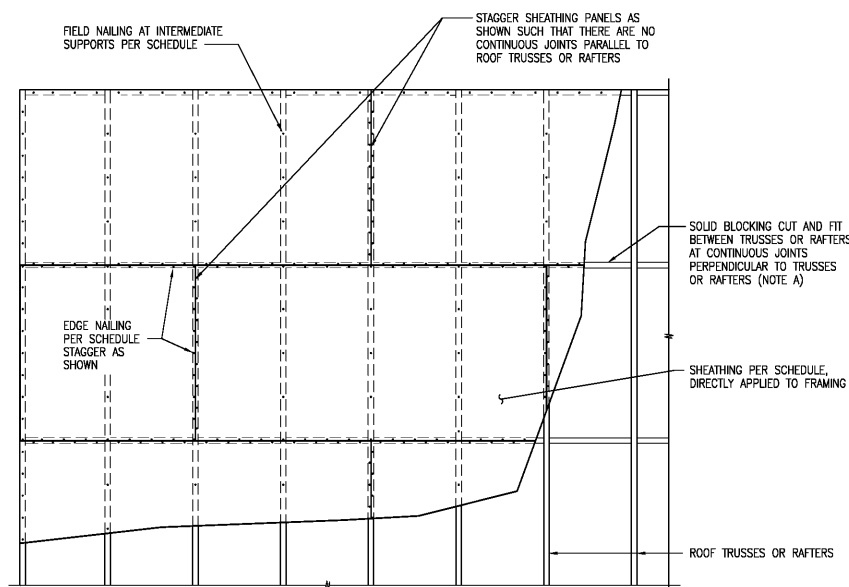
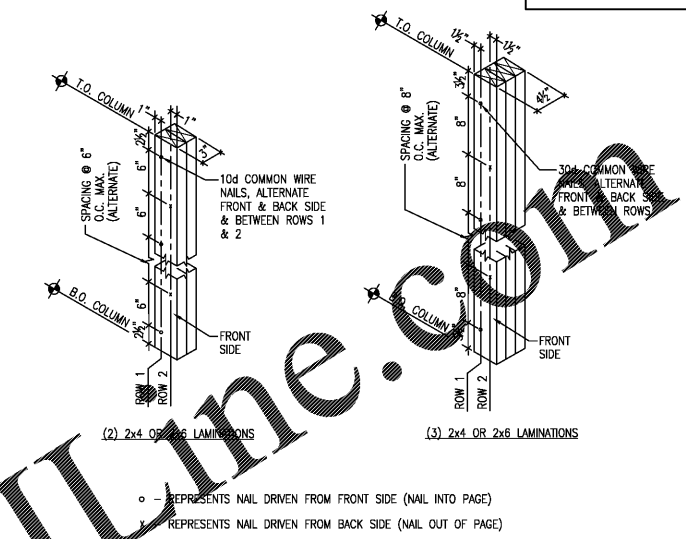


1 TYPICAL SHEAR WALL ELEVATION
S201 SCALE: N.T.S.



2 TYPICAL ROOF SHEATHING NAILING
S201 SCALE: N.T.S.



3 MECHANICALLY LAMINATED BUILT-UP COLUMNS
S201 SCALE: N.T.S.

TYPICAL SHEAR WALL NOTES

GENERAL CONSTRUCTION NOTES:

- SEE SCHEDULE FOR GRADE OF STUDS AND PLATES TO BE USED TO FRAME THE WALL, SEE DETAIL 1/S201.
- PROVIDE SINGLE PRESSURE TREATED PLATE AT BOTTOM OF WALL AND DOUBLE PLATE AT TOP OF WALL.
- FASTENERS SHALL BE 1/2" 16 GAGE STAPLES OR 8d NAILS SHALL BE A MINIMUM PENETRATION INTO FRAMING OF 1".
- FASTENERS ALONG PANEL EDGES IN SHEAR PANELS SHALL BE PLACED IN FROM PANEL EDGES NOT LESS THAN 3/8".
- PANEL THICKNESSES SHOWN SHALL BE MINIMUMS.
- PANELS LESS THAN 12" WIDE SHALL NOT BE USED.
- MAXIMUM SPACING OF FRAMING SPACING SHALL BE 24" O.C.
- STAPLES SHALL HAVE A 1/8" MINIMUM CROWN, AND SHALL BE INSTALLED WITH THEIR CROWNS PARALLEL TO THE LONG DIMENSION OF THE FRAMING MEMBERS.

WOOD STRUCTURAL PANEL SHEATHING:

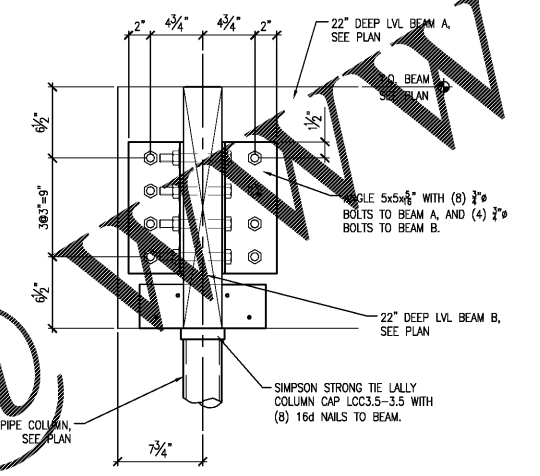
- WOOD STRUCTURAL PANELS SHALL BE FIRE RESISTANT (SEE ARCHITECTURAL DRAWINGS) AND SHALL BE MANUFACTURED USING EXTERIOR GLUE AND SHALL COMPLY WITH DOC P51 OR P52.
- STRUCTURAL PANELS SHALL BE PERMITTED TO BE APPLIED EITHER PARALLEL OR PERPENDICULAR TO FRAMING.
- WOOD STRUCTURAL PANELS SHALL BE ATTACHED TO STEEL FRAMING WITH A MINIMUM No.8 TAPPING SCREWS WITH A MINIMUM HEAD DIAMETER OF 0.285 INCHES OR No.10 TAPPING SCREWS WITH A MINIMUM HEAD DIAMETER OF 0.333 INCHES, IN ACCORDANCE WITH SHEAR WALL SCHEDULE.
- SCREWS USED TO ATTACH WOOD STRUCTURAL PANEL SHEATHING SHALL BE IN ACCORDANCE WITH ASTM C1513.
- ALL STRUCTURAL WOOD SHEATHING SHALL BE 3/8" STRUCTURAL 1 SHEATHING (4 PLY).

SHEAR WALL SCHEDULE

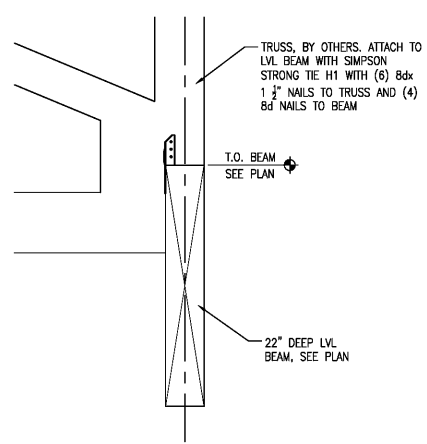
MARK	WALL LENGTH	PANEL SHEATHING	FASTENER SPACING	HOLD DOWN	ANCHOR BOLT	FRAMING GRADE	INTERMEDIATE ANCHOR SPACING	COMMENTS
SW1	14'-5 1/2"	PLYWOOD ONE FACE	6" O.C.	DTTZZ	1/2" @	SPF No.1/No.2	48" O.C.	NOTES 1, 10 & 11
SW2	24'-0"	PLYWOOD ONE FACE	6" O.C.	DTTZZ	1/2" @	SPF No.1/No.2	48" O.C.	NOTES 1-9, 10 & 11
SW3	12'-11"	PLYWOOD ONE FACE	6" O.C.	DTTZZ	1/2" @	SPF No.1/No.2	48" O.C.	NOTES 1-9, 10 & 11

NOTES:

- WALL LENGTHS SHOWN ABOVE ARE NOMINAL WALL LENGTHS, ACTUAL WALL LENGTHS OUT TO OUT OF 4x6 WALL CHORDS VARY SLIGHTLY.
- ALL SHEAR WALLS SHALL BE FRAMED 2x6 STUDS WITH A MAXIMUM SPACING @ 16" O.C. SEE SCHEDULE GRADE OF FRAMING.
- WHERE "PANEL SHEATHING" IS NOTED ABOVE, IT APPLIES TO THE STRUCTURAL SHEATHING AND ITS ATTACHMENT, NOT TO INTERIOR FINISH SHEATHING, UNLESS OTHERWISE SPECIFICALLY NOTED.
- "FASTENER SPACING" IN SCHEDULE INDICATES FASTENING AT PANEL EDGES AND SECONDARY EDGES OF ALL.
- FOR SHEAR WALLS WITH WOOD STRUCTURAL PANELS (PLYWOOD) APPLIED, THE SPACING OF FASTENERS IN FIELD OF PANELS SHALL BE 12" O.C.
- AT EACH END OF SCHEDULED SHEAR WALL, PROVIDE A SIMPSON STRONG TIE HOLD DOWN FASTENED TO 4x6 CHORD POST, AND SIMPSON STRONG TIE ANCHOR BOLT TO FOUNDATION AS SCHEDULED.
- ALL SHEAR WALLS IN THIS SCHEDULE EXTEND FROM TOP OF CONCRETE BASEMENT WALL TO ROOF TRUSS BEARING ELEVATION OR TOP OF GABLE END WALLS AS APPLICABLE.
- ALL SHEAR WALLS SHALL BE FULLY BLOCKED AT PANEL EDGES WITH 2x4 FRAMING MATCHING GRADE OF WALL FRAMING.
- ALL INTERMEDIATE ANCHORS SHALL BE 1/2" A36 ROD WITH WELDER ANCHORS, EPOXY GROUTED INTO CONCRETE WITH 6" MINIMUM EMBEDMENT, TYPICAL.
- DTTZZ HOLD DOWN ANCHOR TO BE ATTACHED TO 4x6 CHORD WITH (2) 1/2" @ 1/2" SDS SCREWS.
- 1/2" @ ANCHOR BOLTS TO BE A36 RODS, EPOXY GROUTED INTO CONCRETE WALL WITH 6" MINIMUM EMBEDMENT.



4 TYPICAL BEAM TO COLUMN & BEAM CONNECTION
S102 SCALE: 1 1/2" = 1'-0"



5 TYPICAL TRUSS BEARING ON BEAM
S102 SCALE: 1 1/2" = 1'-0"

TYPICAL WOOD FRAMING FASTENING SCHEDULE

TYPE OF CONNECTION	FASTENER TYPE & SPACING	LOCATION OF & TYPE OF FASTENING
SOLE PLATE TO JOIST OR BLOCKING	16d NAILS @ 16" O.C. 3" x 0.131" NAILS @ 8" O.C. 3" 14 GAGE STAPLES @ 12" O.C.	TYPICAL FACE NAIL
TOP PLATE TO STUD	(2) 16d COMMON NAILS (3) 3" x 0.131" NAILS (3) 3" 14 GAGE STAPLES	END NAIL
STUD TO SOLE PLATE	(4) 8d COMMON NAILS (3) 3" x 0.131" NAILS (3) 3" 14 GAGE STAPLES	TOENAIL
DOUBLE STUDS	(2) 16d COMMON NAILS (3) 3" x 0.131" NAILS (3) 3" 14 GAGE STAPLES	END NAIL
DOUBLE TOP PLATES	16d NAILS @ 24" O.C. 3" x 0.131" NAILS @ 8" O.C. 3" 14 GAGE STAPLES @ 12" O.C.	FACE NAIL
RIM JOIST TO TOP PLATE	16d NAILS @ 16" O.C. 3" x 0.131" NAILS @ 12" O.C. 3" 14 GAGE STAPLES @ 12" O.C.	TYPICAL FACE NAIL
TOP PLATES, LAPS & INTERSECTIONS	(8) 16d COMMON NAILS (12) 3" x 0.131" NAILS (12) 3" 14 GAGE STAPLES	LAP SPLICE
CONTINUOUS HEADER, TWO PIECES	8d COMMON NAILS AT 6" O.C. 3" x 0.131" NAILS AT 6" O.C. 3" 14 GAGE STAPLES AT 6" O.C.	TOENAIL
CONTINUOUS HEADER TO STUD	(2) 16d COMMON NAILS (3) 3" x 0.131" NAILS (3) 3" 14 GAGE STAPLES	FACE NAIL
BUILT-UP CORNER STUDS	16d COMMON NAILS 3" x 0.131" NAILS 3" 14 GAGE STAPLES	● 24" O.C. ● 16" O.C. ● 16" O.C.
BUILT-UP GIRDERS & BEAMS	20d COMMON NAILS @ 32" O.C. 3" x 0.131" NAILS @ 24" O.C. 3" 14 GAGE STAPLES @ 24" O.C.	FACE NAIL AT TOP & BOTTOM STAGGERED ON OPPOSITE SIDES
ROOF RAFTER OR TRUSS TO TOP PLATE OF WALL, BEAM, OR NAILED	(2) 20d COMMON NAILS (3) 3" x 0.131" NAILS (3) 3" 14 GAGE STAPLES	FACE NAIL AT ENDS & AT EACH SPLICE
ROOF SHEATHING ATTACHMENT	19/32" SHEATHING 8d COMMON NAILS @ 6" O.C. ALONG PANEL EDGES & @ 12" O.C. ALONG INTERMEDIATE SUPPORTS	SEE DETAIL 2/S102 FOR TYPICAL SHEATHING ATTACHMENT
WALL SHEATHING ATTACHMENT	15/32" SHEATHING SEE NOTES 1 & 2 BELOW 8d COMMON NAILS @ 6" O.C. ALONG PANEL EDGES & @ 12" O.C. ALONG INTERMEDIATE SUPPORTS	FASTEN AT ALL INTERMEDIATE SUPPORTS AND PANEL EDGES AS SCHEDULED

NOTES:

- NAILS FOR ROOF AND WALL SHEATHING ARE TO BE DRIVEN TO A FLUSH CONDITION ONLY, DO NOT OVERDRIVE. PREVALENT OR SEVERE OVERDRIVING OF NAILS MAY REQUIRE REMOVAL AND REPLACEMENT OF THE SHEATHING AND/OR FRAMING MEMBERS AT THE EXPENSE OF THE CONTRACTOR, IF DEMAILED NECESSARY BY THE ENGINEER OF RECORD.
- WALL SHEATHING ATTACHMENT SHOWN IN THIS SCHEDULE IS TYPICAL FOR ALL WALLS EXCEPT SHEAR WALLS IDENTIFIED ON PLAN. SEE SHEAR WALL SCHEDULE FOR SHEATHING ATTACHMENT FOR SHEAR WALLS.

New Cornelia Branch
Southern Bank & Trust
Cornelia, Georgia

SCHMATIC DESIGN DRAWINGS
DESIGN DEVELOPMENT DRAWINGS

DATE	DESCRIPTION
04-09-2019	
04-30-2019	

PROJ. NO: 19049L
FILE NAME:
DRAWN BY: LTB
SHEET TITLE:
SHEET NUMBER: