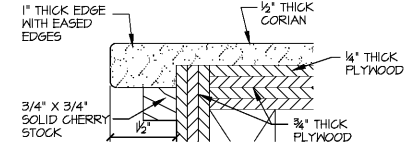
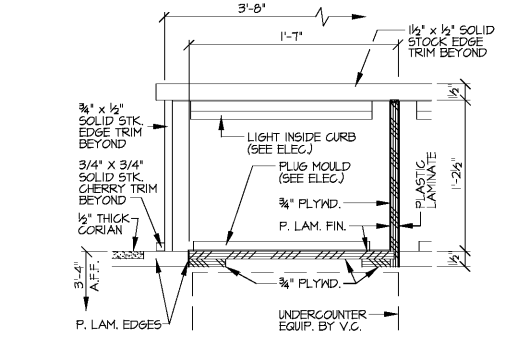


11 DETAIL A7.2 HALF SCALE

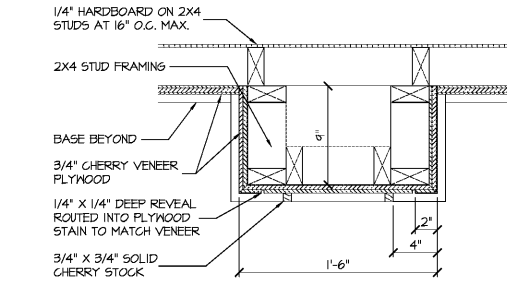


7 PROFILE OF TRIM @ COUNTER A7.2 SCALE: HALF SCALE

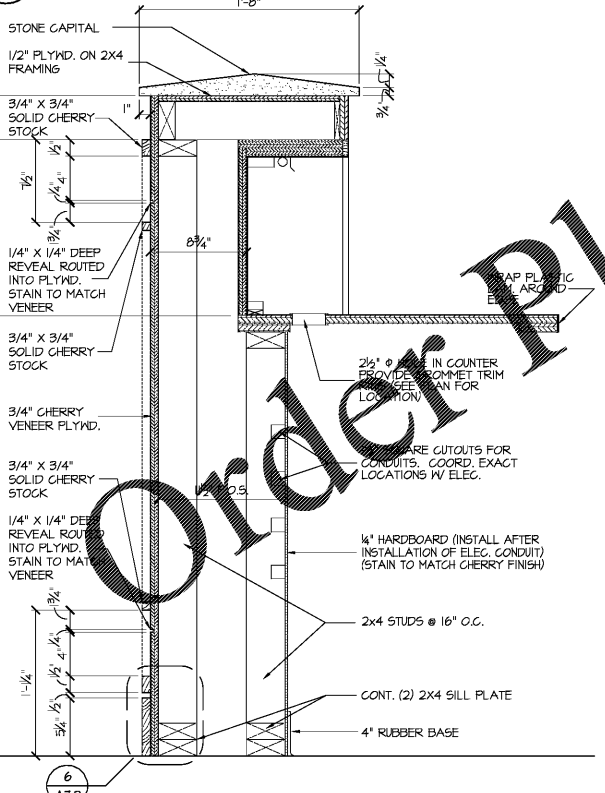
NOTE:
ALL EXPOSED SURFACES ON CHECK DESK & TELLER LINE TO BE CHERRY VENEER PLYWOOD & CHERRY SOLID STOCK & TRIM, UNLESS NOTED OTHERWISE



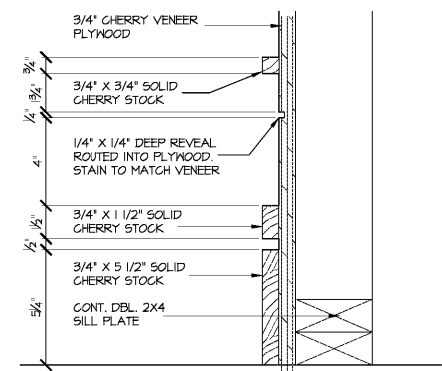
10 SECTION THRU RETURN A7.2 SCALE: 1/2" = 1'-0"



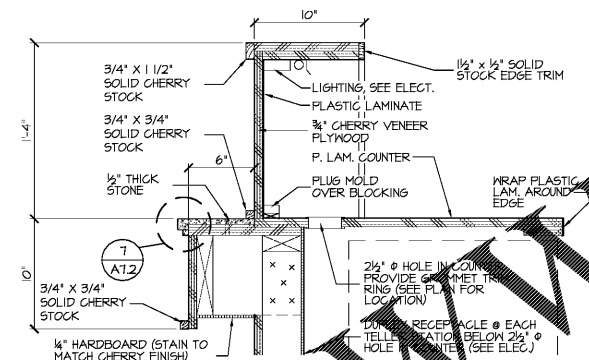
9 PLAN SECTION THRU PEDESTAL A7.2 SCALE: 1/2" = 1'-0"



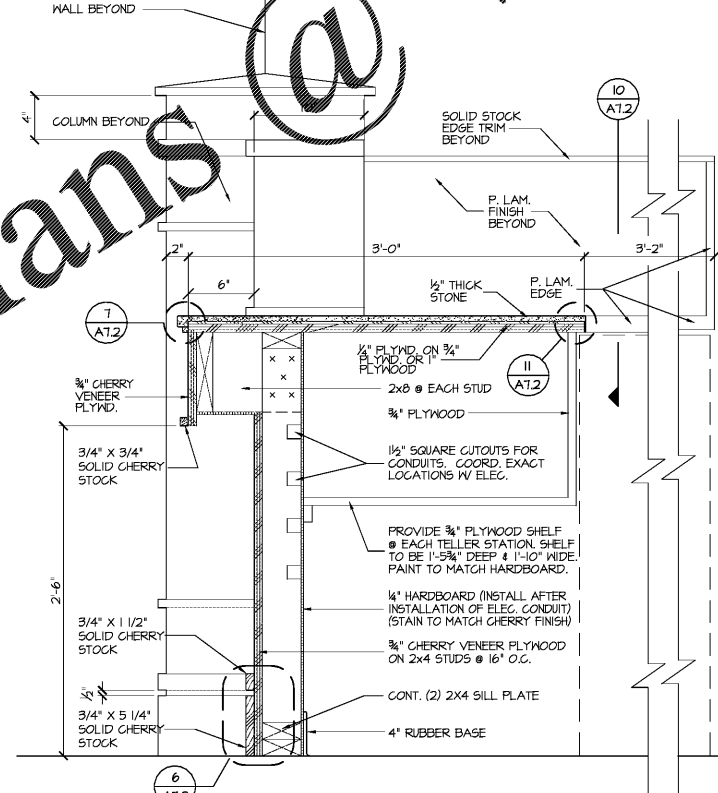
8 SECTION THRU PEDESTAL A7.2 SCALE: 1/2" = 1'-0"



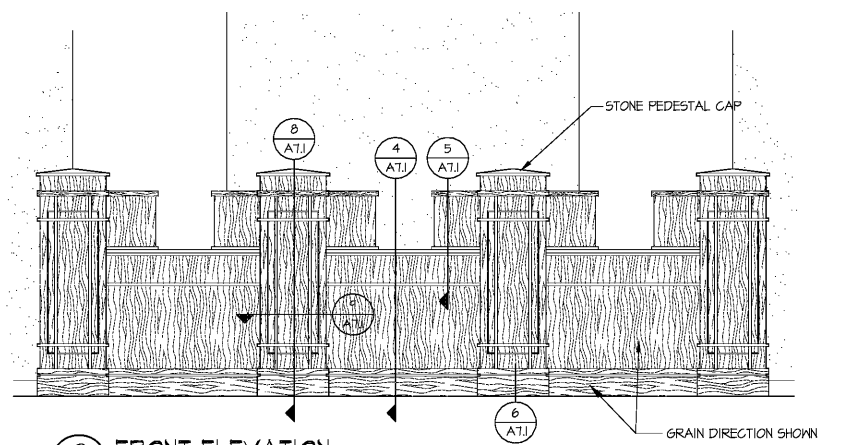
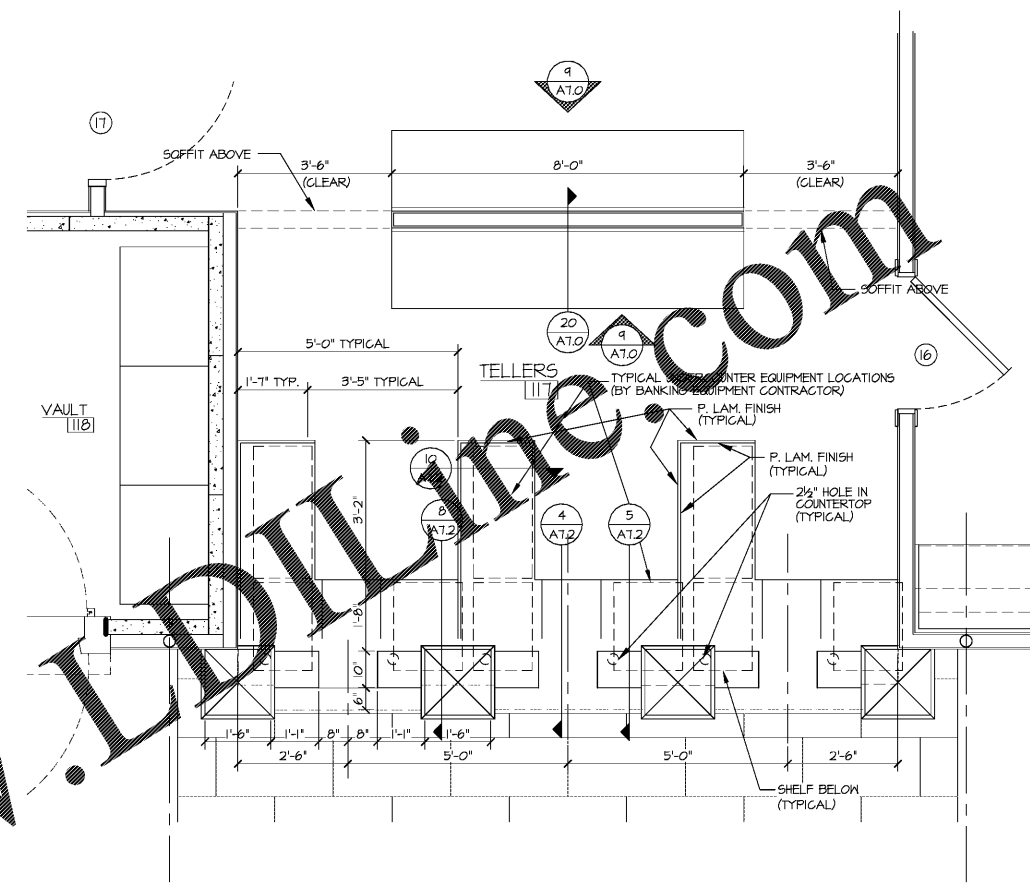
6 SECTION AT COLUMN BASE A7.2 SCALE: 3" = 1'-0"



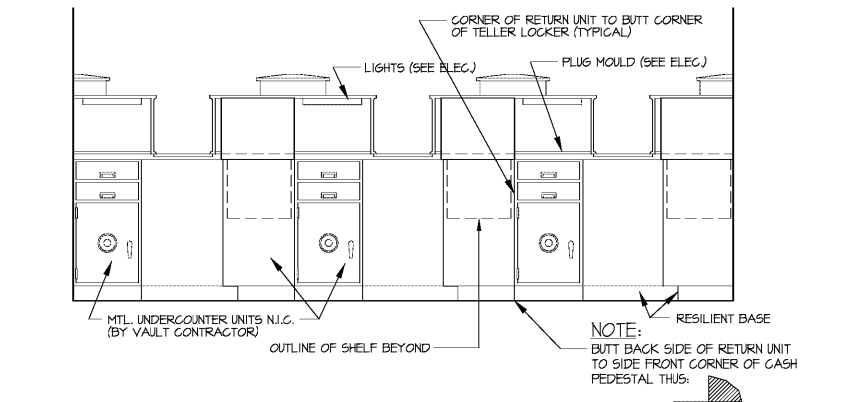
5 SECTION THRU TELLER CURB A7.2 SCALE: 1/2" = 1'-0"



4 SECTION THRU TELLER CURB A7.2 SCALE: 1/2" = 1'-0"



2 FRONT ELEVATION A7.2 SCALE: 1/2" = 1'-0"



1 REAR ELEVATION A7.1 SCALE: 1/2" = 1'-0"

Order Plans @

DATE	DESCRIPTION
04-09-2019	SCHEMATIC DESIGN DRAWINGS
04-30-2019	DESIGN DEVELOPMENT DRAWINGS
07-23-2019	CONSTRUCTION / BID DRAWINGS

PROJ. NO: G1902
FILE NAME: DWG
DRAWN BY: --
SHEET TITLE:
FIXTURE WORK TELLERS LINE
SHEET NUMBER:
A7.1