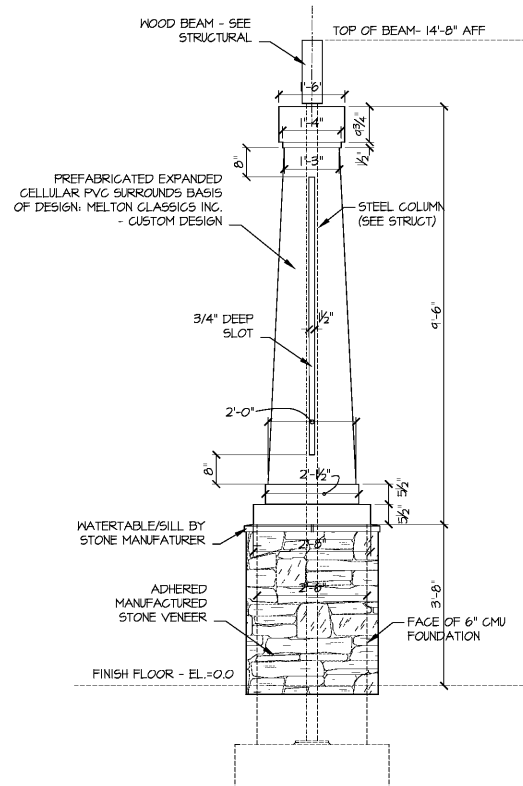
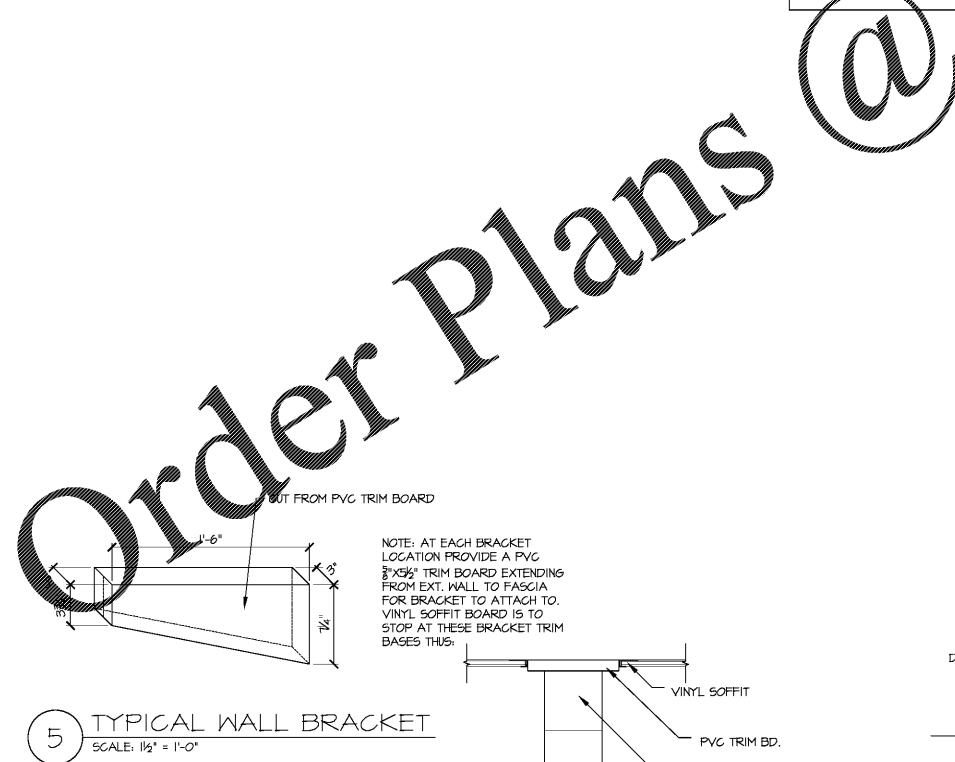


6 COLUMN AT DRIVE-UP
SCALE: 1/2" = 1'-0"

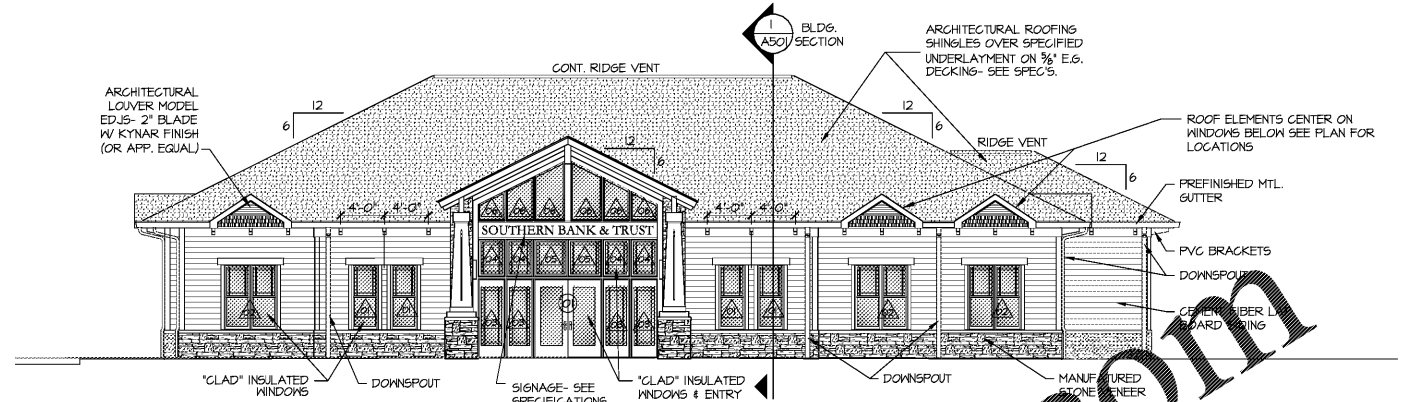


7 COLUMN AT MAIN ENTRY
SCALE: 1/2" = 1'-0"

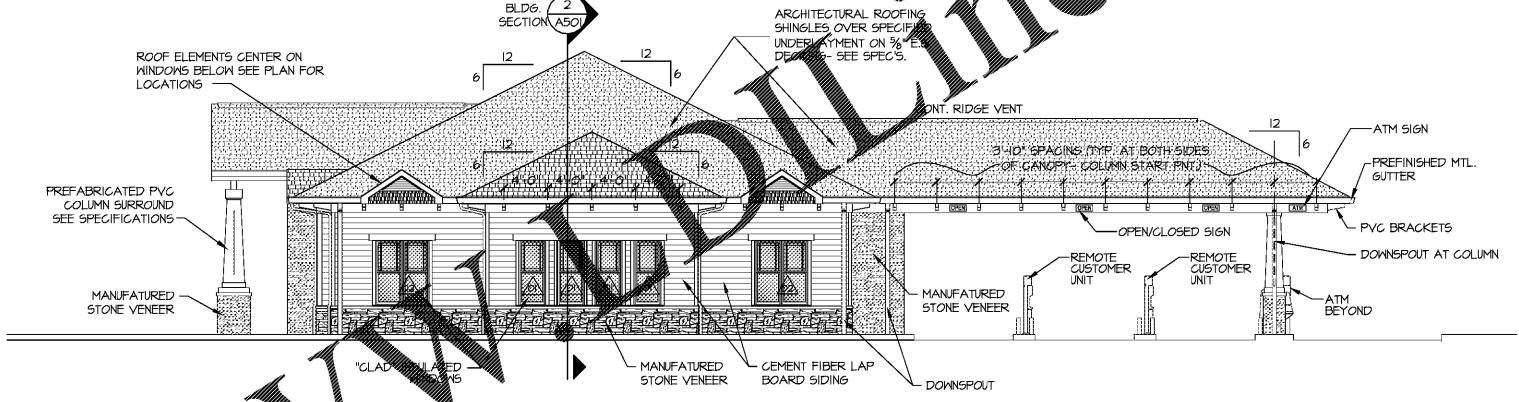


5 TYPICAL WALL BRACKET
SCALE: 1/2" = 1'-0"

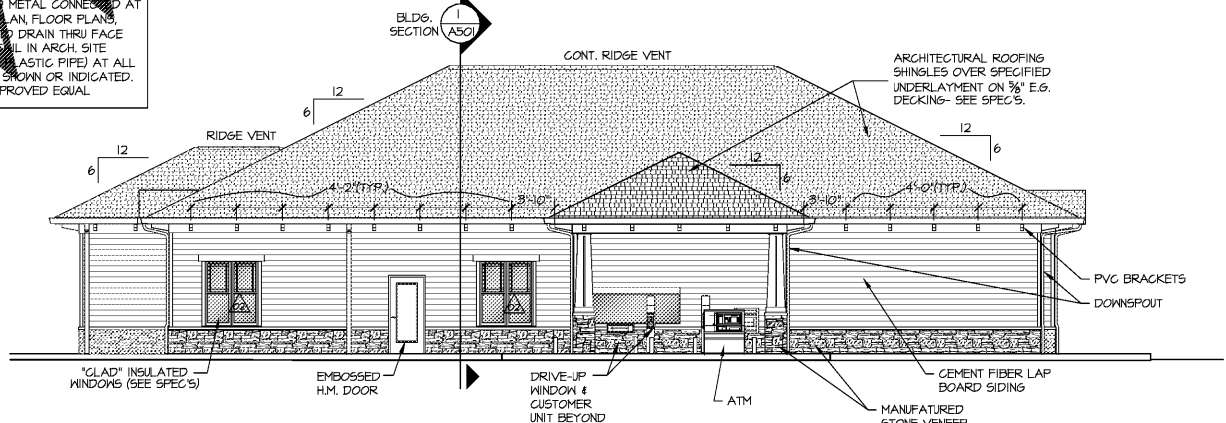
GENERAL NOTES:
DOWNPOUT:
 ALL DOWNPOUTS TO BE 3"x4" NON-RIBBATED METAL CONNECTED AT GRADE TO 4" PVC SCHEDULE 40 PIPE. SEE PLAN, FLOOR PLANS, ROOF PLANS AND ELEVATIONS FOR LOCATIONS. ALL TO DRAIN THRU FACE OF CONC. CURB - SEE DRAIN THROUGH CURB DETAIL IN ARCH. SITE DRAWING. PROVIDE D.S. ADAPTER (4" D.S. TO PLASTIC PIPE) AT ALL LOCATIONS WHERE 4" PVC UNDERGROUND PIPE IS SHOWN OR INDICATED. MANUF. BY ADVANCED DRAINAGE SYSTEMS OR APPROVED EQUAL.



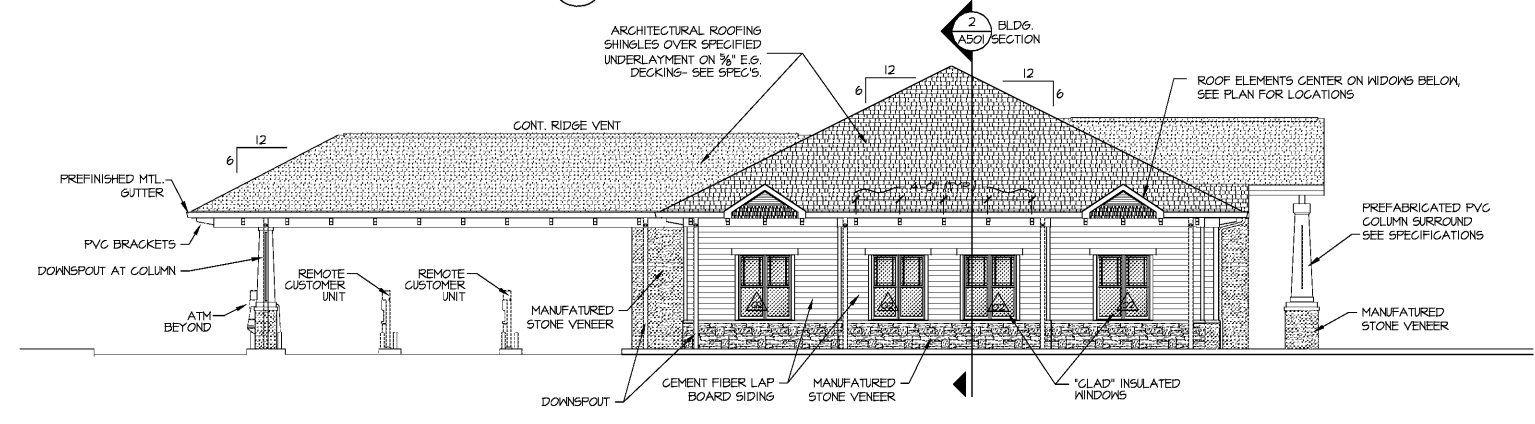
1 FRONT (SOUTHWEST) ELEVATION
SCALE: 1/8" = 1'-0"



2 SIDE (SOUTHEAST) ELEVATION
SCALE: 1/8" = 1'-0"



3 REAR (NORTHEAST) ELEVATION
SCALE: 1/8" = 1'-0"



4 SIDE (NORTHWEST) ELEVATION
SCALE: 1/8" = 1'-0"

DATE	DESCRIPTION
04-09-2019	SCHEMATIC DESIGN DRAWINGS
04-30-2019	DESIGN DEVELOPMENT DRAWINGS
07-23-2019	CONSTRUCTION / BID DRAWINGS

PROJ. NO: G1902
 FILE NAME: .DWG
 DRAWN BY: --
 SHEET TITLE:
BUILDING ELEVATIONS
 SHEET NUMBER:
A3.0