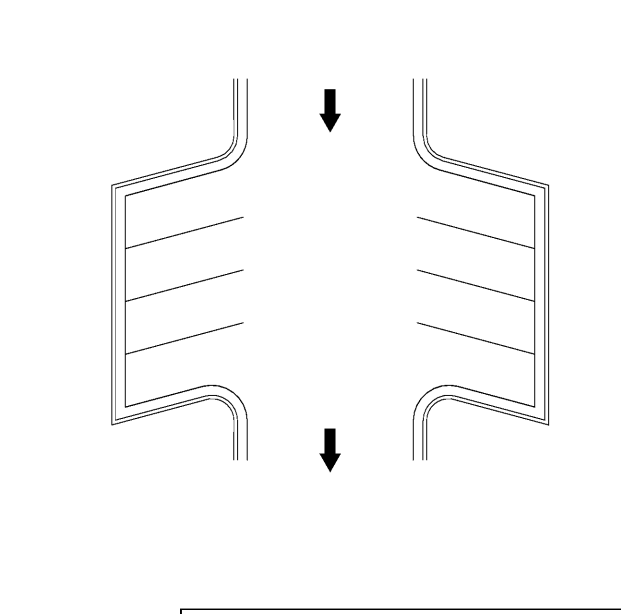
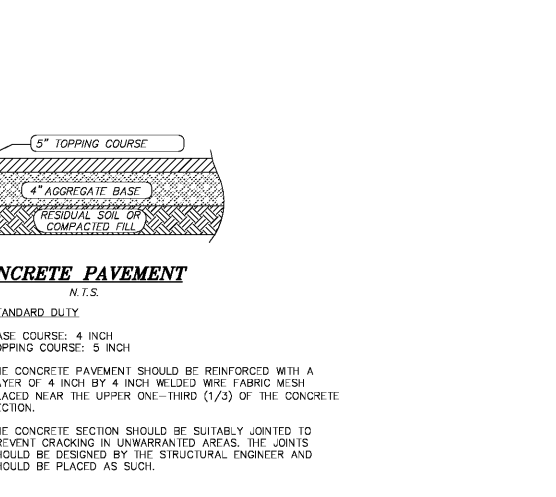
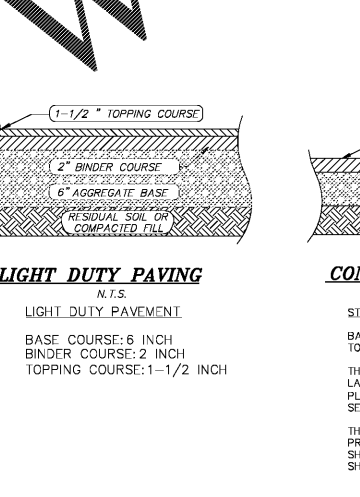
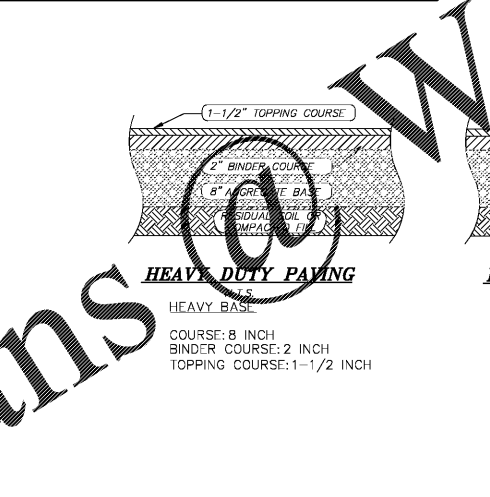
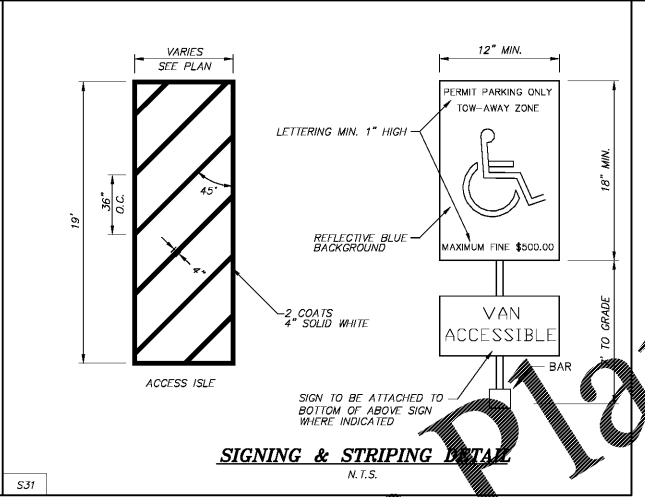
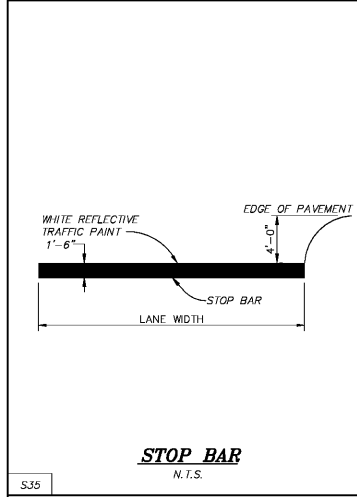
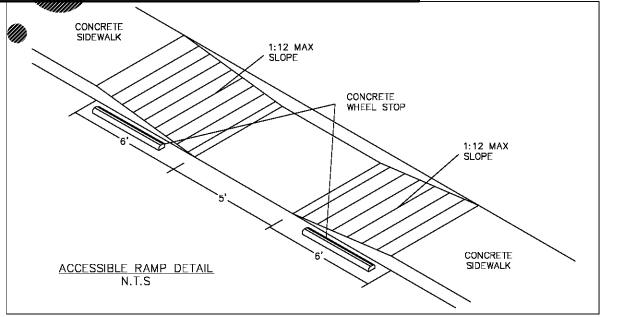


WWW.LDILine.com



**GEORGIA811**  
www.Georgia811.com  
Know what's below.  
Call before you dig.

IT IS THE CLIENT OR CONTRACTOR'S RESPONSIBILITY TO CONTACT UTILITY COMPANIES PRIOR TO ANY CONSTRUCTION AS THE LOCATION OF UTILITIES SHOWN ON THIS PLAN ARE APPROXIMATE AND POSSIBLY INCOMPLETE. THEREFORE CERTIFICATION TO THE LOCATION OF ALL UNDERGROUND UTILITIES ARE WITHHELD.

**Order Plans**

24-HOUR EMERGENCY CONTACT: SIDNEY ROLAND (706) 968-0805

REVISIONS:

PROJECT: SOUTHERN BANK & TRUST  
PROJECT ADDRESS: 218 CARPENTERS COVE LN  
PROJECT ADDRESS: CORNELIA, GA 30531  
CLIENT: SOUTHERN BANK & TRUST  
CLIENT ADDRESS: III SOUTHERN BANK DRIVE  
CLIENT ADDRESS: CLARKESVILLE, GA 30523  
DATE: 07/01/19  
DWG: PRJ1

07/01/19

**Civil Consulting Engineers, Inc.**  
www.CIVILCONSULTINGENGINEERSINC.COM  
211 E. MAIN STREET  
CANTON, GA 30114  
678-462-4072

CONSTRUCTION DETAILS