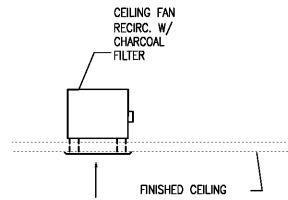


GENERAL MECHANICAL NOTES:

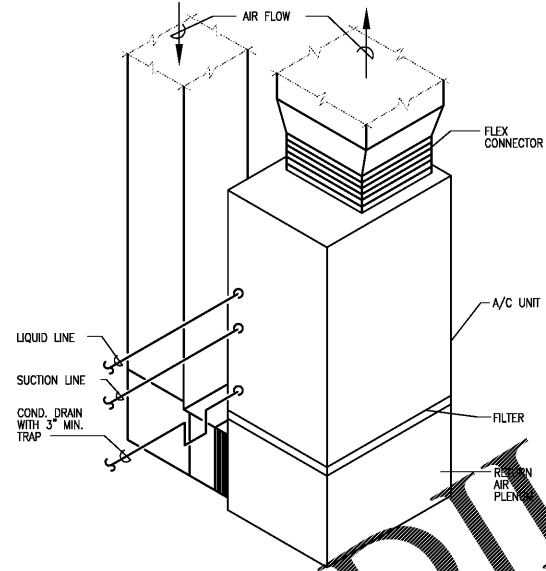
- MOUNT THERMOSTATS 48" ABOVE FINISH FLOOR TO CENTER.
- DUCTWORK AND EQUIPMENT SHOWN IS DIAGRAMMATIC. COORDINATE AND ROUTE DUCTWORK TO MEET JOB REQUIREMENTS. LOCATION OF EQUIPMENT MUST BE COORDINATED WITH ALL DISCIPLINES BEFORE FINAL LOCATIONS ARE SELECTED. WEIGHTS OF EQUIPMENT MUST BE VERIFIED AND COORDINATED WITH STRUCTURAL SYSTEMS BEFORE EQUIPMENT CAN BE INSTALLED AT JOBSITE.
- SPACE ALLOCATED FOR MECHANICAL AND OTHER WORK ABOVE THE SUSPENDED CEILING IS CRITICAL. LIGHT FIXTURES AND AIR DIFFUSERS HAVE BEEN LOCATED TO ACHIEVE A DEFINITE ARCHITECTURAL EFFECT AND MAY NOT BE CHANGED WITHOUT THE CONSENT OF THE ARCHITECT. BECOME FAMILIAR WITH THE ARCHITECTURAL, STRUCTURAL, MECHANICAL AND ELECTRICAL DRAWINGS PRIOR TO FABRICATING AND INSTALLING ANY MATERIALS. HANG DUCTWORK AS CLOSE AS POSSIBLE TO THE STRUCTURE ABOVE, UNLESS INDICATED OTHERWISE.
- WHERE THE SPACE ABOVE THE SUSPENDED CEILING IS USED AS A RETURN AIR PLENUM, COORDINATE THE WORK OF OTHER TRADES TO PROVIDE ADEQUATE SPACE FOR THE FLOW OF RETURN AIR (250 FPM MAXIMUM VELOCITY). WHERE PARTITIONS ARE EXTENDED TO THE STRUCTURE ABOVE, PROVIDE OPENINGS IN THE PARTITIONS ABOVE THE CEILING.
- ALL FIRE DAMPERS TO BE RATED AT 1-1/2 HOURS UNLESS INDICATED OTHERWISE. USE "B" FRAME FIRE DAMPERS FOR DAMPERS CONNECTED TO DUCTWORK. COORDINATE WITH THE ARCHITECTURAL PLANS FOR FIRE RATED ASSEMBLY RATINGS. PROVIDE DAMPERS AS REQUIRED.
- SIZE REFRIGERANT PIPING PER MANUFACTURERS RECOMMENDATIONS FOR ACTUAL LINE LENGTHS AND VERTICAL LIFT REQUIRED.
- LOCATE CEILING DIFFUSERS, REGISTERS AND GRILLES AS SHOWN ON THE ARCHITECTURAL REFLECTED CEILING PLANS.
- FLEXIBLE RUNOUTS TO BE SAME SIZE AS DIFFUSER NECK. REFER TO DIFFUSER SCHEDULE.

HVAC SYMBOLS AND ABBREV.

	SUPPLY AIR DUCT UP/DOWN
	RETURN/EXHAUST AIR DUCT UP/DOWN
	VOLUME DAMPER
	SUPPLY DIFFUSER
	RETURN OR EXHAUST GRILLE
	THERMOSTAT
	DIFFUSER DESIGNATION
	REFERENCE NOTE
	ABOVE FINISHED FLOOR
CFM	CUBIC FEET PER MINUTE
DIA.	DIAMETER
DG	DOOR GRILL
EF-A	EXHAUST FAN
FCU-A	FAN COIL UNIT
FD	FIRE DAMPER
GA	GAUGE
GPM	GALLONS PER MINUTE
OA	OUTSIDE AIR
UH-A	UNIT HEATER
VD	VOLUME DAMPER



2 T P CEILING REGISTER FAN DETAIL
SCALE: NO SCALE



1 VERTICAL FAN COIL UNIT DETAIL
SCALE: NO SCALE

HEAT PUMP SYSTEM SCHEDULE

UNIT	FCU				CONDENSER				BASIS OF DESIGN CARRIER		NOTES	
	TOTAL CFM	O.A. CFM	E.S.P. (IN W.G.)	MOTOR HP	AUX. HEAT OUTPUT (KW)	ELECTRICAL VOLTS/PH	TOTAL (MBH)	SENSIBLE (MBH)	HTG. @17 (MBH)	MIN. SEER		ELECTRICAL VOLTS/PH
FCU/HP-1	1000	300	0.5	1/3	7.5	208V, 1 PH.	27.6	21.5	18.1	13.0	208V, 1 PH.	FY4ANF030 25HPA430A30 1 THRU 6
FCU/HP-2	1000	300	0.5	1/3	7.5	208V, 1 PH.	27.6	21.5	18.1	13.0	208V, 1 PH.	FY4ANF030 25HPA430A30 1 THRU 6
FCU/HP-3	1200	360	0.4		0.0	208V, 1 PH.	35.4	26.5	28.4	13.0	208V, 1 PH.	FY4AF036 25HPA436A30 1 THRU 6
FCU/HP-4	1200	360	0.4		0.0	208V, 1 PH.	35.4	26.5	28.4	13.0	208V, 1 PH.	FY4AF036 25HPA436A30 1 THRU 6
FCU/HP-5	1200	360	0.4		0.0	208V, 1 PH.	35.4	26.5	28.4	13.0	208V, 1 PH.	FY4AF036 25HPA436A30 1 THRU 6

- NOTES:
- PROVIDE HONEYWELL WIFI #RTH9580WF NETWORK THERMOSTAT COMPATIBLE WITH SYSTEM.
 - FAN COIL UNIT SHALL COME COMPLETE WITH INTEGRAL CONTROL BOARD, INSULATED CABINET, FAN AND MOTOR AND COIL.
 - PROVIDE RETURN AIR PLENUM FOR CONNECTION OF RETURN AIR DUCT.
 - PROVIDE ALIC DRAIN PAN WITH PRIMARY CONDENSATE DRAIN ROUTED TO FLOOR DRAINS AND ONTO GRADE, PROVIDE CONDENSATE PUMP WHERE REQUIRED.
 - TIME OFF CONTROLS FOR CONDENSING UNIT AND LOW AMBIENT KIT.
 - FAN COIL UNIT TO BE IN A VERTICAL POSITION.

EXHAUST FAN SCHEDULE

UNIT NO.	SERVICE	MANUF. & MODEL	CFM	WATTS	S.P.	VOLTS - PH	NOTES
EF-1	MEN, WOMEN TOILETS	BROAN 682	75	49	0.25"	120 - 1Ø	1, 2
EF-2	ELEVATOR	BROAN QTXE1101150DC	150	49	0.25"	120 - 1Ø	1, 2

NOTES:
1. WALL CAP
2. CIRCUIT WITH LIGHTS

DIFFUSER SCHEDULE

MARK	TYPE	FACE	BASIS OF DESIGN
A	SUPPLY	2 x 2	TITUS TMS
B	SUPPLY	1 x 1	TITUS TMS
C	RETURN	AS SHOWN	TITUS 50F

1. DIFFUSER FRAME TYPES SHALL BE COMPATIBLE WITH ARCHITECTURAL CEILING TYPES IN WHICH IT IS INSTALLED.
2. ALL TO BE OFF-WHITE FINISH, UNLESS NOTED OTHERWISE.

Order Plans @ www.LDIDLine.com



SEAL 07/09/2019

TRINITY ENGINEERING GROUP INC.

1081 THOMPSON BRIDGE RD
GAINESVILLE, GA 30501
TEL: (770) 535-1044
FAX: (770) 535-0037

CONSULTANT



HLH H. LLOYD HILL ARCHITECTS & ASSOCIATES, INC.

736 GREEN STREET
GAINESVILLE, GA 30501
(770) 534-8404

ARCHITECT

OWNERSHIP OF DOCUMENTS:
DRAWINGS AND SPECIFICATIONS AS INSTRUMENTS OF SERVICE ARE EXCLUSIVE PROPERTY OF TRINITY ENGINEERING GROUP INC. WHETHER THE PROJECT FOR WHICH THEY WERE PREPARED IS EXECUTED & CONSTRUCTED OR NOT, THESE DOCUMENTS ARE NOT TO BE REPRODUCED IN ANY FORM AND ARE NOT TO BE USED BY THE PROJECT OWNER NOR ANY OTHER ENTITY ON OTHER PROJECTS OR FOR ANY EXTENSIONS OR ADDITIONS OR ALTERATIONS TO THE ORIGINAL PROJECT EXCEPT BY WRITTEN AUTHORIZATION & PERMISSION FROM AND AGREEMENT WITH TRINITY ENGINEERING GROUP INC.

NEST FEATHERS
3621 MUNDY MILL ROAD
OAKWOOD, GEORGIA

SCHEDULES, NOTES AND DETAILS

REVISION / ISSUE

JOB NUMBER

2018-103

DRAWN

--

DATE

07/09/2019

SHEET

M0.1