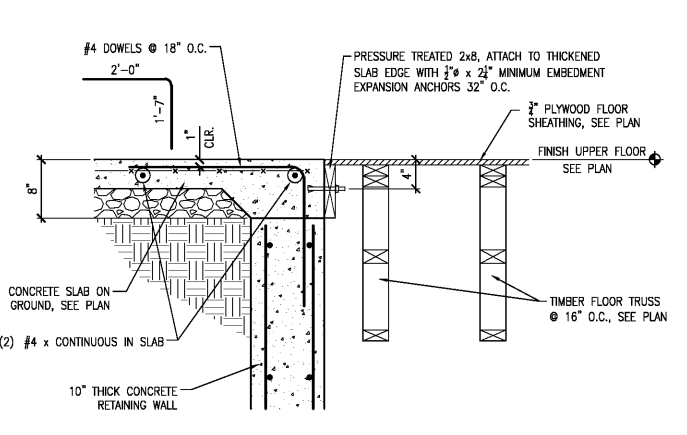
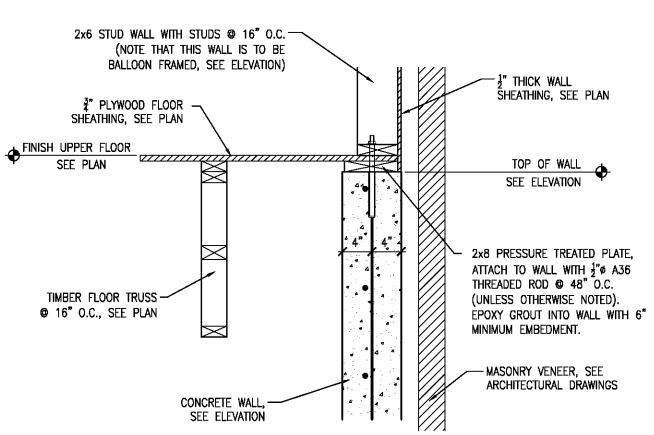


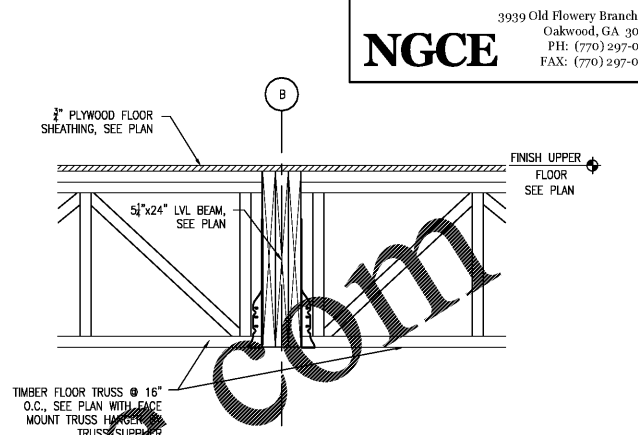
1 FLOOR SECTION @ FRONT & REAR WALLS  
S400 SCALE: 1" = 1'-0"



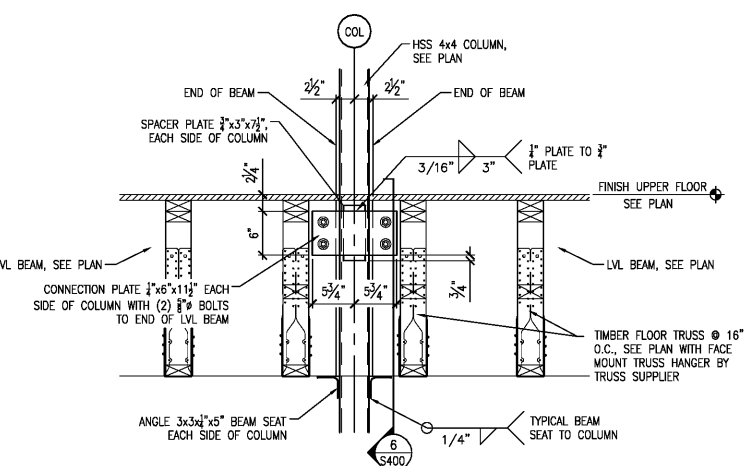
2 FLOOR SECTION @ RETAINING WALL/TIMBER FLOOR  
S400 SCALE: 1" = 1'-0"



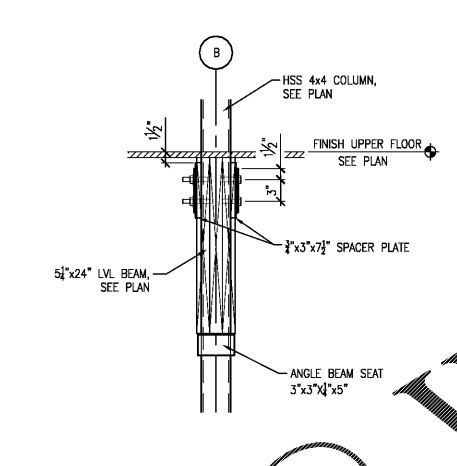
3 FLOOR SECTION @ GABLE END WALL  
S400 SCALE: 1" = 1'-0"



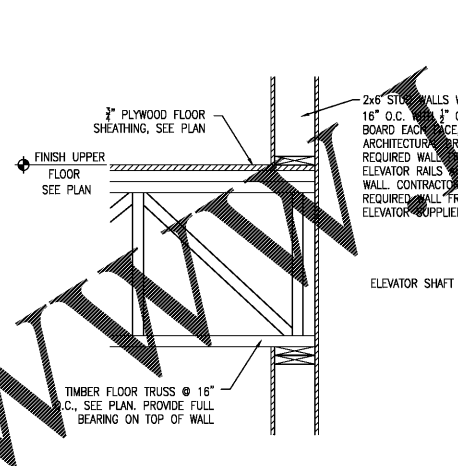
4 FLOOR SECTION @ INTERIOR BEAM  
S400 SCALE: 1" = 1'-0"



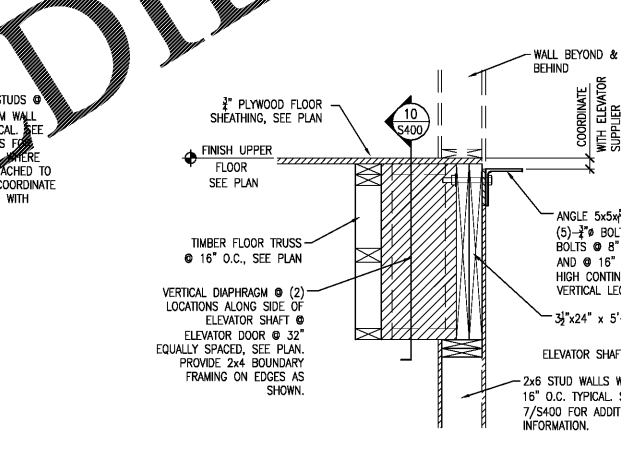
5 FLOOR SECTION @ INTERIOR COLUMN  
S400 SCALE: 1" = 1'-0"



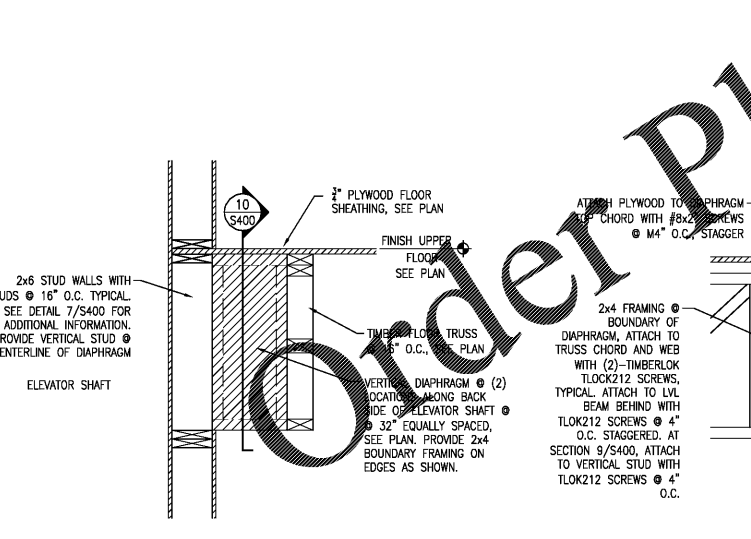
6 FLOOR SECTION @ INTERIOR COLUMN  
S400 SCALE: 1" = 1'-0"



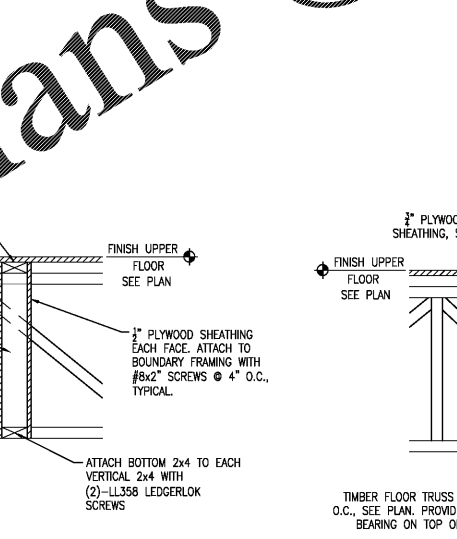
7 FLOOR SECTION @ ELEVATOR  
S400 SCALE: 1" = 1'-0"



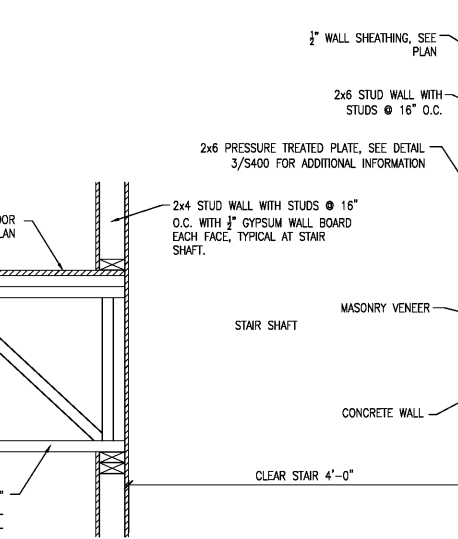
8 FLOOR SECTION @ ELEVATOR  
S400 SCALE: 1" = 1'-0"



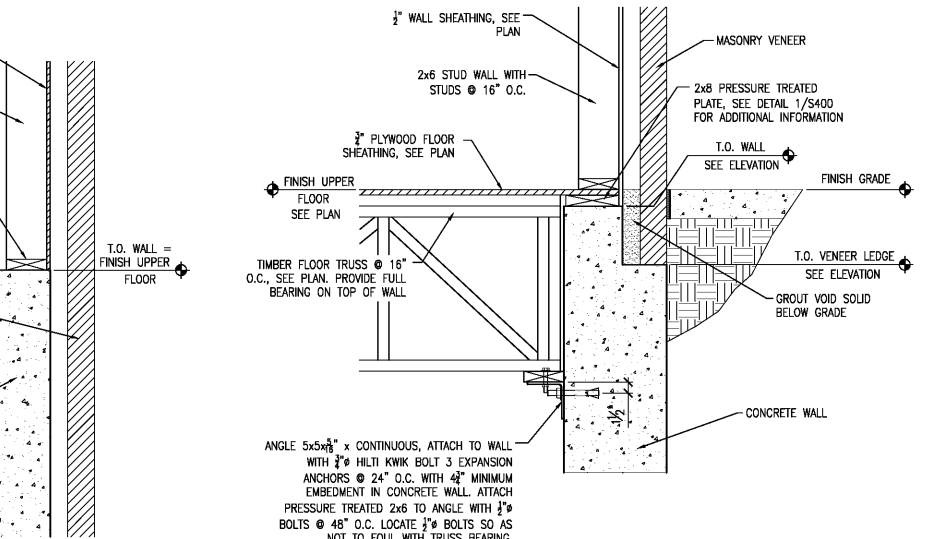
9 FLOOR SECTION @ ELEVATOR  
S400 SCALE: 1" = 1'-0"



10 VERTICAL DIAPHRAGM SECTION  
S400 SCALE: 1" = 1'-0"



11 FLOOR SECTION @ STAIR SHAFT  
S400 SCALE: 1" = 1'-0"



12 FLOOR SECTION @ HIGHER FINISHED GRADE  
S400 SCALE: 1" = 1'-0"

NEST FEATHERS  
ADDITION  
3621 Munday Mill Road  
Oakwood, GA 30566  
COPYRIGHT © 2018 H. LLOYD HILL ARCHITECTS AND ASSOCIATES, INC.

NO.	DATE	DESCRIPTION
1000-118		SCHEMATIC DESIGN
1		
2		
3		
4		
5		
6		
7		
8		
9		
10		
11		
12		
13		
14		
15		
16		
17		
18		
19		
20		
21		
22		
23		
24		
25		
26		
27		
28		
29		
30		
31		
32		
33		
34		
35		
36		
37		
38		
39		
40		
41		
42		
43		
44		
45		
46		
47		
48		
49		
50		
51		
52		
53		
54		
55		
56		
57		
58		
59		
60		
61		
62		
63		
64		
65		
66		
67		
68		
69		
70		
71		
72		
73		
74		
75		
76		
77		
78		
79		
80		
81		
82		
83		
84		
85		
86		
87		
88		
89		
90		
91		
92		
93		
94		
95		
96		
97		
98		
99		
100		