



HLH
H. LLOYD HILL
ARCHITECTS
& ASSOCIATES, INC.
736 GREEN STREET
GAINESVILLE, GA 30501
(770) 534-8404



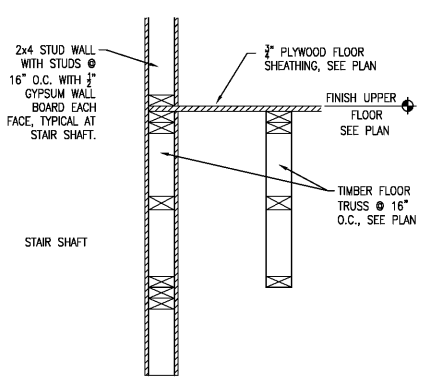
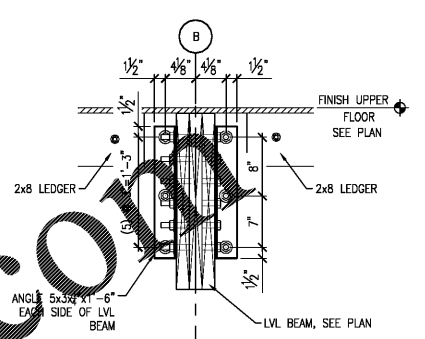
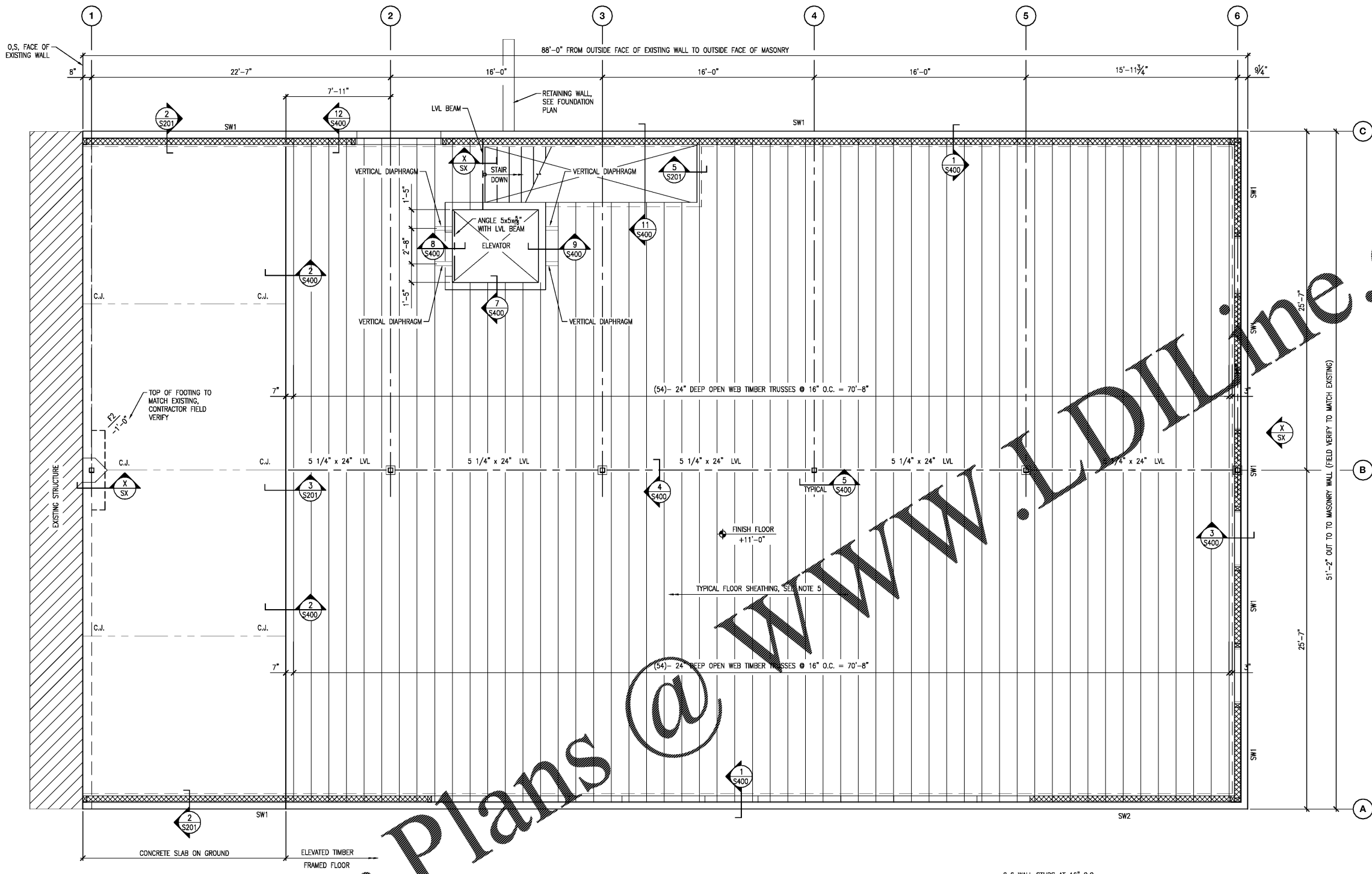
**NEST FEATHERS
ADDITION**
3621 Munday Mill Road
Oakwood, GA 30566
COPYRIGHT © 2018 H. LLOYD HILL ARCHITECTS AND ASSOCIATES, INC.

**ER L R
RAMING LAN**

MARK	DATE	DESCRIPTION

1000-HIB	SCHEMATIC DESIGN

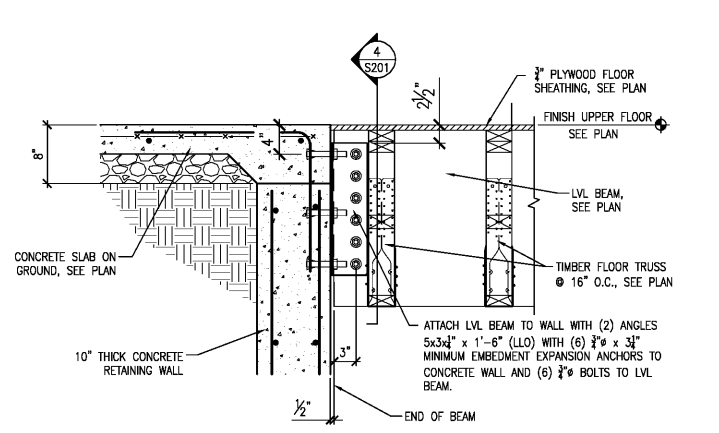
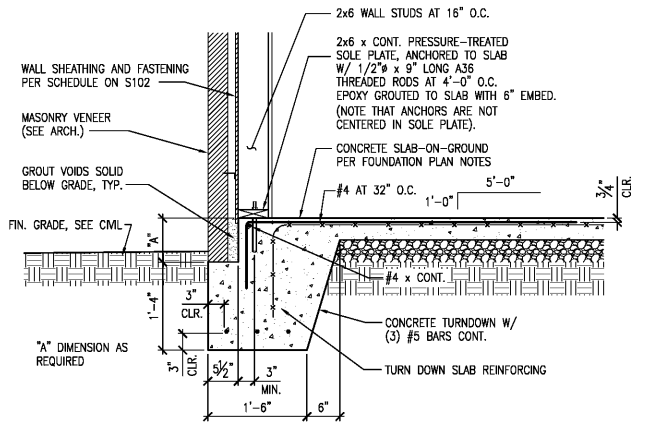
FILE NAME	DATE	DESCRIPTION



- FLOOR FRAMING PLAN NOTES:**
- SEE SHEET S100 FOR GENERAL NOTES. FOR CONCRETE SLAB AND FOUNDATION, SEE PLAN NOTES SHEET S200.
 - FINISH FLOOR ELEVATION = TOP OF CONCRETE SLAB OR FLOOR SHEATHING RELATIVE TO FINISH BASEMENT FLOOR ELEVATION 0'-0".
 - FLOOR TRUSS BEARING ELEVATION (TBE) PLAN = 8'-11" ± FROM FINISH LOWER FLOOR ELEVATION 0'-0". FLOOR TRUSSES TO HAVE A DOUBLE VERTICAL WEB END BEARING TYPICAL UNLESS NOTED OTHERWISE.
 - STAIRS TO BE TIMBER FRAMED, SEE DETAIL X/SX FOR TYPICAL STAIR CONSTRUCTION.
 - FLOOR SHEATHING TO BE 3/4" PLYWOOD S-1 GRADE STRESS LEVEL, GLUED AND SCREWED TO FRAMING WITH #8 x 2" SCREWS @ 12" O.C., TYPICAL.
 - "SWX" ON PLAN INDICATES A TIMBER SHEAR WALL, SEE SHEAR WALL NOTES AND SCHEDULE ON SHEET S102 FOR ADDITIONAL DETAILS.

FLOOR DEAD LOADING:

3/4" SHEATHING	=	3 psf
FLOOR TRUSSES	=	4 psf
FLOORING	=	3 psf
CEILING	=	3 psf
MECH./ELEC./FIRE PROT./MISC.	=	3 psf
TOTAL		16 psf



1 UPPER FLOOR FRAMING PLAN
S201 SCALE: 1/4" = 1'-0"



2 TYPICAL EXTERIOR WALL SECTION
S201 SCALE: 3/4" = 1'-0"

3 FLOOR SECTION @ BEAM CONNECTION TO RETAINING WALL
S201 SCALE: 1" = 1'-0"

Order Plans @

WWW.LDILLINE.COM