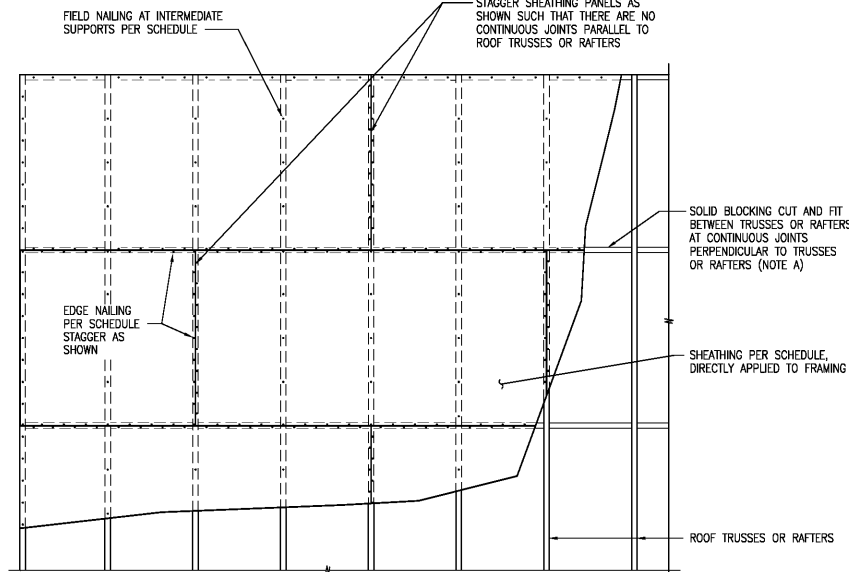
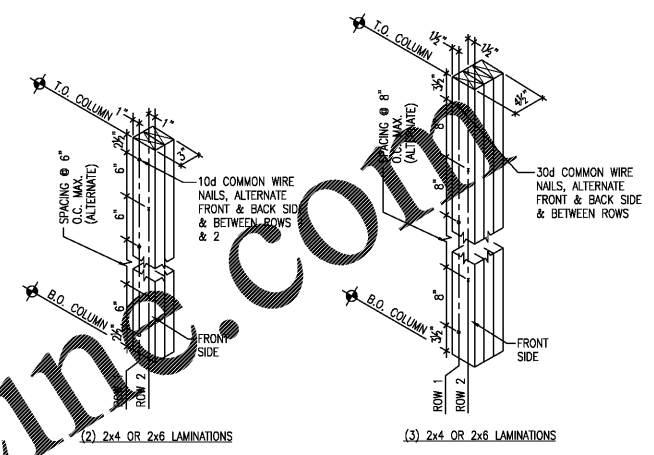


1 TYPICAL SHEARWALL ELEVATION
S0.3 SCALE: N.T.S.



2 TYPICAL ROOF SHEATHING NAILING
S0.3 SCALE: N.T.S.



3 MECHANICALLY LAMINATED BUILT-UP COLUMNS
S0.3 SCALE: N.T.S.

NOTE A:
WHERE HOLD-DOWN OCCURS IN WALL ALONG GRIDS A & C AT FLOOR FRAMING ON TOP OF WALL, SEE DETAIL X/SX FOR HOLD-DOWN DETAIL.

NOTE A:
THIS BLOCKING AND PANEL ATTACHMENT IS ONLY REQUIRED FOR FULLY BLOCKED ROOF DIAPHRAGMS WHERE INDICATED ON PLAN.

o - REPRESENTS NAIL DRIVEN FROM FRONT SIDE (NAIL INTO PAGE)
x - REPRESENTS NAIL DRIVEN FROM BACK SIDE (NAIL OUT OF PAGE)

TYPICAL SHEAR WALL NOTES

GENERAL CONSTRUCTION NOTES:

- SEE SCHEDULE FOR GRADE OF STUDS AND PLATES TO BE USED TO FRAME THE WALL.
- PROVIDE SINGLE PRESSURE TREATED PLATE AT BOTTOM OF WALL AND DOUBLE PLATE AT TOP OF WALL.
- FASTENERS SHALL BE 12" 16 GAGE STAPLES OR 8d NAILS SHALL BE A MINIMUM PENETRATION INTO FRAMING OF 1".
- FASTENERS ALONG PANEL EDGES IN SHEAR PANELS SHALL BE PLACED IN FORM PANEL EDGES NOT LESS THAN 8".
- PANEL THICKNESSES SHOWN SHALL BE MINIMUMS.
- PANELS LESS THAN 12" WIDE SHALL NOT BE USED.
- MAXIMUM SPACING FRAMING SPACING SHALL BE 24" O.C.
- STAPLES SHALL HAVE A 1/8" MINIMUM CROWN, AND SHALL BE INSTALLED WITH THEIR CROWNS PARALLEL TO THE LONG DIMENSION OF THE FRAMING MEMBERS

WOOD STRUCTURAL PANEL SHEATHING:

- WOOD STRUCTURAL PANELS SHALL BE FIRE RESISTANT (SEE ARCHITECTURAL DRAWINGS) AND SHALL BE MANUFACTURED USING EXTERIOR GLUE AND SHALL COMPLY WITH DOC PS1 OR PS2.
- STRUCTURAL PANELS SHALL BE PERMITTED TO BE APPLIED EITHER PARALLEL OR PERPENDICULAR TO FRAMING.
- WOOD STRUCTURAL PANELS SHALL BE ATTACHED TO STEEL FRAMING WITH A MINIMUM No.8 TAPPING SCREWS WITH A MINIMUM HEAD DIAMETER OF 0.285 INCHES OR No.10 TAPPING SCREWS WITH A MINIMUM HEAD DIAMETER OF 0.333 INCHES, IN ACCORDANCE WITH SHEAR WALL SCHEDULE
- SCREWS USED TO ATTACH WOOD STRUCTURAL PANEL SHEATHING SHALL BE IN ACCORDANCE WITH ASTM C1513.
- ALL STRUCTURAL WOOD SHEATHING SHALL BE 3/4" STRUCTURAL 1 SHEATHING (4 PLY).

SHEAR WALL SCHEDULE

MARK	WALL LENGTH	PANEL SHEATHING	FASTENER SPACING	HOLD DOWN	ANCHOR BOLT	FRAMING GRADE	INTERMEDIATE ANCHORS	COMMENTS
SW1	20'-8"	PLYWOOD ONE FACE	6" O.C.	HOU2-SDS2.5	SSTB16	SP No.2	No.2	NOTE 2
SW2	13'-2"	PLYWOOD ONE FACE	4" O.C.	HOU2-SDS2.5	SSTB16	SP No.2	No.2	NOTES 6 & 7
SW3	70'-8 3/4"	PLYWOOD ONE FACE	6" O.C.			SPF No.1/No.2	SPF No.1/No.2	

- NOTES:**
- WALL LENGTHS SHOWN ABOVE ARE NOMINAL WALL LENGTHS, ACTUAL WALL LENGTHS VARY SLIGHTLY.
 - ALL SHEAR WALLS SHALL BE FRAMED 2x6 STUDS WITH A MAXIMUM SPACING OF 16" SEE SCHEDULE GRADE OF FRAMING.
 - WHERE "PANEL SHEATHING" IS NOTED ABOVE, IT APPLIES TO THE STRUCTURAL SHEATHING AND ITS ATTACHMENT, NOT TO INTERIOR FINISH SHEATHING, UNLESS OTHERWISE SPECIFICALLY NOTED.
 - "FASTENER SPACING" IN SCHEDULE INDICATES FASTENING AT PANEL EDGES AND INTERMEDIATE EDGES OF WALL.
 - FOR SHEAR WALLS WITH WOOD STRUCTURAL PANELS (PLYWOOD), THE SPACING OF SCREWS IN FIELD OF PANELS SHALL BE 12" O.C..
 - WHERE A STEEL COLUMN OCCURS AT THE END OF THE SHEAR WALL, IT SHALL BE FASTENED DIRECTLY TO THE STEEL COLUMN WITH 12-24x1/2" HHW TEKS/4.5 SCREWS @ 12" O.C. FULL HEIGHT OF COLUMN UNLESS OTHERWISE NOTED, AND PANEL EDGE FASTENING SHALL BE TO THIS STUD.
 - WHERE A STEEL COLUMN DOES NOT OCCUR AT THE END OF SHEAR WALL, IF SCHEDULED, PROVIDE A SIMPSON STRONG TIE HOLD-DOWN, FASTENED TO 4x6 POST, AND SIMPSON STRONG TIE ANCHOR BOLT TO FOUNDATION AS SCHEDULED.
 - ALL SHEAR WALLS IN THIS SCHEDULE EXTEND TO FINISH UPPER FLOOR TO TRUSS BEARING ELEVATION OR TOP OF GABLE END WALLS AS APPLICABLE.
 - ALL SHEAR WALLS SHALL BE FULLY BLOCKED AT PANEL EDGES WITH 2x4 FRAMING MATCHING GRADE OF WALL FRAMING.
 - ALL INTERMEDIATE ANCHORS SHALL BE 3/8" A36 ROD WITH WASHER AND NUT, EPOXY GROUTED INTO CONCRETE WITH 6" MINIMUM EMBEDMENT, TYPICAL.

MASONRY LINTEL SCHEDULE

SPAN	FOR EACH 4" OF THICKNESS
UP TO 2'-0"	1 - 2 5/16 x 3 1/2 (FLAT)
2'-1" TO 5'-0"	1 - L 1/2 x 3 1/2 x 5/16
5'-1" TO 6'-0"	1 - L 1/2 x 3 1/2 x 5/16 (LLV)
6'-1" TO 7'-0"	1 - L 5/8 x 3 1/2 x 5/16 (LLV)
7'-1" TO 8'-0"	1 - L 6 x 3 1/2 x 5/16 (LLV)

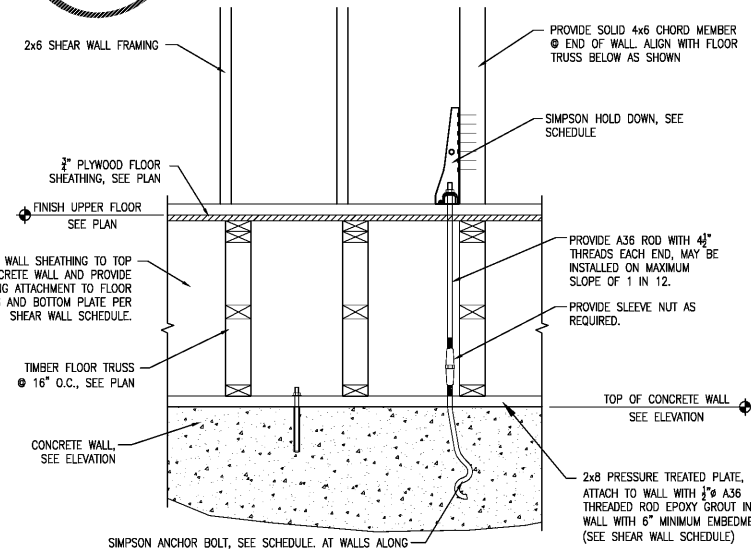
NOTES:

- REFER TO ARCHITECTURAL DRAWINGS FOR SIZE AND LOCATION OF OPENINGS.
- PROVIDE 2" OF BEARING ON EACH JAMB FOR EACH FOOT OF CLEAR SPAN, BUT NOT LESS THAN 6".
- WHERE MINIMUM BEARING CANNOT BE ACHIEVED, PROVIDE ADEQUATE CONNECTION TO ADJACENT STRUCTURAL MEMBERS OR PROVIDE SEPARATE VERTICAL SUPPORTS. WHERE NOT DETAILED, SUBMIT DETAILS FOR ENGINEER APPROVAL.
- ALL LINTELS SHALL BE HOT-DIPPED GALVANIZED AFTER FABRICATION.
- FOR MASONRY OPENINGS GREATER THAN 8'-0", REFER TO DETAILS ON DRAWINGS OR REQUEST INFORMATION FROM ENGINEER.
- BLOCK HEIGHTS OVER OPENINGS GREATER THAN ONE HALF THE LINTEL SPAN SHALL BE SPOURED UNTIL MORTAR HAS SET AND CURED.
- USE FOR RUNNING BOND ONLY.

TYPICAL WOOD FRAMING FASTENING SCHEDULE

TYPE OF CONNECTION	FASTENER TYPE & SPACING	LOCATION OF & TYPE OF FASTENING
SOLE PLATE TO JOIST OR BLOCKING	16d NAILS @ 16" O.C. 3" x 0.131" NAILS @ 8" O.C. 3" 14 GAGE STAPLES @ 12" O.C.	TYPICAL FACE NAIL
TOP PLATE TO STUD	(2) 16d COMMON NAILS (3) 3" x 0.131" NAILS (3) 3" 14 GAGE STAPLES	END NAIL
STUD TO SOLE PLATE	(4) 8d COMMON NAILS (4) 3" x 0.131" NAILS (3) 3" 14 GAGE STAPLES	TOENAIL
DOUBLE STUDS	(2) 16d COMMON NAILS (3) 3" x 0.131" NAILS (3) 3" 14 GAGE STAPLES	END NAIL
DOUBLE TOP PLATES	16d NAILS @ 24" O.C. 3" x 0.131" NAILS @ 8" O.C. 3" 14 GAGE STAPLES @ 12" O.C.	FACE NAIL
RIM JOIST TO TOP PLATE	(8) 16d COMMON NAILS (12) 3" x 0.131" NAILS (12) 3" 14 GAGE STAPLES	LAP SPLICE
TOP PLATES, LAPS & INTERSECTIONS	8d COMMON NAILS AT 6" O.C. 3" x 0.131" NAILS @ 24" O.C. 3" 14 GAGE STAPLES AT 6" O.C.	TOENAIL
CONTINUOUS HEADER, TWO PIECES	(2) 16d COMMON NAILS (3) 3" x 0.131" NAILS (3) 3" 14 GAGE STAPLES	FACE NAIL
CONTINUOUS HEADER TO STUD	16d COMMON NAILS	16" O.C. ALONG EDGE
BUILT-UP CORNER STUDS	(4) 8d COMMON NAILS	TOENAIL
BUILT-UP GIRDS & BEAMS	16d COMMON NAILS @ 32" O.C. 3" x 0.131" NAILS @ 24" O.C. 3" 14 GAGE STAPLES @ 24" O.C.	FACE NAIL AT TOP & BOTTOM STAGGERED ON OPPOSITE SIDES
ROOF RAFTER OR TRUSS TO TOP PLATE OF WALL, BEAM, OR NAILER	(2) 20d COMMON NAILS (3) 3" x 0.131" NAILS (3) 3" 14 GAGE STAPLES	FACE NAIL AT ENDS & AT EACH SPLICE
ROOF SHEATHING ATTACHMENT	SIMPSON H10A UPLIFT ANCHOR @ EA. BEARING LOCATION	(9) 10d x 1 1/2" TO RAFTER/TRUSS (9) 10d x 1 1/2" TO PLATES
WALL SHEATHING ATTACHMENT	19/32" SHEATHING	*10d COMMON NAILS @ 6" O.C. ALONG PANEL EDGES & @ 12" O.C. ALONG INTERMEDIATE SUPPORTS
WALL SHEATHING ATTACHMENT	15/32" SHEATHING	*8d COMMON NAILS @ 6" O.C. ALONG PANEL EDGES & @ 12" O.C. ALONG INTERMEDIATE SUPPORTS

*NOTE: NAILS FOR ROOF AND WALL SHEATHING ARE TO BE DRIVEN TO A FLUSH CONDITION ONLY, DO NOT OVERDRIVE. PREVALENT OR SEVERE OVERDRIVING OF NAILS MAY REQUIRE THE REMOVAL AND REPLACEMENT OF THE SHEATHING AND/OR FRAMING MEMBERS AT THE CONTRACTOR'S EXPENSE, IF DEEMED NECESSARY BY THE ENGINEER OF RECORD.



3 FLOOR SECTION @ HOLD-DOWN ANCHOR
S3.1 SCALE: 1" = 1'-0"

NEST FEATHERS
ADDITION
3621 Munday Mill Road
Oakwood, GA 30566
COPYRIGHT © 2014 BY H. LLOYD HILL ARCHITECTS AND ASSOCIATES, INC.

1001-18	SCHEMATIC DESIGN	MARK	DATE	DESCRIPTION
R	N		18130L	
RA	N	LTB		
S	RET TITLE			

T I A L E T A I L S

S E T N M E R