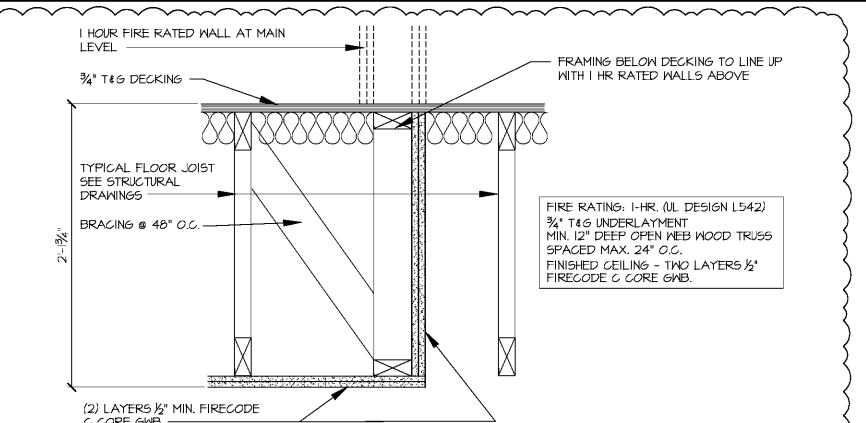
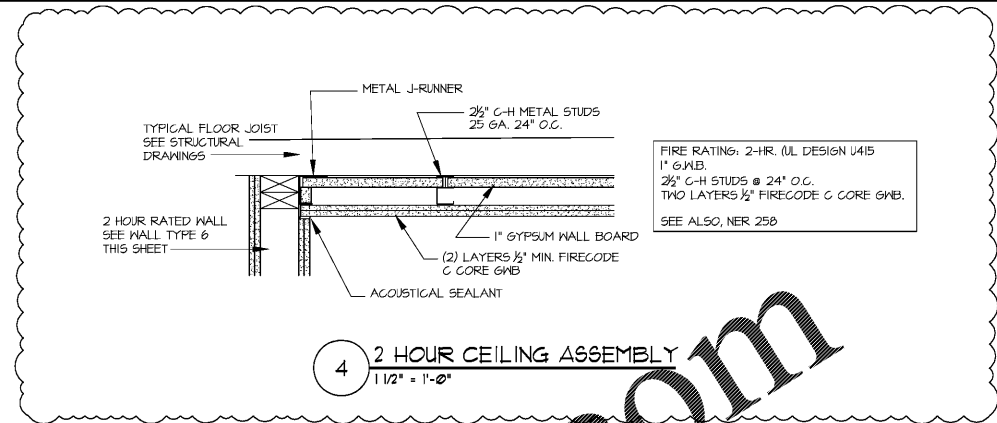


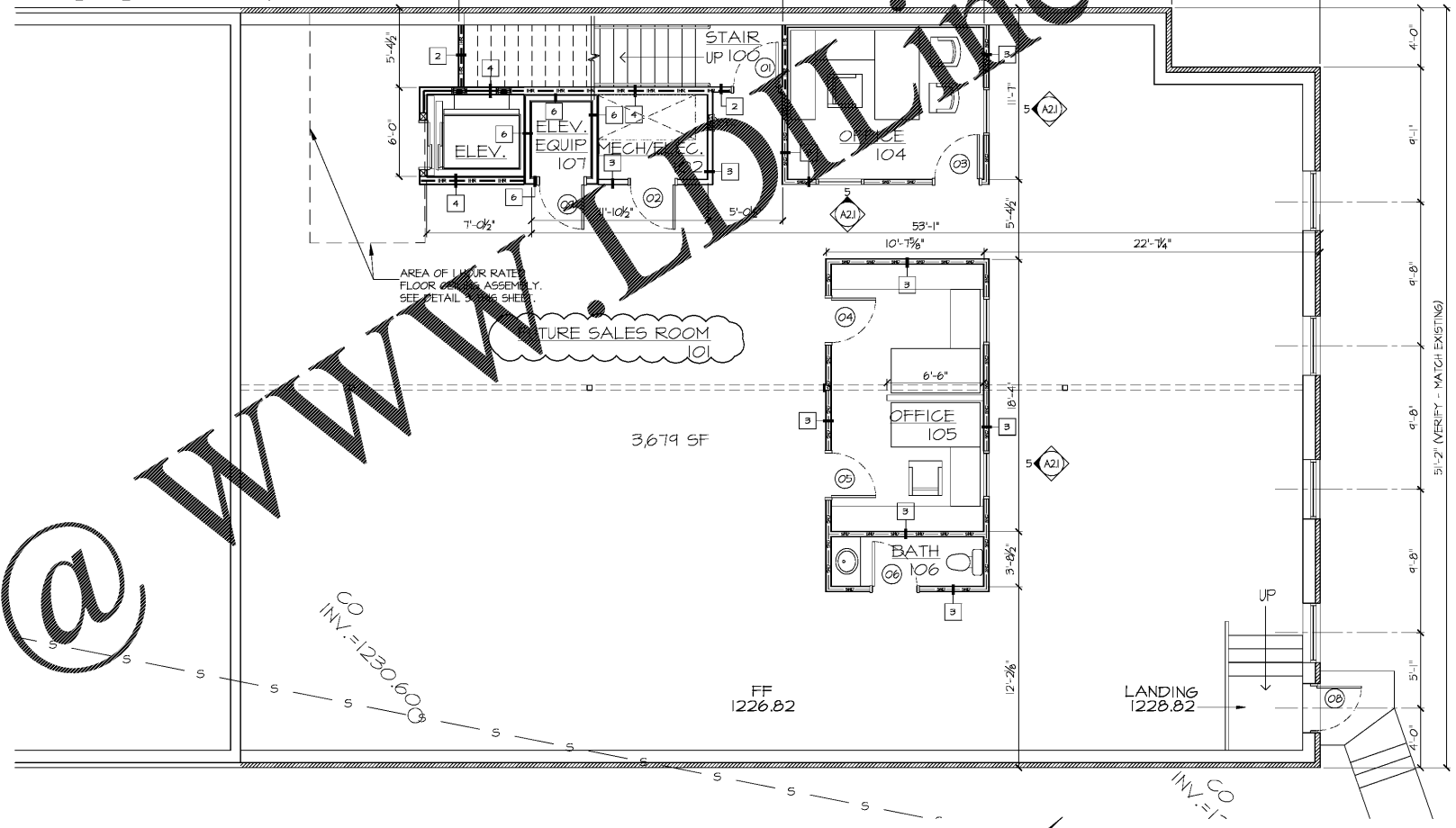
**2 PARTITION TYPES**  
 1/12" = 1'-0"



**3 FLOOR/CEILING ASSEMBLY**  
 1/12" = 1'-0"



**4 2 HOUR CEILING ASSEMBLY**  
 1/12" = 1'-0"



TAG	ROOM	FLOOR FINISH	BASE-BOARD	WALL MATERIAL	WALL FINISH	CEILING MATERIAL	CLG. HEIGHT	NOTE
100	STAIR	CONC.	RUBBER	GYP	PAINT	---	8'-8"	3
101	FUTURE SALES ROOM	CONC.	RUBBER	GYP	PAINT	NONE	---	---
102	MECHANICAL	CONC.	RUBBER	GYP	PAINT	NONE	---	---
103	ELECTRICAL	CONC.	RUBBER	GYP	PAINT	NONE	---	---
104	OFFICE	???	RUBBER	GYP	PAINT	ACT	8'-8"	---
105	BATHROOM	VGT	RUBBER	GYP	PAINT	ACT	8'-8"	---
106	OFFICE	???	RUBBER	GYP	PAINT	ACT	8'-8"	---
107	ELEVATOR EQUIPMENT	CONC.	RUBBER	GYP	PAINT	GYP. BD.	SEE DTL. 4	5
200	NEW FOYER	LVT	WOOD	GYP	PAINT	GYP. BD.	---	1
201	CAFETERIA	LVT	WOOD	GYP	PAINT	ACT/GYP. BD.	12'-4"	2
202	KITCHEN	VGT	RUBBER	GYP	FRP	ACT/GYP. BD.	---	3, 6
203	SHOWROOM	LVT	WOOD	GYP	PAINT	ACT/GYP. BD.	12'-4"	2
204	PASSAGE	VGT	RUBBER	GYP	PAINT	ACT	9'-0"	---
205	STAIRS	VGT	RUBBER	GYP	PAINT	ACT TYPE A	9'-0"	---

**NOTES:**  
 1. CEILING HEIGHT THIS AREA TO BE DETERMINED BY EXISTING CONDITIONS.  
 2. INTENT IS FOR CEILING TO BE AS HIGH AS POSSIBLE  
 3. GYPSUM BOARD ON BOTTOM OF TRUSSES (AT STAIR 100 LANDING - BOTTOM OF FLOOR TRUSSES)  
 4. OMIT  
 5. 2-HOUR RATED WALL AND CEILING ASSEMBLY. SEE DETAIL 4 THIS SHEET FOR CEILING ASSEMBLY.  
 6. FLOOR TO BE COMMERCIAL GRADE VCT. WALLS TO BE FRP PANELS OVER GYPSUM WALL BOARD. CEILING TO BE GYPSUM BOARD SEALED WITH EPOXY PAINT.

**1 FLOOR PLAN - BASEMENT LEVEL**  
 3/16" = 1'-0"

TAG	SIZE	ELEV	DOOR	FRAME	RATING	REMARKS	HARDWARE
100	(2) 3'-0" x 7'-0"	A	ALUM/GLASS	ALUMINUM	---	EXT.	1
101	(2) 3'-0" x 7'-0"	A	ALUM/GLASS	ALUMINUM	---	---	1
102	(2) 3'-0" x 7'-0"	C	WOOD	HM	20 MIN.	---	4
103	3'-0" x 7'-0"	C	WOOD	HM	20 MIN.	---	5
104	(2) 3'-0" x 7'-0"	B	HM	HM	---	EXT.	3
105	3'-0" x 7'-0"	C	WOOD	HM	---	---	3
01	3'-0" x 7'-0"	C	WOOD	HM	20 MIN.	---	3
02	3'-0" x 7'-0"	C	WOOD	HM	---	---	4
03	3'-0" x 7'-0"	C	WOOD	HM	---	---	3
04	3'-0" x 7'-0"	C	WOOD	HM	---	---	3
05	3'-0" x 7'-0"	C	WOOD	HM	---	---	3
06	3'-0" x 7'-0"	C	WOOD	HM	---	---	2
07	3'-0" x 7'-0"	C	WOOD	HM	---	---	3
08	3'-0" x 7'-0"	B	HM	HM	---	EXT.	3
09	3'-0" x 7'-0"	C	WOOD	HM	45 MIN.	---	3

UNLESS NOTED OTHERWISE ALL DOORS SHALL COMPLY WITH ACCESSIBILITY AND EGRESS REQUIREMENTS HM - HOLLOW METAL DOOR FRAMES TO BE 14 GA. GALVANIZED, PRIMED FOR PAINTING, INTERIOR KNOCK-DOWN FRAME, EXTERIOR TO BE WELDED WITH 4" HEAD  
 NOTE: SEE SHEET A1.1 FOR DOOR AND FRAME ELEVATIONS

**SYMBOLS LEGEND**

- ⊙ DOOR NUMBER
- ⊙ ELEVATION DETAIL NUMBER
- RM NAME ROOM CALL OUT ROOM NUMBER
- A PARTITION TYPE
- ⊠ F.E.C. FIRE EXTINGUISHER CABINET

**WALL NOTE**  
 ALL FIRE AND/OR SMOKE BARRIERS OR WALLS SHALL BE EFFECTIVELY STENCILED AND PERMANENTLY IDENTIFIED WITH SIGNS OR STENCILING ABOVE A DECORATIVE CEILING AND/OR IN CONCEALED SPACE WITH LETTERS MINIMUM OF TWO (2) INCHES HIGH ON A CONTRASTING BACKGROUND SPACED A MAXIMUM OF THREE (3) FEET ON CENTER WITH A MINIMUM OF ONE PER WALL OR BARRIER. THE HOURLY RATING SHALL BE INCLUDED ON ALL RATED BARRIERS OR WALLS. SUGGESTED WORDING: HOUR FIRE AND SMOKE BARRIER-PROTECT ALL OPENINGS.

**PARTITION TYPES**

WOOD STUD WALL - 4 1/2" TYP. U.L.C.  
 GYP. BOARD INSULATED  
 1-HR. FIRE RESISTANCE

SEE PARTITION TYPES DETAILS ON SHEET A1.2

**WALL PARTITION TYPES**

TAG (SEE DETAILS SHEET A1.1 FOR MORE INFO.)

- 1 NON-RATED PARTITION (2/A1.2 - TYPE 1) 2x4 WOOD STUDS / 4-1/2" THICK WALL SOUND INSULATED
- 2 1-HR PARTITION (2/A1.3 - TYPE 2) 2x4 WOOD STUDS / 4-3/4" THICK WALL SOUND INSULATED
- 3 NON-RATED PARTITION (2/A1.3 - TYPE 3) 3-1/2" TYP. STUD / 4-1/2" THICK WALL SOUND INSULATED
- 4 1-HR PARTITION (2/A1.3 - TYPE 4) 2x4 WOOD STUDS / 4-1/2" THICK WALL SOUND INSULATED
- 5 KNEE WALL 47" TALL (2/A1.3 - TYPE 5) 2x4 WOOD STUDS / 4-1/2" THICK WALL
- 6 2-HR PARTITION (2/A1.3 - TYPE 6) 2x4 WOOD STUDS / 6" THICK WALL

WALL PARTITION NOTES  
 1. ALL INTERIOR WALL PARTITIONS ARE TYPE 1 UNLESS NOTED OTHERWISE.  
 2. CONTRACTOR SHALL COORDINATE TRANSITION BETWEEN DIFFERENT PARTITION TYPES FOR CONTIGUOUS ALIGNED SURFACES.  
 3. 2x4 WOOD STUD INTERIOR BEARING WALLS SHALL HAVE GYPSUM BOARD FINISH FROM FINISH FLOOR TO BOTTOM OF 1955 BEARING (TYPICAL ALL LOCATIONS)