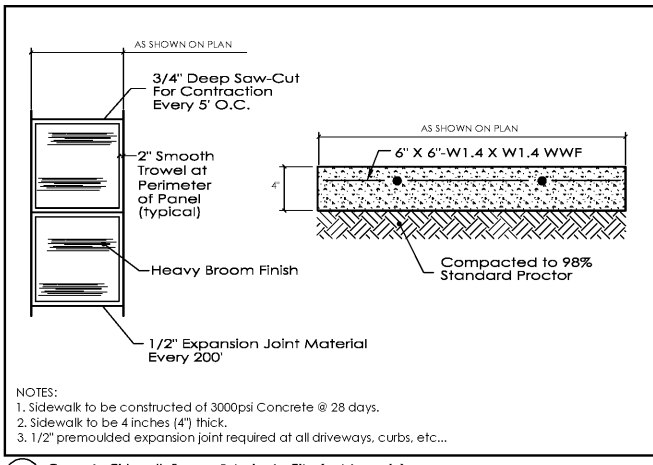
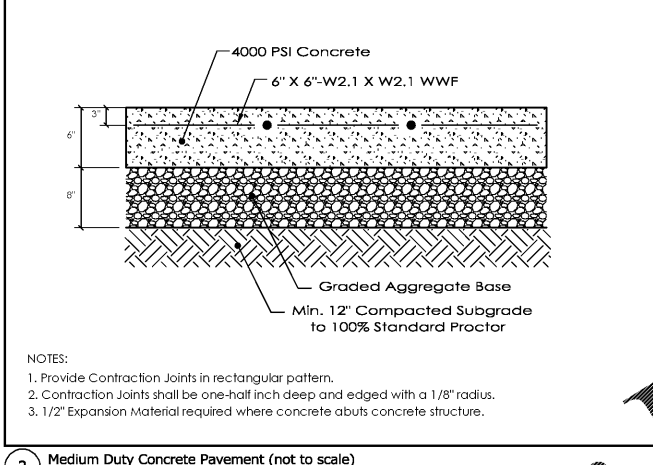


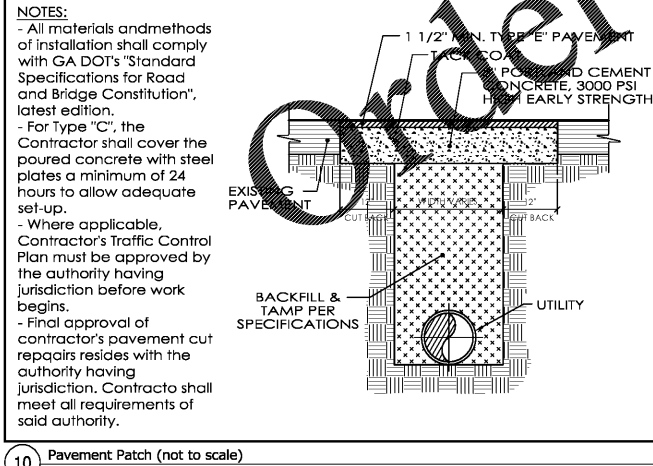
1 Medium Duty Asphalt Pavement (not to scale)



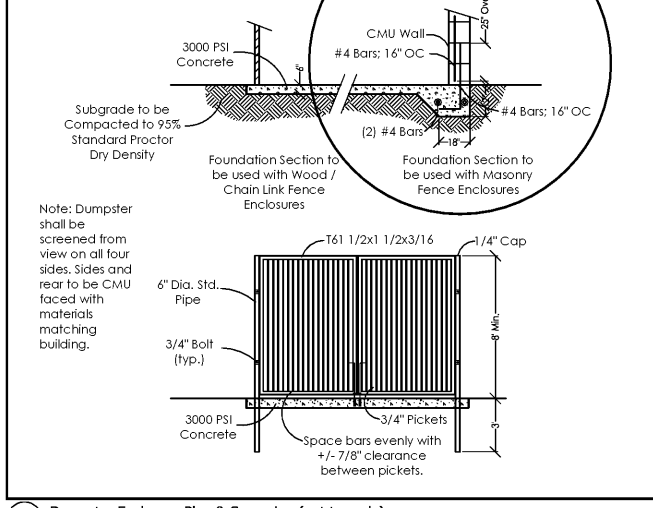
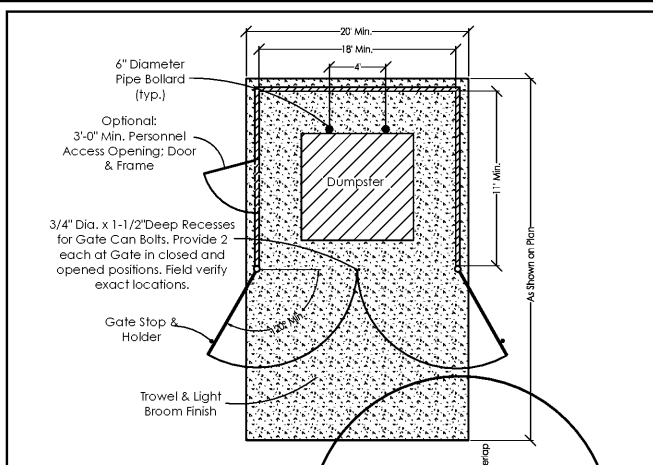
2 Concrete Sidewalk for use Interior to Site (not to scale)



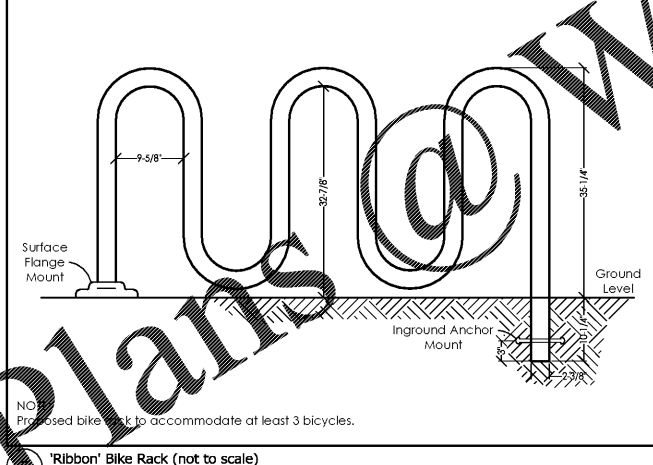
3 Medium Duty Concrete Pavement (not to scale)



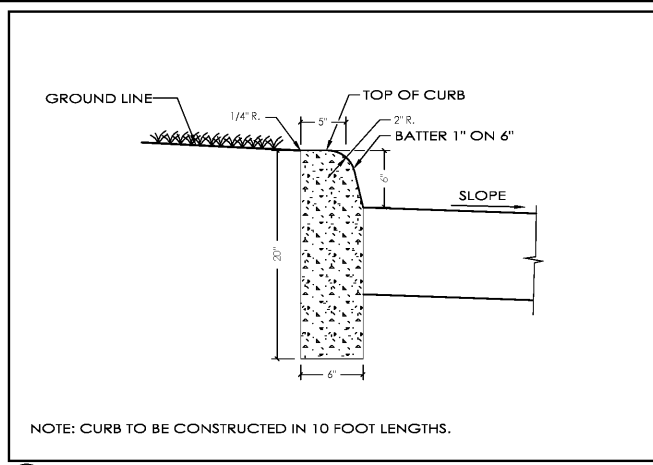
10 Pavement Patch (not to scale)



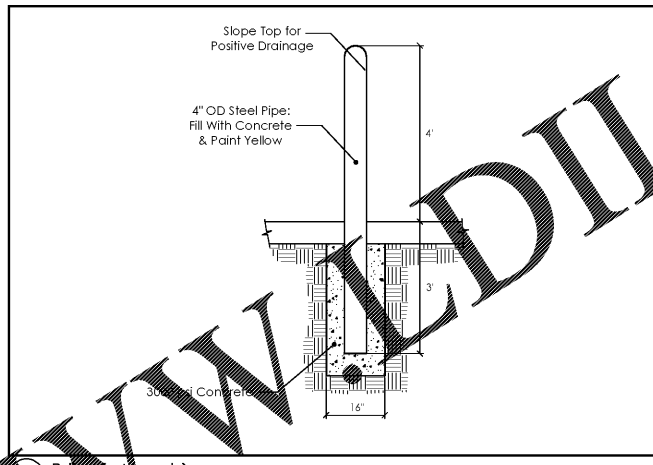
4 Dumpster Enclosure Plan & Screening (not to scale)



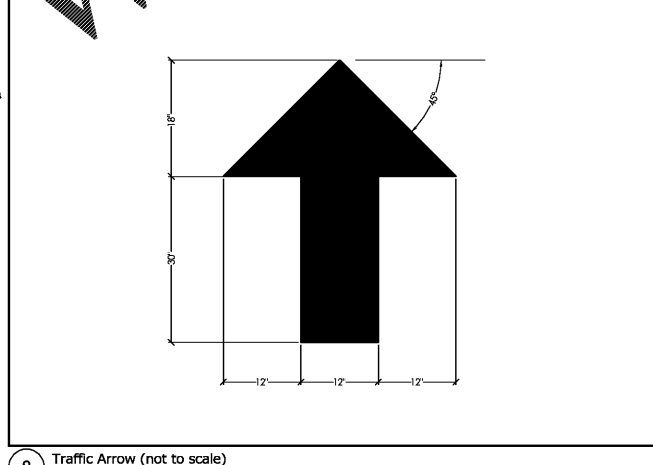
5 'Ribbon' Bike Rack (not to scale)



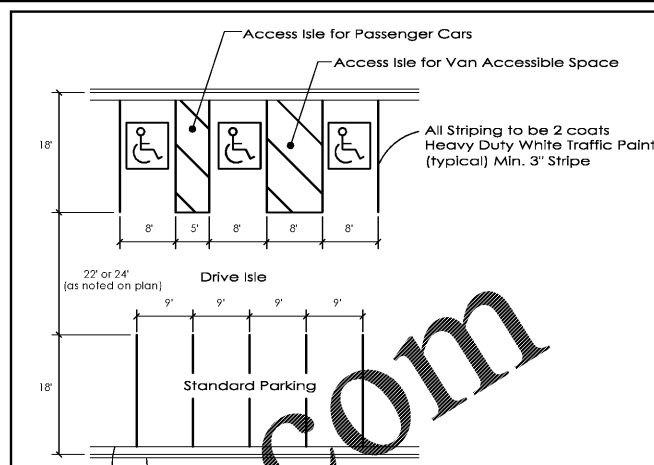
6 Concrete Header Curb (not to scale)



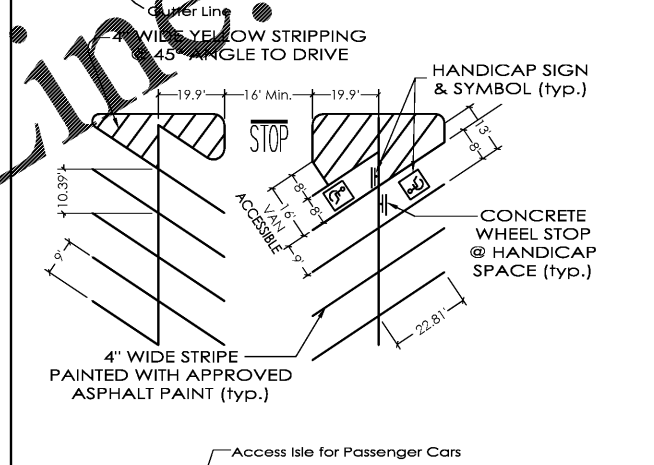
7 Bolt (not to scale)



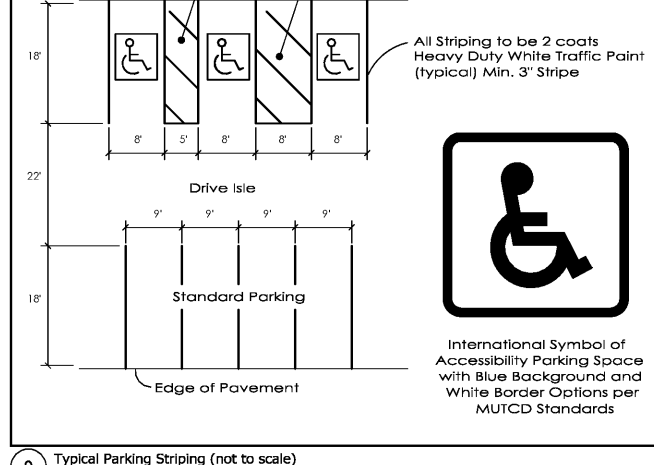
8 Traffic Arrow (not to scale)



9 Typical Parking Striping (not to scale)



Handicap Sign & Symbol (typ.)



International Symbol of Accessibility Parking Space with Blue Background and White Border Options per MUTCD Standards

Quality Civil Designs
Planners - Engineers - Environmental
Landscape Architecture

2144 Buford Hwy
Suite 212
Buford, GA 30518
Phones: 678.626.6723
www.QualityCivilDesigns.com

for the firm
Quality Civil Designs

**Nest Feathers
Gifts,
LLC**

3621 Mundy Mill Road

Parcel:
08025 00003

City of Oakwood
Land Lots 28 & 45,
8th District
Hall County
Georgia

Owner/Developer

Nest Feathers
3621 Mundy Mill Road
Oakwood, GA 30566

24 hour Emergency Contact
Michelle Bajjani
Phone: 678-641-0009
Email:
michelle@nestfeathercafe.com

Copyright
Quality Civil Designs, LLC

This drawing may be utilized only for the purpose of constructing or installing the work shown hereon, at the site of the work specified hereon. Any other use of this drawing, including without limitation any reproduction or alteration of this drawing, without the prior written approval of Quality Civil Designs, LLC is prohibited.

Revisions		
Rev. #	Date	Description
4	06-14-19	City & County Comments
3	04-25-19	City & County Comments
2	02-18-19	City Comments
1	02-14-19	Progress Set
0	12-21-18	Initial Submittal

**Construction
Details**

FN: 18-052

C-8.1