



PANDA RESTAURANT GROUP INC.
1683 Walnut Grove Ave.
Rosemead, California
91770
Telephone: 626.799.9898
Facsimile: 626.372.8288

All ideas, designs, arrangement and plans indicated or represented by this drawing are the property of Panda Express Inc. and were created for use on this specific project. None of these ideas, designs, arrangements or plans may be used by or disclosed to any person, firm, or corporation without the written permission of Panda Express Inc.

REVISIONS:

ISSUE DATE:

1	05.29.19 ISSUE FOR PERMIT
2	08.08.19 ISSUE FOR BID

DRAWN BY: JEL

PANDA PROJECT # - S4-20-D7060
C&P PROJECT # - 2190238

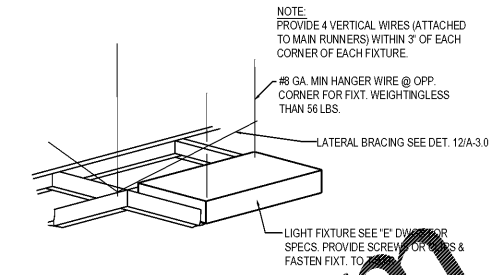


08.08.2019

PANDA EXPRESS
TRUE WARM AND WELCOME
3460 SANDY PLAINS RD, NE SUITE 210
MARIETTA, GA 30066

E-400

ELECTRICAL DETAILS, DIAGRAMS



LIGHT FIXTURE DETAIL 4
NOT TO SCALE E-400

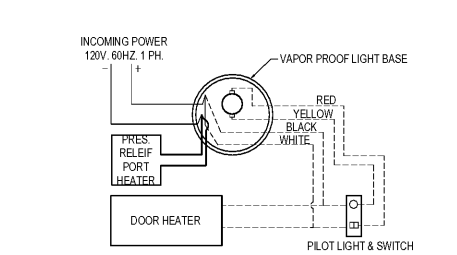
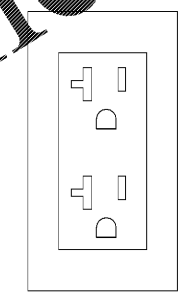
ALL OUTLETS TO MOUNT VERTICALLY WITH GROUND PLUG @ LOW POSITION, TYP. U.N.O.

1. IF SHOW WINDOW OUTLETS AT WHITE GYP. BO SOFFIT WHITE DEVICES WITH WHITE COVERPLATES.

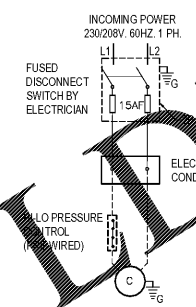
2. IF SHOW WINDOW OUTLETS AT DARK T-BAR CEILING, BLACK DEVICES WITH BLACK COVERPLATES.

ALL DINING ROOM; VERIFY COLOR OF OUTLET COVERPLATE WITH PANDA PM PRIOR TO INSTALL.

ALL OTHER OUTLETS IN KITCHEN, SERVICE AREA, AND RESTROOMS TO BE GREY DEVICES WITH STAINLESS STEEL COVERPLATES.

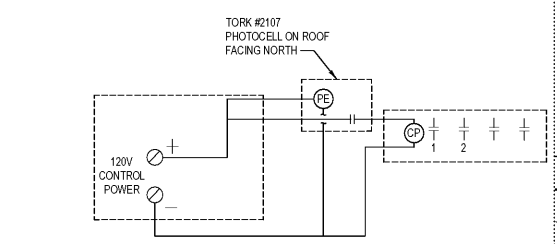


FREEZER LTG & DOOR HTR WIRING DIAGRAM 10
NOT TO SCALE E-400

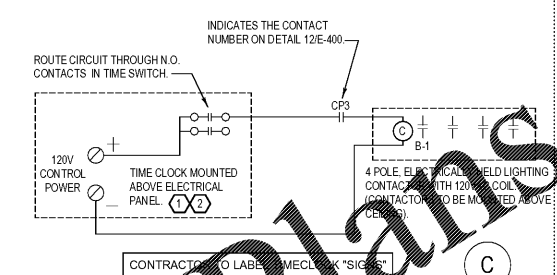


CONDENSING UNIT 7
NOT TO SCALE E-400

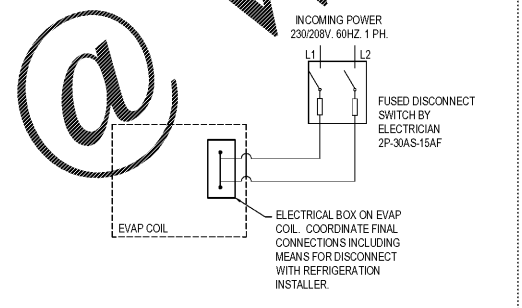
RECEPT. DIAGRAM 3
NOT TO SCALE E-400



TIME CLOCKS 12
NOT TO SCALE E-400



TIME CLOCKS 12
NOT TO SCALE E-400



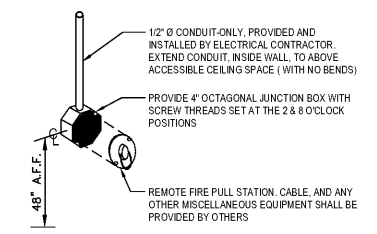
FREEZER EVAPORATOR COIL 9
NOT TO SCALE E-400

1. WIRING SHOULD BE DONE ACCORDING WITH NATIONAL AND LOCAL CODE.

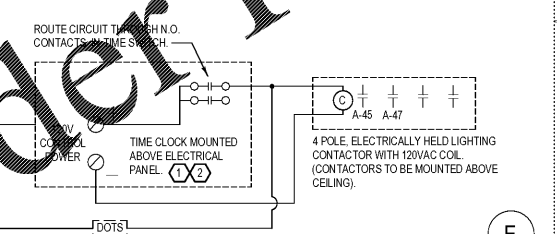
2. CHECK VOLTAGE ON CONDENSING UNIT AND EVAPORATOR COIL BEFORE ANY WORK IS DONE.

3. SOLID LINES TO BE WIRED BY LICENSED ELECTRICIAN ON SITE. DOTTED LINES ARE MANUFACTURE PRE-WIRED.

4. ANY PENETRATIONS THROUGH BOX SHALL BE SEALED AIR TIGHT.



ANSUL PULL STATION DETAIL 2
NOT TO SCALE E-400



DIGITAL OVERRIDE TIMER SWITCH SHALL BE INSTALLED AND PASS TO ARRIVE ON THE INTERIOR LIGHTING WHEN OPERATION IS REQUIRED OUTSIDE OF NORMALLY PROGRAMMED HOURS. OVERRIDE SWITCH SHALL BE SET TO PROVIDE 60 MINUTES OF EXTENDED OPERATING TIME. SWITCH SHALL BE WATTSTOPPER TS-400 OR EQUIVALENT.

CONTRACTOR TO LABEL TIMECLOCK "INSIDE LIGHTS"

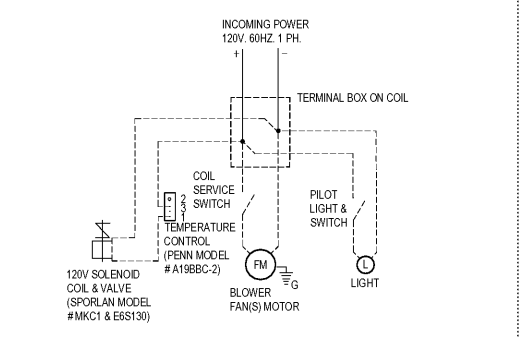
1 A MANUAL OVERRIDE SWITCH (MAXIMUM OVERRIDE PERIOD OF 2 HOURS) SHALL BE INCLUDED SO THAT MAINTENANCE PERSONNEL CAN EASILY OVERRIDE. FOR TESTING DURING DAYLIGHT HOURS.

2 TIME CLOCK SHALL HAVE BATTERY BACKUP.

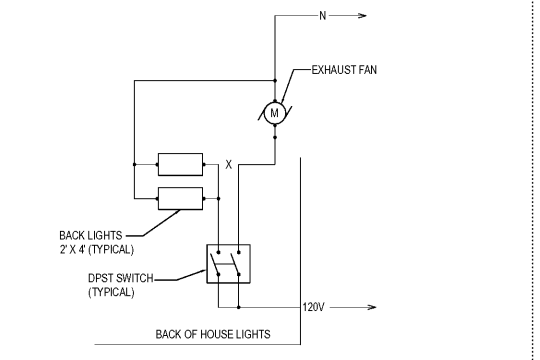
3 E.C. TO PROVIDE TWO ZONE TIMECLOCK MODEL NUMBER: INTERMATIC 2725CR OR EQUAL.

** G.C. AND ELECTRICIAN TO COORDINATE WITH PANDA PROJECT MANAGER FOR TIME SCHEDULE BEFORE FINAL SETTING ON TIME CLOCKS.

TIME CLOCKS 11
NOT TO SCALE E-400



COOLER EVAPORATOR COIL 8
NOT TO SCALE E-400



EXHAUST FAN CONTROL DIAGRAM 5
NOT TO SCALE E-400

NOT USED 1
NOT TO SCALE E-400

Order Plans

WWW.LDILine.com