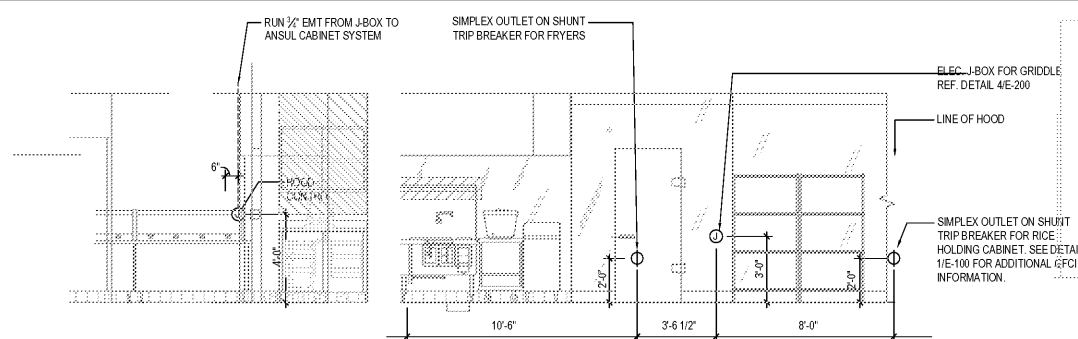
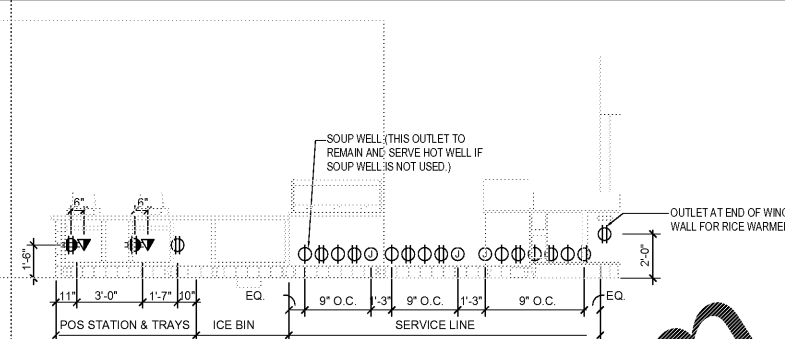


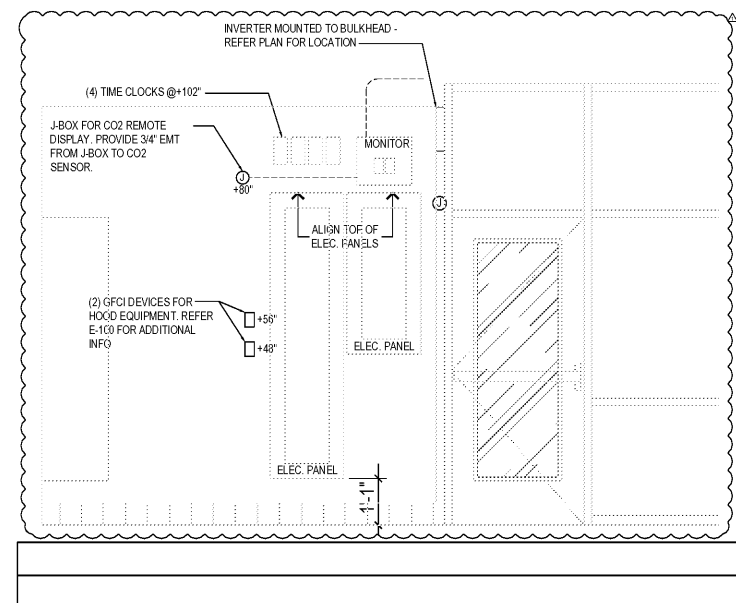
DINING ROOM MONITOR ELEVATION 8  
NOT TO SCALE E-200



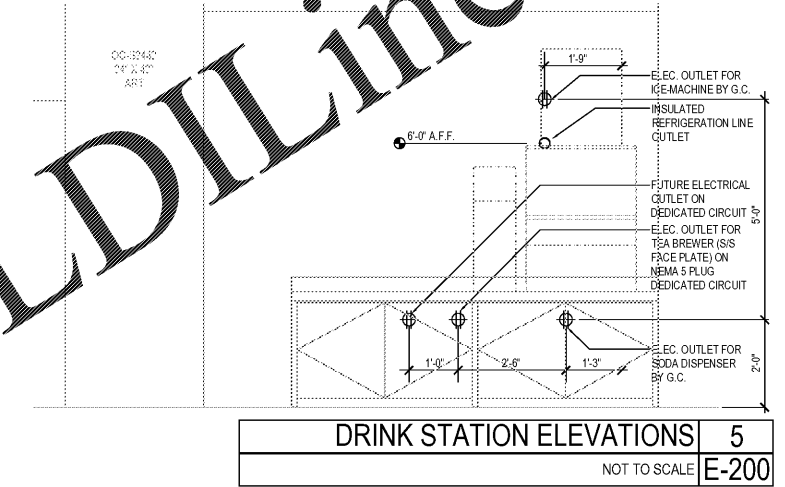
COOKLINE ELECTRICAL ELEVATIONS 6  
NOT TO SCALE E-200



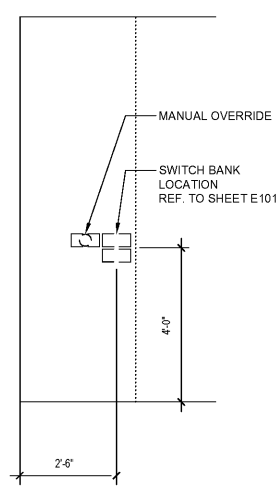
P.O.S. & SERVICE LINE ELEVATION 3  
NOT TO SCALE E-200



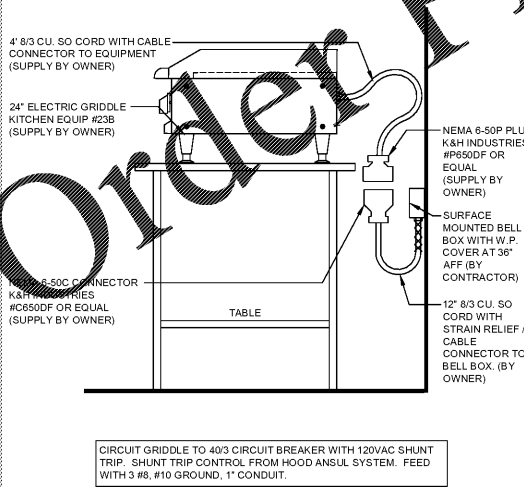
BOH REAR WALL ELEVATION 9  
NOT TO SCALE E-200



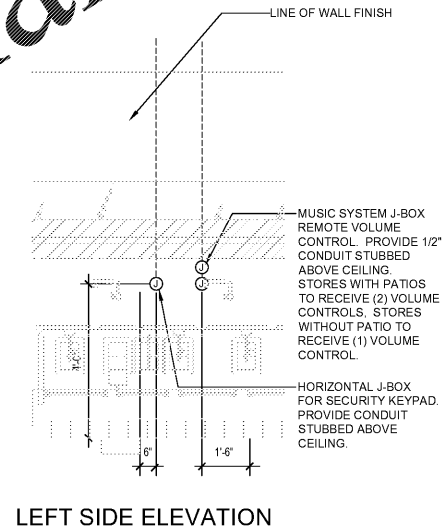
DRINK STATION ELEVATIONS 5  
NOT TO SCALE E-200



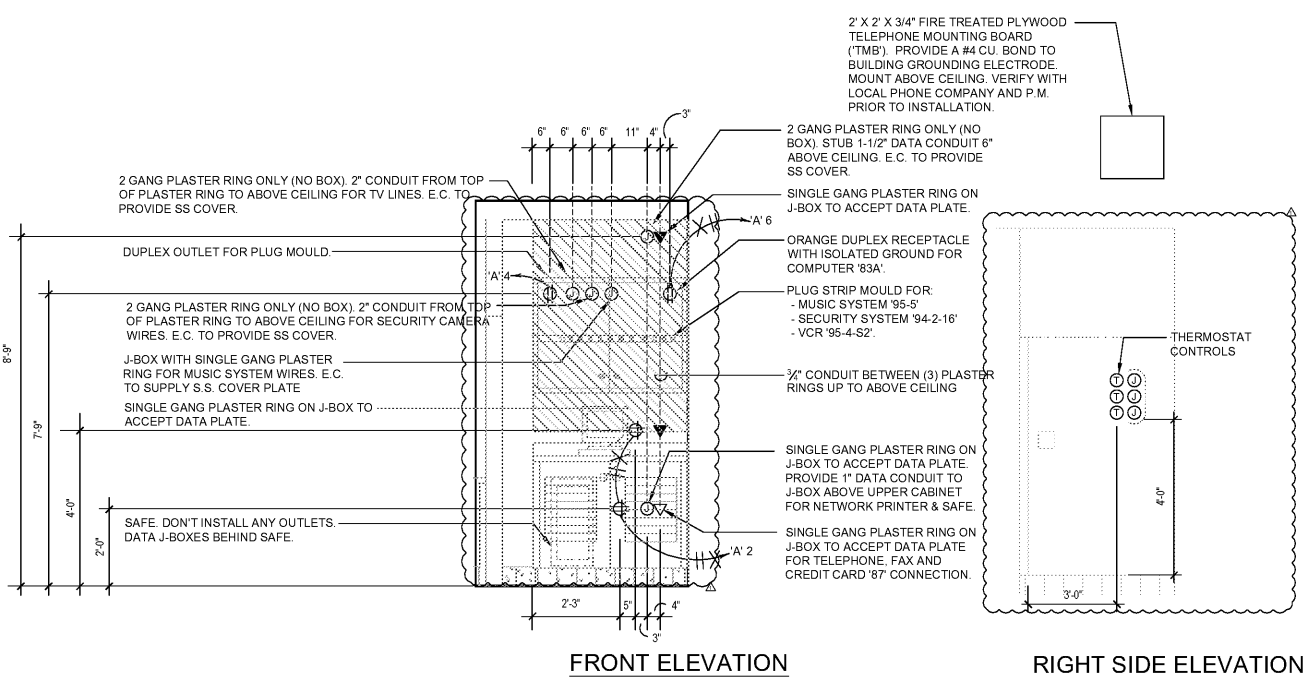
SWITCH BANK ELEV 7  
NOT TO SCALE E-200



GRIDDLE 23B (EG-24H) 4  
NOT TO SCALE E-200



LEFT SIDE ELEVATION



FRONT ELEVATION

RIGHT SIDE ELEVATION

MANAGER STATION ELEVATIONS 1  
NOT TO SCALE E-200



PANDA RESTAURANT GROUP INC.  
1683 Walnut Grove Ave.  
Rosemead, California 91770  
Telephone: 626.799.9898  
Facsimile: 626.372.8288

All ideas, designs, arrangement and plans indicated or represented by this drawing are the property of Panda Express Inc. and were created for use on this specific project. None of these ideas, designs, arrangements or plans may be used by or disclosed to any person, firm, or corporation without the written permission of Panda Express Inc.

REVISIONS:

1	08.08.19	ISSUE FOR BID
2	05.29.19	ISSUE FOR PERMIT
3	08.08.19	ISSUE FOR BID

DRAWN BY: JEL  
PANDA PROJECT #: S4-20-D7060  
C&P PROJECT #: 2190238



08.08.2019

PANDA EXPRESS  
TRUE WARM AND WELCOME  
3460 SANDY PLAINS RD, NE SUITE 210  
MARIETTA, GA 30066

E-200  
ELECTRICAL ELEVATIONS